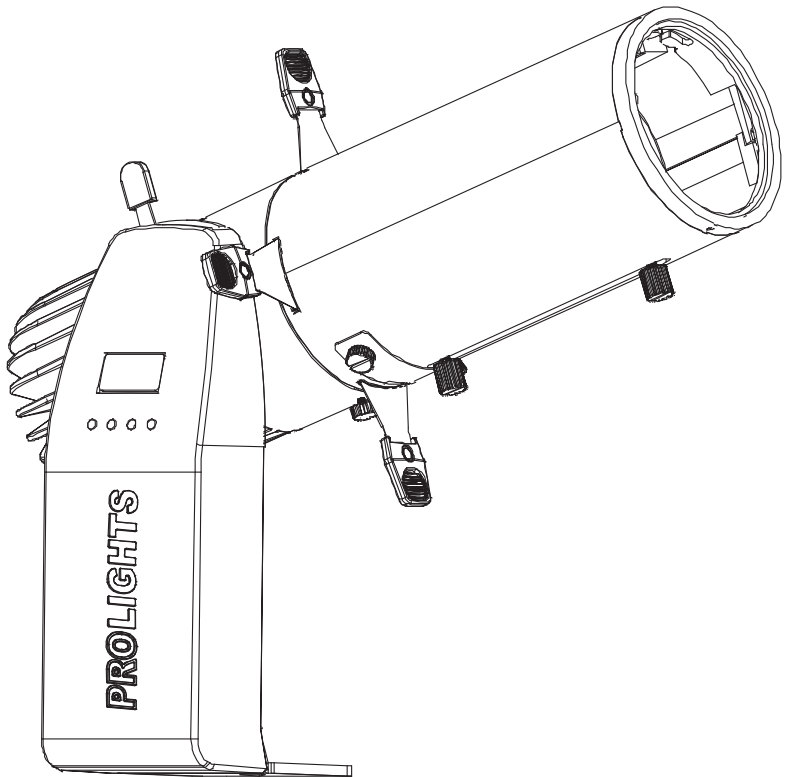


GALLERYECLFC

MINI LED ELLIPSOIDAL



USER MANUAL
MANUALE UTENTE

All rights reserved by Music & Lights S.r.l. No part of this instruction manual may be reproduced in any form or by any means for any commercial use.

In order to improve the quality of products, Music&Lights S.r.l. reserves the right to modify the characteristics stated in this instruction manual at any time and without prior notice.
All revisions and updates are available in the 'manuals' section on site www.musiclights.it

TABLE OF CONTENTS**Safety**

General instructions	2
Warnings and installation precautions	2

1 Introduction

1.1 Description and specifications	3
1.2 Operating elements and connections	5

2 Installation

2.1 Mounting	6
--------------------	---

3 Functions and settings

3.1 Operation	7
3.2 Basic	7
3.3 Menu structure	8
3.4 DMX mode	10
3.5 DMX configuration	10
3.6 Wireless setting	10
3.7 Channels DMX	11
3.8 Setting	12
3.9 Fixture settings	12
..... Dimmer	12
..... White calibration	12
..... Led frequency	12
..... Reset	13
3.10 Fixture Information	13
3.11 Operations in automatic mode	13
..... Master/Slave	13
..... Sequence	13
..... Static	13

4 Maintenance

4.1 Maintenance and cleaning the unit	15
4.2 Trouble shooting	15

Packing content	• GALLERYECLFC
	• User manual




WARNING! Before carrying out any operations with the unit, carefully read this instruction manual and keep it with care for future reference. It contains important information about the installation, usage and maintenance of the unit.



SAFETY

General instruction

- The products referred to in this manual conform to the European Community Directives and are therefore marked with **CE**.
- The unit is supplied with hazardous network voltage (230V~). Leave servicing to skilled personnel only. Never make any modifications on the unit not described in this instruction manual, otherwise you will risk an electric shock.
- Connection must be made to a power supply system fitted with efficient earthing (Class I appliance according to standard EN 60598-1). It is, moreover, recommended to protect the supply lines of the units from indirect contact and/or shorting to earth by using appropriately sized residual current devices.
- The connection to the main network of electric distribution must be carried out by a qualified electrical installer. Check that the main frequency and voltage correspond to those for which the unit is designed as given on the electrical data label.
- This unit is not for home use, only professional applications.
- Never use the fixture under the following conditions:
 - in places subject to vibrations or bumps;
 - in places with a temperature of over 45 °C.
- Make certain that no inflammable liquids, water or metal objects enter the fixture.
- Do not dismantle or modify the fixture.
- All work must always be carried out by qualified technical personnel. Contact the nearest sales point for an inspection or contact the manufacturer directly.
- If the unit is to be put out of operation definitively, take it to a local recycling  plant for a disposal which is not harmful to the environment.

Warnings and installation precautions

- If this device will be operated in any way different to the one described in this manual, it may suffer damage and the guarantee becomes void. Furthermore, any other operation may lead to dangers like short circuit, burns, electric shock, etc.
- Before starting any maintenance work or cleaning the projector, cut off power from the main supply.
- Always additionally secure the projector with the safety rope. When carrying out any work, always comply scrupulously with all the regulations (particularly regarding safety) currently in force in the country in which the fixture's being used.
- Install the fixture in a well ventilated place.
- Keep any inflammable material at a safe distance from the fixture.
- Shields, lenses or ultraviolet screens shall be changed if they have become damaged to such an extent that their effectiveness is impaired.
- The lamp (LED) shall be changed if it has become damaged or thermally deformed.
- Never look directly at the light beam. Please note that fast changes in lighting, e. g. flashing light, may trigger epileptic seizures in photosensitive persons or persons with epilepsy.
- Do not touch the product's housing when operating because it may be very hot.
- This product was designed and built strictly for the use indicated in this documentation. Any other use, not expressly indicated here, could compromise the good condition/operation of the product and/or be a source of danger.
- We decline any liability deriving from improper use of the product.

- 1 - INTRODUCTION

1.1 GALLERYECLFC - DESCRIPTION AND TECHNICAL SPECIFICATIONS

GALLERY ECL is a compact LED ellipsoidal luminaire designed for gallery, product, and shop window lighting. Featuring a beautiful controllable beam, and stunning aesthetics, the GALLERY ECL is a flexible tool for commercial and product lighting.

LIGHT SOURCE

- Source: 60W custom RGBW LEDs
- Luminous Flux: (19°) 458 lm (36°) 570lm
- Lux: (19°) 570lux @3m Full
- Lux: (36°) 166lux @3m Full
- Source Life Expectancy: >30.000 h

OPTICS

- Zoom: 19°~36 ° Manual
- Lens Type: HQ glass lens optics
- Focus: Manual

COLOR SYSTEM

- Color Mixing: RGBW/FC

DYNAMIC EFFECTS

- Static Color Mode: Selection of static color
- Manual Color Mode: Manual adjustment of color
- Auto Mode: Built-in programs with execution speed adjustment

BODY

- Body: Sturdy die-cast aluminium body conceived for long-time durability
- Body Color: Black

CONTROL

- Protocols: WDMX
- Dmx Channels: 4-6-11 ch
- W-DMX: Included, Wireless Solution receiver
- Display: Black OLED high resolution display

ELECTRONICS

- Dimmer: Linear 0~100% electronic dimmer
- Dimmer Curves: 4 Different dimming curves available
- Strobe/Shutter: 1-30 Hz, electronic
- Operating Temperature: -10° ~ +45°
- Flicker: Flicker free operation

ELECTRICAL

- Power Supply: 100-240V – 50/60Hz
- Power Consumption (at 230V): 43,5 W
- Power Consumption (at 120V): 43,8 W

PHYSICAL

- Power Connection: 16A Shuko plug
- IP: 30
- Cooling: Natural cooling of the peculiar chassis and to absence of fans
- Dimensions (WxHxD): 183x230x338mm
- Weight: 2.9kg

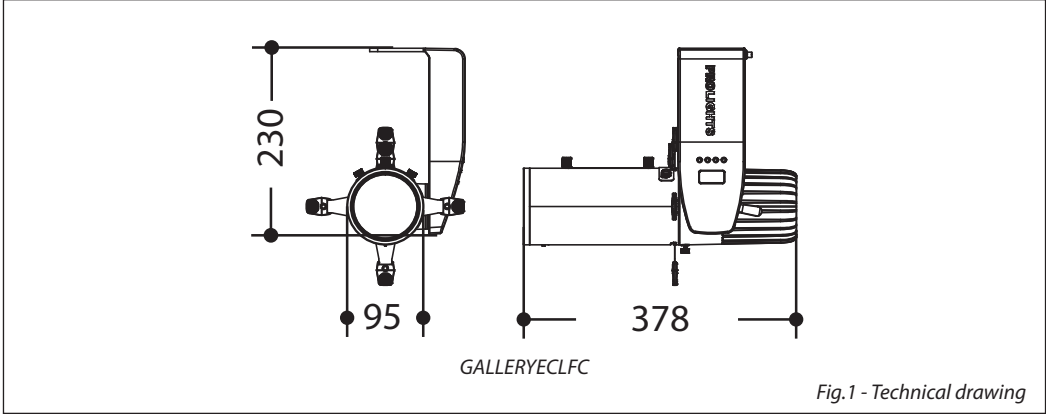
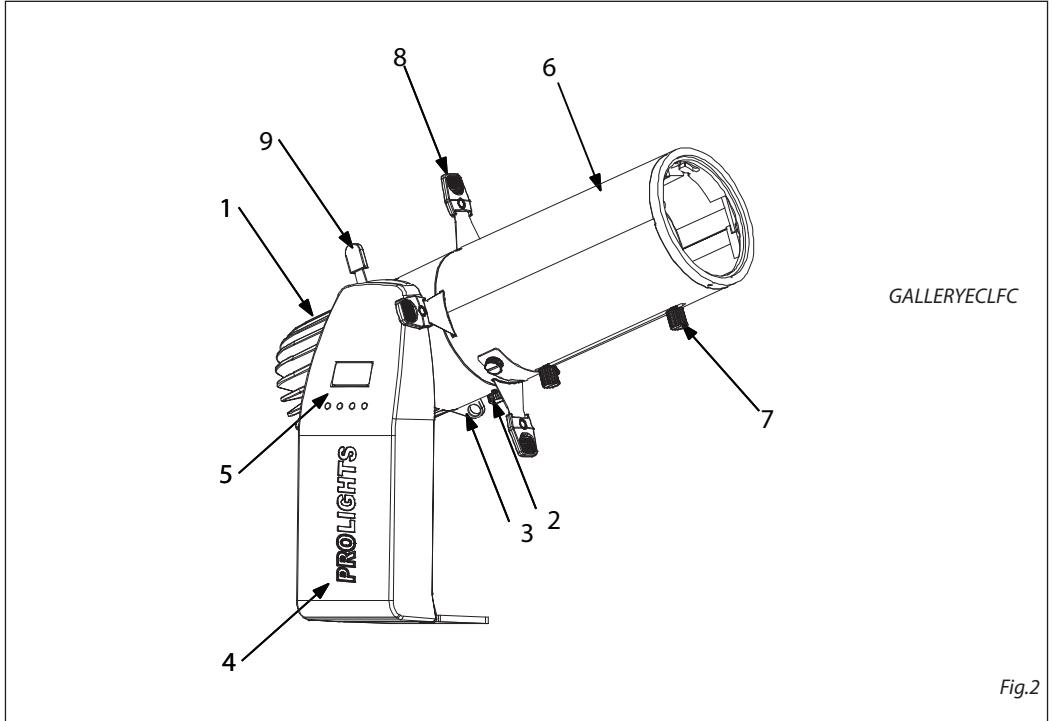


Fig.1 - Technical drawing

1.2 OPERATING ELEMENTS AND CONNECTIONS



1. GALLERYECLFC
2. LOCKING KNOB for optics profiler
3. SAFETY EYE to attach safety cable.
4. ROTARY ARM
5. CONTROL PANEL with display and 4 buttons used to access the control panel functions and manage them
6. GALLERYECLFC optics profiler
7. FOCUS AND ZOOM ADJUSTING SCREW to zoom the projected image clearly
8. SHUTTER
9. FIXING TILT

- 2 - INSTALLATION

2.1 MOUNTING

GALLERYECLFC is designed for applications in exhibition areas, commercial spaces, museums, restaurant, churches, and any other installation where size is an important factor. For fixing, stable mounting clips are required. The mounting place must be of sufficient stability and be able to support a weight of 10 times of the unit's weight.

When carrying out any installation, always comply scrupulously with all the regulations (particularly regarding safety) currently in force in the country in which the fixture's being used.

- Install the projector at a suitable location.
- Always additionally secure the projector with the safety rope from falling down. For this purpose, fasten the safety rope at a suitable position so that the maximum fall of the projector will be 20 cm. Then adjust the projector and use the knobs.

NOTE - For the installation of the GALLERYECLDY make sure that the ridge of the adaptor is in with the groove of the track. Turn knobs 90° to connect the adaptor to the circuit. Please see the figure 4.

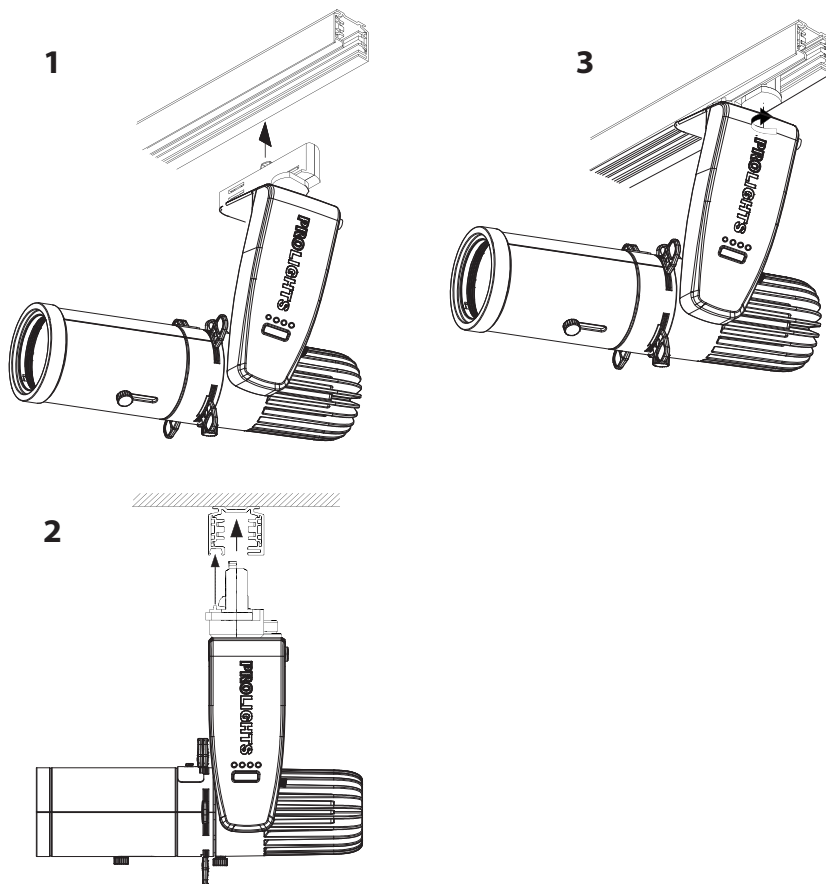


Fig.4

- 3 - FUNCTIONS AND SETTINGS

3.1 OPERATION

To turn on the GALLERYECLFC connect the supplied main cable to a socket (100-240 VAC-50/60 Hz). Then the unit is ready for operation. You can also adjust the dimmer and zoom using the knobs.

To switch off, disconnect the mains plug from the socket. For a more convenient operation it is recommended to connect the unit to a socket which can be switched on and off via a light switch.

NOTE - To operate the projector GALLERYECL you need a system track. The track system must be installed and maintained by a suitably qualified person in compliance with latest construction and relevant legislation. It is the responsibility of the installer to ensure the electrical, mechanical and thermal compatibility of the track system and the fittings. The connection to the main network of electric distribution must be carried out by a qualified electrical installer.

ATTENTION - Mains voltage must be switched off before mounting; maintenance; insert and replace Adaptors; spots and luminaires.

3.2 BASIC

Access control panel functions using the four panel buttons located directly underneath the LED Display (fig.5).

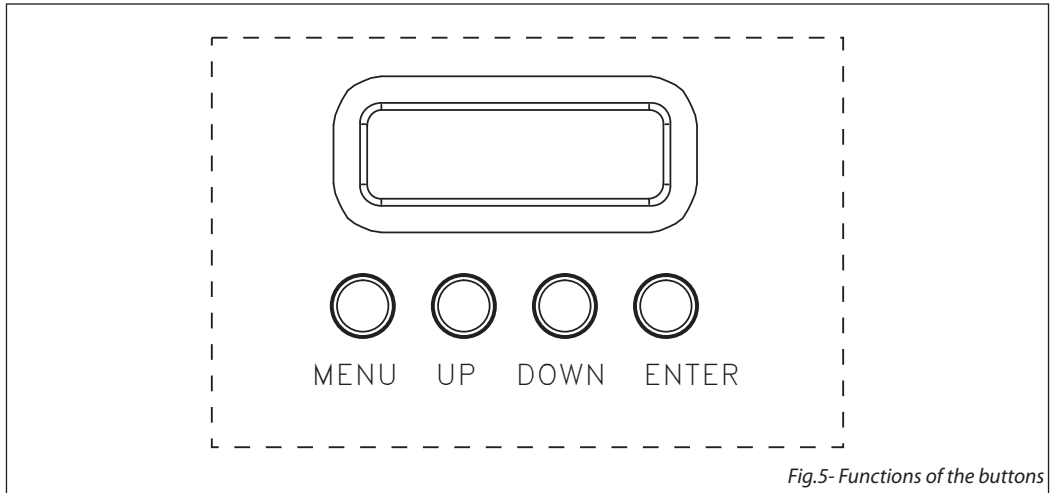


Fig.5- Functions of the buttons

MENU	UP	DOWN	ENTER
Used to access the menu or to return a previous menu option	Navigates downwards through the menu list and increases the numeric value when in a function	Navigates upwards through the menu list and decreases the numeric value when in a function	Used to select and store the current menu or confirm the current function value or option within a menu

3.3 MENU STRUCTURE

	MENU	
1	CONNECT	⇨ DMX Address ⇨ Value (001-512) DMX Mode ⇨ 4CH 6CH 11CH Wireless ⇨ Receive On/Off Receive Reset
2	SETUP	⇨ Screen Back Light ⇨ On 10S 20S 30S Flip Display ⇨ NO-Yes Key Lock ⇨ NO-Yes
3	ADVANCED	⇨ Dimmer Mode ⇨ Off Dimmer 1 Dimmer 2 Dimmer 3 White Balance ⇨ Off Adjust ⇨ Red <125-255> Green <125-255> Blue <125-255> White <125-255> Led Frequency ⇨ 600Hz 1200 Hz 2000 Hz 4000 Hz 6000Hz 25kHz Reset Factory ⇨ NO-Yes
4	INFORMATION	⇨ Fixture Hours ⇨ 0-9999 Temperature ⇨ 58°C Version ⇨ V1.0
5	STANDALONE	⇨ Master/Slave ⇨ Master/Slave Effects ⇨ Show 1 Show 2 Show 3 Speed 1~100 Show 4 Show 5

Static	Fixed Color	⇒	R	RW
			G	GW
			B	BW
			W	RGW
			GB	RBW
			RB	GBW
			RG	RGBW
			RGB	
			Color Temperature	⇒
	4000K			
	5000K			
	6000K			
	7000K			
	8000K			
	Manual Color	⇒	9000K	
10000K				
Red			<0-255>	
Green			<0-255>	
Blue			<0-255>	
White			<0-255>	

3.4 DMX MODE

- Press the button MENU so many times until the display shows **DMX ADDRESS**, and press the button ENTER to confirm.
- Press UP/DOWN button to select the desired value (**001-512**). Press and hold to scroll quickly.
- Press ENTER button to store.
- Press the MENU button to go back or to meet the waiting time to exit the setup menu.

To able to operate the GALLERYECLFC/TRWD with a light controller, adjust the DMX start address for the first a DMX channel. If e. g. address 33 on the controller is provided for controlling the function of the first DMX channel, adjust the start address 33 on the GALLERYECLFC/TRWD. The other functions of the light effect panel are then automatically assigned to the following addresses.

An example with the start address 33 is shown below:

3.5 DMX CONFIGURATION

GALLERYECLFC/TRWD is equipped with different DMX configuration.

- Press the button MENU so many times until shows **DMX CHANNEL**, and press the button ENTER to confirm.
- Select the desired DMX configuration (**4CH - 6CH - 11CH**) through the buttons UP/DOWN.

The tables on page 14 indicate the operating mode and DMX value.

3.6 WIRELESS SETTING

To set the wireless mode refer to the following guide:

- Press the MENU button until the display shows **Wireless Setting**, then press the ENTER button.
- Use the UP/DOWN button until the display reads **Wireless Receive**, and then press the ENTER button and select the **ON** mode.
- Press the MENU button to go back or to meet the waiting time to exit the setup menu.

NOTE - After you complete these steps, you have to synchronize with any wifi unit with which you want to communicate by pressing the sync button present on the same. Then connect any DMX console to wifi unit for to open the communication with the GALLERYECLFC/TRWD unit.

- To reset the unit press the MENU button until the display shows **Wireless Reset**, then press the ENTER button.
- Use the UP/DOWN button until the display reads **Yes**, and then press the ENTER button.

Press the MENU button to go back or to meet the waiting time to exit the setup menu.

Number of DMX channels	Start address (example)	DMX Address occupied	Next possible start address for unit No. 1	Next possible start address for unit No. 2	Next possible start address for unit No. 3
11	33	33-43	44	55	65

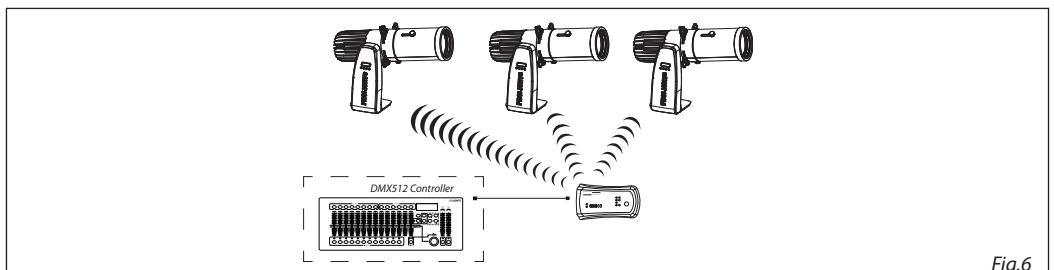


Fig.6

3.7 CHANNELS DMX

4 CANALI

MODE 4 Ch	FUNCTION	DMX Value
1	RED 0~100%	000 - 255
2	GREEN 0~100%	000 - 255
3	BLUE 0~100%	000 - 255
4	WHITE 0~100%	000 - 255

6 CANALI

MODE 6 Ch	FUNCTION	DMX Value
1	DIMMER 0~100%	000 - 255
2	RED 0~100%	000 - 255
3	GREEN 0~100%	000 - 255
4	BLUE 0~100%	000 - 255
5	WHITE 0~100%	000 - 255
6	STROBE NO Function Strobe Slow to Fast	000 - 010 011 - 255

11 CANALI

MODE 11 Ch	FUNCTION	DMX Value
1	DIMMER 0~100%	000 - 255
2	RED 0~100%	000 - 255
3	GREEN 0~100%	000 - 255
4	BLUE 0~100%	000 - 255
5	WHITE 0~100%	000 - 255
6	STROBE NO Function Strobe Slow to Fast	000 - 010 011 - 255

11 CANALI

MODE 11 Ch	FUNCTION	DMX Value	
7	COLOR MACRO No Function R 100%, G 0~100%, B 0% R 100%~0%, G 100%, B 0% R 0%, G 100%, B 0~100% R 0% G 100%~0% B 100% R 0%~100% G 0% B 100% R 100% G 0% B 100%~0% R 100% G 0%~100% B 0%~100% R 100%~0% G 100%~0% B 100% R 100% G 100% B 100%	000 - 010 011 - 030 031 - 050 051 - 070 071 - 090 091 - 110 111 - 130 131 - 150 151 - 170 171 - 200 201 - 205 206 - 210 211 - 215 216 - 220 221 - 225 226 - 230 231 - 235 236 - 240 241 - 245 246 - 250 251 - 255	
	COLOR TEMPERATURE NO function 3000k 4000k 5000k 6000k 7000k 8000k 9000k 10000k NO function	000 - 005 006 - 039 040 - 069 070 - 099 100 - 129 130 - 159 160 - 189 190 - 219 220 - 250 251 - 255	
	AUTO PROGRAMS No Function Auto Program 1 Auto Program 2 Auto Program 3 Auto Program 4 Auto Program 5(Auto Program1- 4)	000 - 010 011 - 060 061 - 110 111 - 160 161 - 210 211 - 255	
	AUTO SPEED Auto speed slow to fast	000 - 255	
	11	DIMMER SPEED MODE Preset dimmer speed from display menu Dimmer speed mode off Dimmer speed mode1 (fast speed) Dimmer speed mode2 (middle speed) Dimmer speed mode3 (slow speed)	000 - 051 052 - 101 102 - 152 153 - 203 204 - 255

3.8 SETTINGS

You can change the parameters for the device by following these steps:

SCREEN

You can change the following parameters related to the display, following the same procedure:

- Press the ENTER button to access the main menu.
- Press the UP / DOWN keys to scroll the menu, select the **Set Up** icon, then press the ENTER button to enter the next menu.
- Press UP / DOWN to scroll through the menu, then select **Screen**, and press the ENTER button to enter the next menu.
- Press UP / DOWN to scroll through the menu, and then select one of the following settings for the display and press the ENTER key to display it.
 - **Back Light** - Backlight display Auto Off. This feature allows you to automatically turn off the backlight after a specified time that you can set using the arrow buttons. To have the display always on select **Always On** or choose another value to turn off the display after the amount of time you choose.
 - **Flip Display** - Orientation of the display. This function allows you to rotate the display 180° to get a better view of the display when the unit is hanging upside down. Select **YES** to activate or **NO** to disable this function.
 - **Key Lock** - Lock keys. With this function, you can lock the buttons on the control panel. If this function is activated, the keys are automatically locked. To disable or temporarily disable the key lock function, press the buttons in the following order to regain access to menu commands: UP, DOWN, UP, DOWN, ENTER. Select **YES** to activate or **NO** to disable.
- Press the ENTER button to confirm your choice.
- Press the LEFT button repeatedly to exit the menu and save changes.

3.9 FIXTURE SETTINGS

It is possible to change the parameter value in the following way:

DIMMER

- Enter in Dimmer mode to select specific dimming curve, press the button MENU so many times until shows **DIM MODE**, and press the button ENTER to confirm.
- Press the button UP/DOWN to select **OFF - DIM1 - DIM2 - DIM3**.
- Press ENTER button to store.
- Press the MENU button to go back or to meet the waiting time to exit the setup menu.

WHITE CALIBRATION

- Press the button MENU then press the button UP/DOWN so many times until show **WHITE CALIBRATION**. Press the button ENTER to confirm.
- Select the color **Red - Green - Blue - White** through the buttons UP/DOWN. Press the button ENTER to confirm.
- Set the value (125 - 255), using the buttons UP/DOWN.
- Continue until the desired setting is obtained.
- Press the MENU button to go back or to meet the waiting time to exit the setup menu.

LED FREQUENCY

- To adjust the frequency of the LEDs, press the MENU button repeatedly until the display shows **LED Frequency**, and then press the ENTER button.
- Select the frequency (**600Hz - 1200Hz - 2000Hz - 4000Hz - 6000Hz - 25kHz**) using the UP/DOWN buttons.
- To confirm, press the ENTER key.
- Press the MENU button to go back or wait a few seconds to exit the setup menu.

RESET FACTORY

Selezionare questa funzione per ripristinare l'unità alle impostazioni di fabbrica:

- To activate **RESET FACTORY** display press the button MENU so many times until shows **RESET FACTORY**, and press the button ENTER to confirm.
- Press ENTER button to confirm the selection.
- Press the MENU button to go back or to meet the waiting time to exit from the setup menu automatically.

3. 10 FIXTURE INFORMATION

To view all the information on the device, proceed as follows:

- Press the ENTER button to access the main menu.
- Press the UP/DOWN button to scroll the menu, select the icon Information, then press the ENTER button to enter the next menu.
- Press the UP/DOWN button to scroll through the menu, then select one of the following information and press the ENTER button to display it.
 - **Fixture Time** - Through the **Fixture Time** function you can display the operating time of the projector.
 - **Temperature** - Through the **Temperature** function can be displayed the temperature inside the fixture, near the lamp. The temperature can be displayed in degrees Celsius or Fahrenheit.
 - **Software Version** - Through **Software Version** function you can display the currently installed software version.
- Press the LEFT button repeatedly to exit the menu.

3. 11 OPERATIONS IN AUTOMATIC MODE

MASTER SLAVE

Press the UP/DOWN button to scroll through the menu, select **Master/Slave** and press ENTER to confirm your choice.

- Press the UP/DOWN button to select the mode of operation:
 - **Master**, if the unit is connected in series with other units and it acts as the Master;
 - **Slave**, if the unit is not connected to other units.
- Press the ENTER button to confirm your choice.

EFFECTS

The unit independently runs through its show. Before you send an automatic program you need to set the drive as Master/Alone:

- Press the ENTER button to access the main menu.
- Press the UP/DOWN button to scroll the menu, select the **Effects** icon, then press the ENTER button to enter the next menu.
- Press the UP/DOWN button to select the mode of operation: **Effects 1, Effects 2, Effects 3, Effects 4, Effects 5**
- Press the ENTER button to confirm your choice.
- Press the LEFT button repeatedly to exit the menu and save changes.

The unit will go into automatic mode by executing the program automatically.

STATIC MODE

This fixture has the ability to accept custom static color settings. Access these chases via the control panel on the back of the fixture.

- Press the button MENU so many times until the display shows **STATIC**, then press the button ENTER.
- Select **Fixed Color** through the buttons UP/DOWN, then press the button ENTER.
- Set the colors **R, G, B, W, GB, RB, RG, RGB, RW, GW, BW, RGW, RBW, GBW, RGBW**, through the buttons UP/DOWN, then press the button ENTER.

- Press the MENU button to go back or to meet the waiting time to exit the setup menu.
- Select **Color Temperature** through the buttons UP/DOWN, then press the button ENTER.
- Set the colors temperatur: **3000K, 4000K, 5000K, 6000K, 7000K, 8000K, 9000K, 10000K**, through the buttons UP/DOWN, then press the button ENTER.
- Press the MENU button to go back or to meet the waiting time to exit the setup menu.

- Select **Manual Color Mixer** through the buttons UP/DOWN, then press the button ENTER.
- Set the colors **Red, Green, Blue, White**, through the buttons UP/DOWN, then press the button ENTER.
- Press the MENU button to go back or to meet the waiting time to exit the setup menu.

- 4 - MAINTENANCE

4.1 MAINTENANCE AND CLEANING THE UNIT

- Make sure the area below the installation place is free from unwanted persons during setup.
- Switch off the unit, unplug the main cable and wait until the unit has cooled down.
- All screws used for installing the device and any of its parts should be tightly fastened and should not be corroded.
- Housings, fixations and installation spots (ceiling, trusses, suspensions) should be totally free from any deformation.
- The main cables must be in impeccable condition and should be replaced immediately even when a small problem is detected.
- It is recommended to clean the front at regular intervals, from impurities caused by dust, smoke, or other particles to ensure that the light is radiated at maximum brightness. For cleaning, disconnect the main plug from the socket. Use a soft, clean cloth moistened with a mild detergent. Then carefully wipe the part dry. For cleaning other housing parts use only a soft, clean cloth. Never use a liquid, it might penetrate the unit and cause damage to it.

4.2 TROUBLESHOOTING

Problems	Possible causes	Checks and remedies
Fixture does not light up	<ul style="list-style-type: none"> • No mains supply • Dimmer fader set to 0 • Faulty LED 	<ul style="list-style-type: none"> • Check the power supply voltage • Increase the value of the dimmer channels • Replace the LED board
General low light intensity	<ul style="list-style-type: none"> • Dirty lens assembly • Misaligned lens assembly 	<ul style="list-style-type: none"> • Clean the fixture regularly • Install lens assembly properly
Fixture does not power up	<ul style="list-style-type: none"> • No power • Loose or damaged power cord 	<ul style="list-style-type: none"> • Check for power on power outlet • Check power cord

Contact an authorized service center in case of technical problems or not reported in the table can not be resolved by the procedure given in the table.

Music & Lights S.r.l. si riserva ogni diritto di elaborazione in qualsiasi forma delle presenti istruzioni per l'uso.
La riproduzione - anche parziale - per propri scopi commerciali è vietata.

Al fine di migliorare la qualità dei prodotti, la Music&Lights S.r.l. si riserva la facoltà di modificare, in qualunque momento e senza preavviso, le specifiche menzionate nel presente manuale di istruzioni. Tutte le revisioni e gli aggiornamenti sono disponibili nella sezione 'Manuali' sul sito www.musiclights.it

INDICE	Sicurezza	
	Avvertenze generali	4
	Attenzioni e precauzioni per l'installazione	4
	1 Introduzione	
	1.1 Descrizione e specifiche tecniche	5
	1.2 Elementi di comando e di collegamento	7
	2 Installazione	
	2.1 Montaggio	8
	3 Funzioni e impostazioni	
	3.1 Funzionamento	9
	3.2 Impostazione base	9
	3.3 Struttura menù	10
	3.4 Modalità DMX	12
	3.5 Configurazione canali	12
	3.6 Impostazioni Wireless	12
	3.7 Canali DMX	13
	3.8 Impostazioni del proiettore	14
	3.9 Funzioni del dispositivo	14
 Dimmer	14
 Bilanciamento bianco	14
 Frequenza led	14
 Reset	15
	3.10 Informazioni sul dispositivo	15
	3.11 Modalità Automatica	15
 Master/Slave	15
 Sequence	15
 Modalità statica	15
	4 Manutenzione	
	4.1 Manutenzione e pulizia del sistema ottico	17
	4.2 Risoluzione dei problemi	17

Contenuto dell'imballo:

- GALLERYECLFC
- Manuale utente




ATTENZIONE! Prima di effettuare qualsiasi operazione con l'unità, leggere con attenzione questo manuale e conservarlo accuratamente per riferimenti futuri. Contiene informazioni importanti riguardo l'installazione, l'uso e la manutenzione dell'unità.



SICUREZZA

Avvertenze generali

- I prodotti a cui questo manuale si riferisce sono conformi alle Direttive della Comunità Europea e pertanto recano la sigla **CE**.
- Il dispositivo funziona con pericolosa tensione di rete 230V~. Non intervenire mai al suo interno al di fuori delle operazioni descritte nel presente manuale; esiste il pericolo di una scarica elettrica.
- È obbligatorio effettuare il collegamento ad un impianto di alimentazione dotato di un'efficiente messa a terra (apparecchio di Classe I secondo norma EN 60598-1). Si raccomanda, inoltre, di proteggere le linee di alimentazione delle unità dai contatti indiretti e/o cortocircuiti verso massa tramite l'uso di interruttori differenziali opportunamente dimensionati.
- Le operazioni di collegamento alla rete di distribuzione dell'energia elettrica devono essere effettuate da un installatore elettrico qualificato. Verificare che frequenza e tensione della rete corrispondono alla frequenza ed alla tensione per cui l'unità è predisposta, indicate sulla targhetta dei dati elettrici.
- L'unità non per uso domestico, solo per uso professionale.
- Evitare di utilizzare l'unità:
 - in luoghi soggetti a vibrazioni, o a possibili urti;
 - in luoghi a temperatura superiore ai 45°C.
- Evitare che nell'unità penetrino liquidi infiammabili, acqua o oggetti metallici.
- Non smontare e non apportare modifiche all'unità.
- Tutti gli interventi devono essere sempre e solo effettuati da personale tecnico qualificato. Rivolgersi al più vicino centro di assistenza tecnica autorizzato.
- Se si desidera eliminare il dispositivo definitivamente, consegnarlo  per lo smaltimento ad un'istituzione locale per il riciclaggio.

Attenzioni e precauzioni per l'installazione

- Se il dispositivo dovesse trovarsi ad operare in condizioni differenti da quelle descritte nel presente manuale, potrebbero verificarsi dei danni; in tal caso la garanzia verrebbe a decadere. Inoltre, ogni altra operazione potrebbe provocare cortocircuiti, incendi, scosse elettriche, rotture etc.
- Prima di iniziare qualsiasi operazione di manutenzione o pulizia sull'unità togliere la tensione dalla rete di alimentazione.
- È assolutamente necessario proteggere l'unità per mezzo di una fune di sicurezza. Nell'eseguire qualsiasi intervento attenersi scrupolosamente a tutte le normative (in materia di sicurezza) vigenti nel paese di utilizzo.
- Installare l'unità in un luogo ben ventilato.
- Mantenere i materiali infiammabili ad una distanza di sicurezza dall'unità.
- I filtri, le lenti o gli schermi ultravioletti se danneggiati possono limitare la loro efficienza.
- I LED devono essere sostituiti se danneggiati o termicamente deformati.
- Non guardare direttamente il fascio luminoso. Tenete presente che i veloci cambi di luce possono provocare attacchi d'epilessia presso persone fotosensibili o epilettiche.
- Non toccare l'alloggiamento del prodotto quando è in funzione perché potrebbe essere molto caldo.
- Questo prodotto è stato progettato e costruito esclusivamente per l'utilizzo indicato in questa documentazione. Qualsiasi altro utilizzo non espressamente indicato potrebbe pregiudicare la funzionalità del prodotto e/o rappresentare fonte di pericolo.
- Si declina qualsiasi responsabilità derivata dall'uso improprio del prodotto.

- 1 - INTRODUZIONE

1.1 GALLERYECLFC - DESCRIZIONE E SPECIFICHE TECNICHE

GALLERY ECL is a compact LED ellipsoidal luminaire designed for gallery, product, and shop window lighting. Featuring a beautiful controllable beam, and stunning aesthetics, the GALLERY ECL is a flexible tool for commercial and product lighting.

LIGHT SOURCE

- Sorgente: 60W custom RGBW LEDs
- Flusso luminoso: (19°) 458 lm (36°) 570lm
- Lux: (19°) 570lux @3m Full
- Lux: (36°) 166lux @3m Full
- Durata media sorgente: >30.000 h

OPTICS

- Zoom: 19°~36 ° Manual
- Lens Type: HQ glass lens optics
- Focus: Manual

COLOR SYSTEM

- Color Mixing: RGBW/FC

DYNAMIC EFFECTS

- Static Color Mode: Selection of static color
- Manual Color Mode: Manual adjustment of color
- Auto Mode: Built-in programs with execution speed adjustment

BODY

- Body: Sturdy die-cast aluminium body conceived for long-time durability
- Body Color: Black

CONTROL

- Protocols: WDMX
- Dmx Channels: 4-6-11 ch
- W-DMX: Included, Wireless Solution receiver
- Display: Black OLED high resolution display

ELECTRONICS

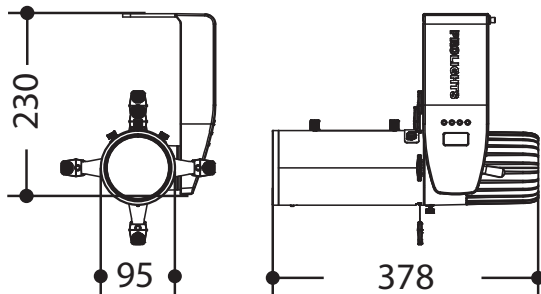
- Dimmer: Linear 0~100% electronic dimmer
- Dimmer Curves: 4 Different dimming curves available
- Strobe/Shutter: 1-30 Hz, electronic
- Operating Temperature: -10° ~ +45°
- Flicker: Flicker free operation

ELECTRICAL

- Power Supply: 100-240V – 50/60Hz
- Power Consumption (at 230V): 43,5 W
- Power Consumption (at 120V): 43,8 W

PHYSICAL

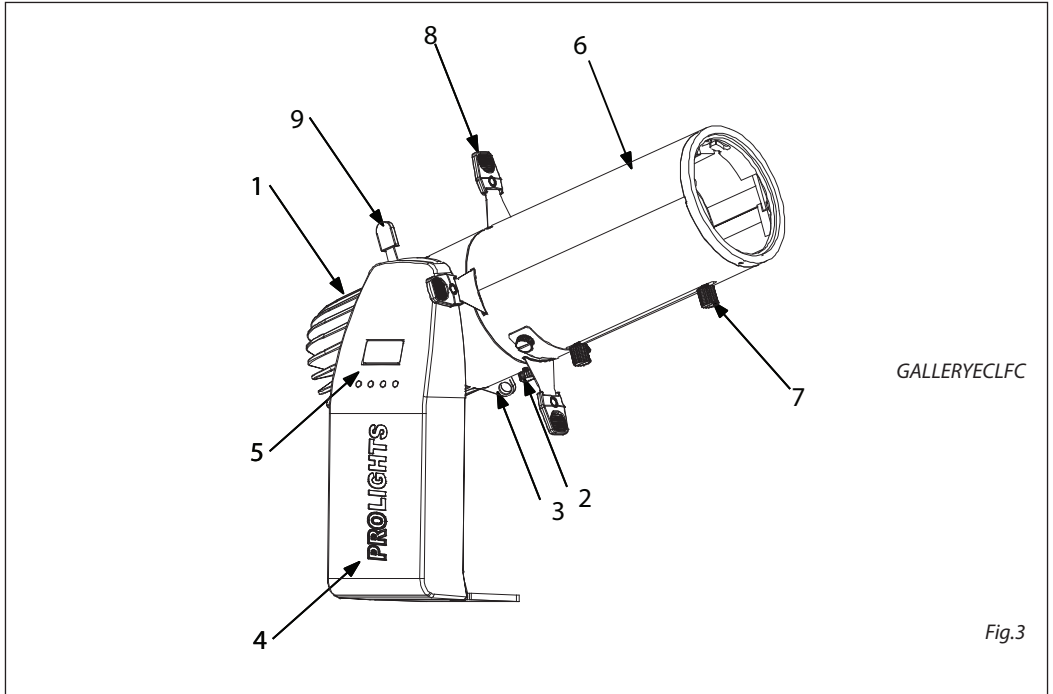
- Connessioni di alimentazione: 16A Shuko plug
- IP: 30
- Raffreddamento: Proiettore privo di ventole e struttura disegnata per una dissipazione a convezione naturale
- Dimensioni (LxAxP): 183x230x338mm
- Peso: 2.9kg



GALLERYECLFC

Fig.1 - Disegno tecnico

1.2 ELEMENTI DI COMANDO E COLLEGAMENTI



1. GALLERYECLFC
2. VITE DI FISSAGGIO OTTICA SAGOMATORE
3. SAFETY EYE per l'aggancio al cavo di sicurezza
4. BRACCIO GIREVOLE
5. PANNELLO DI CONTROLLO con display e 4 pulsanti per accesso e gestione delle diverse funzioni.
6. GALLERYECLFC ottica per sagomatore
7. VITE DI REGOLAZIONE ZOOM E MESSA A FUOCO per zoommare l'immagine proiettata in modo chiaro
8. OTTURATORE
9. LEVA fissaggio tilt

- 2 - INSTALLAZIONE

2.1 MONTAGGIO

GALLERYECLFC è stato progettato per applicazioni in campo commerciale, musei, ristoranti, chiese, teatri educativi e qualsiasi altro ambito in cui le dimensioni rappresentano un fattore importante.

Per il fissaggio occorrono dei supporti robusti per il montaggio. L'area di collocazione deve avere una stabilità sufficiente e supportare almeno 10 volte il peso dell'unità. Inoltre assicurarsi di rispettare tutte le avvertenze in materia di sicurezza.

- Fissare il proiettore ad una collocazione idonea.
- È assolutamente necessario assicurare il proiettore contro la caduta utilizzando un cavo di sicurezza: in particolare collegare il cavo in un punto adatto in modo che la caduta del proiettore non possa superare i 20 cm. Quindi orientare il proiettore.

NOTA - Per l'installazione del proiettore GALLERYECL inserire il track adapter (optional) in un idoneo binario a quattro linee quindi ruotare la manopola di 90° per collegare l'adattatore al circuito. Far riferimento alla sequenza di operazioni mostrate in figura 4.

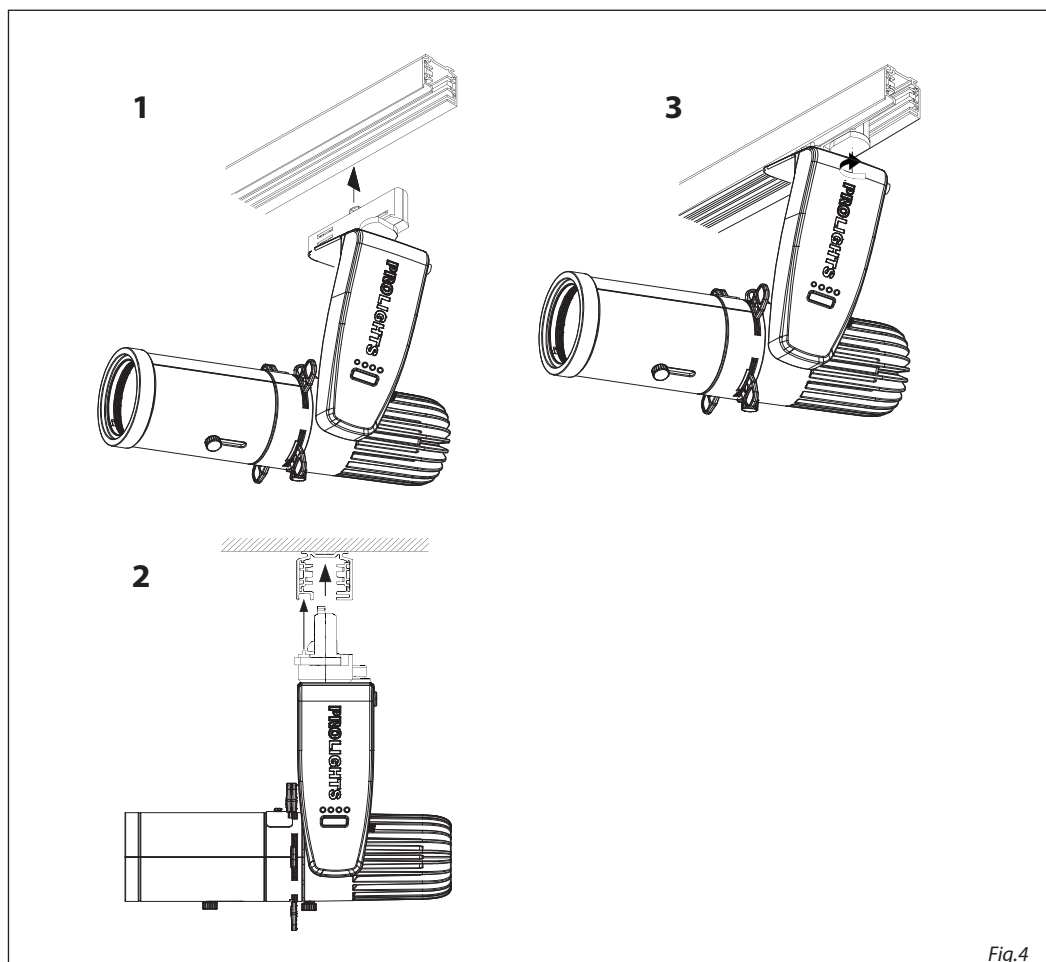


Fig.4

- 3 - FUNZIONI E IMPOSTAZIONI

3.1 FUNZIONAMENTO

Per accendere il GALLERYECLFC, inserire la spina del cavo di alimentazione in una presa di rete (100-240V~/50-60Hz). Effettuare le regolazioni del dimmer e dello zoom mediante le relative manopole. Dopo l'utilizzo spegnere il dispositivo, staccare la spina dalla presa di rete. Per maggiore comodità è consigliabile collegare l'unità con una presa comandata da un interruttore.

NOTA - Per il funzionamento del proiettore GALLERYECL è necessario realizzare invece un sistema track. Il sistema di binari deve essere installato e gestito da personale qualificato in conformità con le relative normative vigenti nel paese di utilizzo. È responsabilità dell'installatore garantire la compatibilità elettrica, meccanica e termica del sistema. In particolare, le operazioni di collegamento alla rete di distribuzione dell'energia elettrica devono essere effettuate da un installatore elettrico qualificato.

ATTENZIONE - Assicurararsi di togliere la tensione di alimentazione prima di iniziare qualsiasi intervento di manutenzione, inserimento e sostituzione di track-adpater (optional) e dispositivi di illuminazione.

3.2 IMPOSTAZIONE BASE

Il GALLERYECLFC dispone di un display e 4 pulsanti per accesso alle funzioni del pannello di controllo (fig.5).

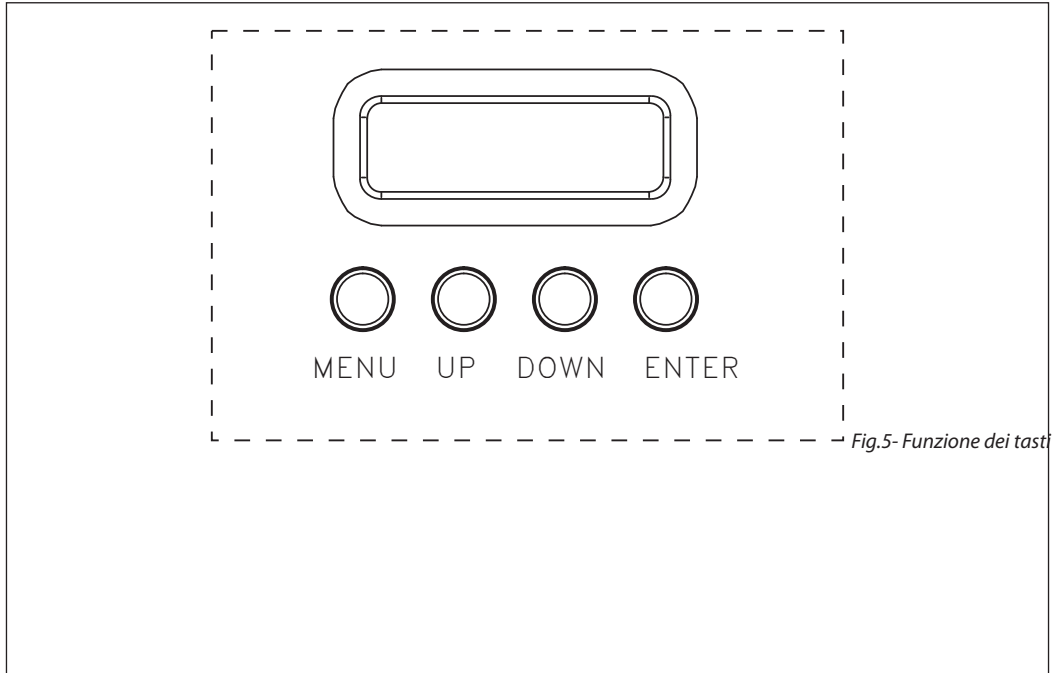


Fig.5- Funzione dei tasti

MENU	UP	DOWN	ENTER
Per scorrere il menu principale o tornare ad una opzione del menu precedente	Per scorrere attraverso le diverse funzioni in ordine discendente o aumentare il valore della funzione stessa	Per scorrere attraverso le diverse funzioni in ordine ascendente o diminuire il valore della funzione stessa	Per entrare nel menu selezionato o confermare il valore attuale della funzione o l'opzione all'interno di un menu

3.3 STRUTTURA MENU

MENU																																																	
1	CONNECT <table border="0" style="width: 100%;"> <tr> <td style="width: 30%;">⇒ DMX Address</td> <td style="width: 30%;">⇒ Value (001-512)</td> <td style="width: 40%;"></td> </tr> <tr> <td>DMX Mode</td> <td>⇒ 4CH</td> <td></td> </tr> <tr> <td></td> <td>6CH</td> <td></td> </tr> <tr> <td></td> <td>11CH</td> <td></td> </tr> <tr> <td>Wireless</td> <td>⇒ Receive On/Off</td> <td></td> </tr> <tr> <td></td> <td>Receive Reset</td> <td></td> </tr> </table>	⇒ DMX Address	⇒ Value (001-512)		DMX Mode	⇒ 4CH			6CH			11CH		Wireless	⇒ Receive On/Off			Receive Reset																															
⇒ DMX Address	⇒ Value (001-512)																																																
DMX Mode	⇒ 4CH																																																
	6CH																																																
	11CH																																																
Wireless	⇒ Receive On/Off																																																
	Receive Reset																																																
2	SETUP <table border="0" style="width: 100%;"> <tr> <td style="width: 30%;"></td> <td style="width: 30%;"></td> <td style="width: 40%;">On</td> </tr> <tr> <td>⇒ Screen</td> <td>Back Light</td> <td>⇒ 10S</td> </tr> <tr> <td></td> <td></td> <td>20S</td> </tr> <tr> <td></td> <td></td> <td>30S</td> </tr> <tr> <td></td> <td>Flip Display</td> <td>⇒ NO-Yes</td> </tr> <tr> <td></td> <td>Key Lock</td> <td>⇒ NO-Yes</td> </tr> </table>			On	⇒ Screen	Back Light	⇒ 10S			20S			30S		Flip Display	⇒ NO-Yes		Key Lock	⇒ NO-Yes																														
		On																																															
⇒ Screen	Back Light	⇒ 10S																																															
		20S																																															
		30S																																															
	Flip Display	⇒ NO-Yes																																															
	Key Lock	⇒ NO-Yes																																															
3	ADVANCED <table border="0" style="width: 100%;"> <tr> <td style="width: 30%;"></td> <td style="width: 30%;"></td> <td style="width: 40%;">Off</td> </tr> <tr> <td>⇒ Dimmer Mode</td> <td>⇒ Dimmer 1</td> <td></td> </tr> <tr> <td></td> <td>Dimmer 2</td> <td></td> </tr> <tr> <td></td> <td>Dimmer 3</td> <td></td> </tr> <tr> <td>White Balance</td> <td>⇒ Off</td> <td></td> </tr> <tr> <td></td> <td>Adjust</td> <td>⇒ Red <125-255></td> </tr> <tr> <td></td> <td></td> <td>Green <125-255></td> </tr> <tr> <td></td> <td></td> <td>Blue <125-255></td> </tr> <tr> <td></td> <td></td> <td>White <125-255></td> </tr> <tr> <td></td> <td>Led Frequency</td> <td>⇒ 600Hz</td> </tr> <tr> <td></td> <td></td> <td>1200 Hz</td> </tr> <tr> <td></td> <td></td> <td>2000 Hz</td> </tr> <tr> <td></td> <td></td> <td>4000 Hz</td> </tr> <tr> <td></td> <td></td> <td>6000Hz</td> </tr> <tr> <td></td> <td></td> <td>25kHz</td> </tr> <tr> <td>Reset Factory</td> <td>⇒ NO-Yes</td> <td></td> </tr> </table>			Off	⇒ Dimmer Mode	⇒ Dimmer 1			Dimmer 2			Dimmer 3		White Balance	⇒ Off			Adjust	⇒ Red <125-255>			Green <125-255>			Blue <125-255>			White <125-255>		Led Frequency	⇒ 600Hz			1200 Hz			2000 Hz			4000 Hz			6000Hz			25kHz	Reset Factory	⇒ NO-Yes	
		Off																																															
⇒ Dimmer Mode	⇒ Dimmer 1																																																
	Dimmer 2																																																
	Dimmer 3																																																
White Balance	⇒ Off																																																
	Adjust	⇒ Red <125-255>																																															
		Green <125-255>																																															
		Blue <125-255>																																															
		White <125-255>																																															
	Led Frequency	⇒ 600Hz																																															
		1200 Hz																																															
		2000 Hz																																															
		4000 Hz																																															
		6000Hz																																															
		25kHz																																															
Reset Factory	⇒ NO-Yes																																																
4	INFORMATION <table border="0" style="width: 100%;"> <tr> <td style="width: 30%;">⇒ Fixture Hours</td> <td style="width: 30%;">⇒ 0-9999</td> <td style="width: 40%;"></td> </tr> <tr> <td>Temperature</td> <td>⇒ 58°C</td> <td></td> </tr> <tr> <td>Version</td> <td>⇒ V1.0</td> <td></td> </tr> </table>	⇒ Fixture Hours	⇒ 0-9999		Temperature	⇒ 58°C		Version	⇒ V1.0																																								
⇒ Fixture Hours	⇒ 0-9999																																																
Temperature	⇒ 58°C																																																
Version	⇒ V1.0																																																
5	STANDALONE <table border="0" style="width: 100%;"> <tr> <td style="width: 30%;">⇒ Master/Slave</td> <td style="width: 30%;">⇒ Master/Slave</td> <td style="width: 40%;"></td> </tr> <tr> <td>Effects</td> <td>⇒ Show 1</td> <td></td> </tr> <tr> <td></td> <td>Show 2</td> <td></td> </tr> <tr> <td></td> <td>Show 3</td> <td>Speed 1~100</td> </tr> <tr> <td></td> <td>Show 4</td> <td></td> </tr> <tr> <td></td> <td>Show 5</td> <td></td> </tr> </table>	⇒ Master/Slave	⇒ Master/Slave		Effects	⇒ Show 1			Show 2			Show 3	Speed 1~100		Show 4			Show 5																															
⇒ Master/Slave	⇒ Master/Slave																																																
Effects	⇒ Show 1																																																
	Show 2																																																
	Show 3	Speed 1~100																																															
	Show 4																																																
	Show 5																																																

Static	Fixed Color	⇒	R	RW
			G	GW
			B	BW
			W	RGW
			GB	RBW
			RB	GBW
			RG	RGBW
			RGB	
	Color Temperature	⇒	3000K	
			4000K	
			5000K	
			6000K	
			7000K	
			8000K	
			9000K	
			10000K	
	Manual Color	⇒	Red	<0-255>
			Green	<0-255>
Blue			<0-255>	
White			<0-255>	

3.4 MODALITÀ DMX

- Per impostare l'indirizzo DMX, premere il tasto MENU fino a quando sul display non appare **DMX ADDRESS**, quindi premere il tasto ENTER.
- Premere il tasto UP/DOWN per selezionare il valore desiderato (**001-512**); tenere premuto invece il tasto UP/DOWN per lo scorrimento veloce. Premere il tasto ENTER per confermare l'impostazione.

Per poter comandare il GALLERYECLFC con un'unità di comando luce, occorre impostare l'indirizzo di start DMX per il primo canale DMX. Se, per esempio, sull'unità di comando è previsto l'indirizzo 33 per comandare la funzione del primo canale DMX, si deve impostare sul GALLERYECLFC/TRWD l'indirizzo di start 33. Le altre funzioni del pannello saranno assegnate automaticamente agli indirizzi successivi. Segue un esempio con indirizzo 33 di start:

3.5 CONFIGURAZIONE CANALI DMX

Il GALLERYECLFC dispone di diverse configurazioni dei canali DMX a cui si può accedere dal pannello di controllo.

- Premere il tasto MENU fino a quando sul display non appare **DMX CHANNEL**, quindi premere il tasto ENTER.
- Attraverso i tasti UP/DOWN selezionare la configurazione dei canali DMX che si desidera (**4CH - 6CH - 11CH**). Premere il tasto ENTER per confermare.

Le tabelle a pagina 16 indicano le modalità di funzionamento e i relativi valori DMX.

3.6 IMPOSTAZIONI WIRELESS

- Per entrare nella modalità impostazione wireless premere il tasto MENU fino a quando sul display non appare **Wireless Setting**, quindi premere il tasto ENTER.
- Selezionare la funzione **Wireless Receive** attraverso i tasti UP/DOWN, quindi premere il tasto ENTER.
- Per attivare la modalità di ricezione wireless utilizzare i tasti UP/DOWN e selezionare l'opzione **On**.
- Premere il tasto ENTER per confermare la scelta.
- Premere il tasto MENU per tornare indietro o attendere alcuni secondi per uscire dal menu di impostazione.

NOTA - Una volta eseguiti questi passi, bisogna effettuare la sincronizzazione con l'eventuale unità wifi con la quale si vuole comunicare premendo il pulsante di sincronizzazione presente sulla stessa. A questo punto collegare l'eventuale console DMX all'unità wifi per aprire la comunicazione con il GALLERYECLFC

- Per effettuare il reset dell'unità selezionare invece la funzione **Wireless Reset** attraverso i tasti UP/DOWN, quindi premere il tasto ENTER.
- Per eseguire l'operazione utilizzare i tasti UP/DOWN e selezionare l'opzione **Yes**.
- Premere il tasto ENTER per confermare la scelta.
- Premere il tasto MENU per tornare indietro o attendere alcuni secondi per uscire dal menu di impostazione.

Numero canali DMX	Indirizzo di start (esempio)	Indirizzo DMX occupati	Prossimo indirizzo di start possibile per unità n°1	Prossimo indirizzo di start possibile per unità n°2	Prossimo indirizzo di start possibile per unità n°3
11	33	33-43	44	55	65

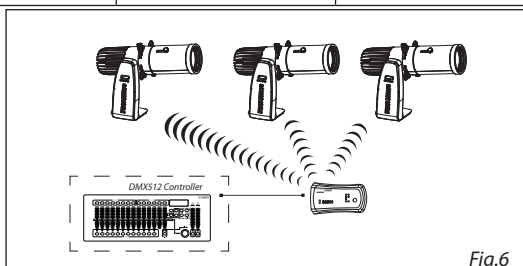


Fig.6

3.7 CANALI DMX

4 CANALI

MODE 4 Ch	FUNCTION	DMX Value
1	RED 0~100%	000 - 255
2	GREEN 0~100%	000 - 255
3	BLUE 0~100%	000 - 255
4	WHITE 0~100%	000 - 255

6 CANALI

MODE 6 Ch	FUNCTION	DMX Value
1	DIMMER 0~100%	000 - 255
2	RED 0~100%	000 - 255
3	GREEN 0~100%	000 - 255
4	BLUE 0~100%	000 - 255
5	WHITE 0~100%	000 - 255
6	STROBE NO Function Strobe Slow to Fast	000 - 010 011 - 255

11 CANALI

MODE 11 Ch	FUNCTION	DMX Value
1	DIMMER 0~100%	000 - 255
2	RED 0~100%	000 - 255
3	GREEN 0~100%	000 - 255
4	BLUE 0~100%	000 - 255
5	WHITE 0~100%	000 - 255
6	STROBE NO Function Strobe Slow to Fast	000 - 010 011 - 255

11 CANALI

MODE 11 Ch	FUNCTION	DMX Value	
7	COLOR MACRO No Function R 100%, G 0~100%, B 0% R 100%~0%, G 100%, B 0% R 0%, G 100%, B 0~100% R 0% G 100%~0% B 100% R 0%~100% G 0% B 100% R 100% G 0% B 100%~0% R 100% G 0%~100% B 0%~100% R 100%~0% G 100%~0% B 100% R 100% G 100% B 100%	000 - 010 011 - 030 031 - 050 051 - 070 071 - 090 091 - 110 111 - 130 131 - 150 151 - 170 171 - 200 201 - 205 206 - 210 211 - 215 216 - 220 221 - 225 226 - 230 231 - 235 236 - 240 241 - 245 246 - 250 251 - 255	
	COLOR TEMPERATURE NO function 3000k 4000k 5000k 6000k 7000k 8000k 9000k 10000k NO function	000 - 005 006 - 039 040 - 069 070 - 099 100 - 129 130 - 159 160 - 189 190 - 219 220 - 250 251 - 255	
	AUTO PROGRAMS No Function Auto Program 1 Auto Program 2 Auto Program 3 Auto Program 4 Auto Program 5(Auto Program1- 4)	000 - 010 011 - 060 061 - 110 111 - 160 161 - 210 211 - 255	
	AUTO SPEED Auto speed slow to fast	000 - 255	
	11	DIMMER SPEED MODE Preset dimmer speed from display menu Dimmer speed mode off Dimmer speed mode1 (fast speed) Dimmer speed mode2 (middle speed) Dimmer speed mode3 (slow speed)	000 - 051 052 - 101 102 - 152 153 - 203 204 - 255

3.8 IMPOSTAZIONI DEL PROIETTORE

È possibile modificare i parametri relativi al dispositivo procedendo nel seguente modo:

SCREEN

È possibile modificare i seguenti parametri, relativi al display, seguendo la medesima procedura:

- Premere il tasto ENTER per accedere al menu principale.
- Premere il tasto UP/DOWN per scorrere nel menu, selezionare **Set Up**, quindi premere il tasto ENTER per accedere al menu successivo.
- Premere il tasto UP/DOWN per selezionare **Screen** e premere il tasto ENTER per procedere.
- Selezionare l'opzione proposta con il tasto UP/DOWN e premere il tasto ENTER per confermare.
 - **Backlight** - Retroilluminazione display Auto Off. Questa funzione permette di spegnere automaticamente la retroilluminazione del display dopo un determinato tempo che può essere impostato tramite i tasti direzionali. Per avere il display sempre acceso seleziona **Always On** oppure impostare un valore tra quelli indicati per far spegnere il display una volta trascorso il tempo scelto, dopo l'uscita dal menu.
 - **Flip Display** - Orientamento del display. Questa funzione permette di ruotare il display di 180° per ottenere una migliore visualizzazione del display quando l'unità è appesa a testa in giù. Selezionare **YES** per attivare la funzione oppure **NO** per disattivarla.
 - **Key lock** - Blocco tasti. Con questa funzione è possibile bloccare i tasti del pannello di controllo, per evitare, ad esempio, manomissioni delle impostazioni. Se questa funzione viene attivata, i tasti vengono bloccati automaticamente. Per disattivare o temporaneamente o disattivare la funzione di blocco tasti, premere i tasti nel seguente ordine per riottenere l'accesso ai comandi di menu: SU, GIÙ, SU, GIÙ, ENTER. Selezionare **YES** per attivare la funzione oppure **NO** per disattivarla.
- Premere il tasto ENTER per confermare la scelta.
- Premere il tasto MENU più volte per uscire dal menu e per salvare le modifiche apportate.

3.9 FUNZIONI DISPOSITIVO

Per il GALLERYECLFC è possibile accedere alle seguenti funzioni dispositivo:

DIMMER

- Per entrare nella modalità dimmer e scegliere e simulare diverse curve dimming, scorrere nel menu, selezionare l'icona **Advanced**, scorrere nel MENU fino a quando sul display non compare **DIM MODE**, quindi premere il tasto ENTER.
- Premere il tasto UP/DOWN per selezionare (**OFF - DIM1 - DIM2 - DIM3**).
- Premere il tasto ENTER per confermare la scelta.
- Premere il tasto MENU per tornare indietro o attendere alcuni secondi per uscire dal menu di impostazione.

BILANCIAMENTO BIANCO

- Per impostare il bilanciamento del bianco premere il tasto MENU fino a quando sul display non appare **WHITE CALIBRATION**, quindi premere il tasto ENTER.
- Premere il tasto UP/DOWN per selezionare una delle seguenti impostazioni: **Red, Green, Blue, White**. Poi premere il tasto ENTER.
- Utilizzare i tasti UP/DOWN per impostare il valore desiderato **125 - 255**.
- Premere il tasto MENU per tornare indietro o attendere alcuni secondi per uscire dal menu di impostazione.

FREQUENZA LED

- Per regolare la frequenza dei LED, premere il tasto MENU ripetutamente fino a quando sul display non compare **LED FREQUENCY**, quindi premere il tasto ENTER.
- Selezionare il valore della frequenza (**600Hz - 1200Hz - 2000Hz - 4000Hz - 6000Hz 25kHz**) attraverso i tasti UP/DOWN.
- Per confermare premere il tasto ENTER.

- Premere il tasto MENU per tornare indietro o attendere alcuni secondi per uscire dal menu di impostazione.

RESET FACTORY

Selezionare questa funzione per ripristinare l'unità alle impostazioni di fabbrica:

- Premere il tasto ENTER per accedere al menu principale.
- Premere il tasto UP/DOWN per selezionare **Factory Reload** e premere il tasto ENTER per procedere.
- Premere i tasti UP/DOWN per selezionare **Yes** oppure **No**, quindi premere il tasto ENTER per confermare.

3.10 INFORMAZIONI SUL DISPOSITIVO

Per visualizzare tutte le informazioni sul dispositivo procedere nel seguente modo:

- Premere il tasto ENTER per accedere al menu principale.
- Premere il tasto UP/DOWN per selezionare l'icona **Information**, quindi premere il tasto ENTER per accedere al menu successivo.
- Premere il tasto UP/DOWN per scorrere nel menu, quindi selezionare una delle seguenti informazioni e premere il tasto ENTER per visualizzarla.
 - **Fixture Time** - Attraverso la funzione **Fixture Time** è possibile visualizzare sul display il tempo di funzionamento del proiettore.
 - **Temperature** - Attraverso la funzione **Temperature** è possibile visualizzare sul display la temperatura presente all'interno della testa mobile, dove è situata la lampada. La temperatura può essere visualizzata in gradi Celsius o Fahrenheit.
 - **Software Version** - Attraverso la funzione **Version** è possibile visualizzare sul display la versione del software installata.
- Premere il tasto MENU più volte per uscire dal menu.

3.11 OPERAZIONI IN MODALITÀ AUTOMATICA

MASTER/SLAVE

Master/Slave muoversi con il tasto UP/DOWN, quindi confermare la scelta con il tasto ENTER.

- **Master**, se l'unità è collegata in serie ad altre unità ed essa svolge la funzione di Master;
 - **Slave**, se l'unità non è collegata ad altre unità.
- Premere il tasto ENTER per confermare la scelta.

EFFECTS

L'unità può svolgere il suo programma Show autonomamente. Prima di inviare un programma automatico in esecuzione è necessario impostare l'unità come Master/Alone:

- Premere il tasto ENTER per accedere al menu principale.
- Premere il tasto UP/DOWN per scorrere nel menu, selezionare **Effects**, quindi premere il tasto ENTER per accedere al menu successivo :
- Premere il tasto UP/DOWN per selezionare la modalità di funzionamento: **Effects 1, Effects 2, Effects 3, Effects 4, Effects 5**
- Premere il tasto ENTER per confermare la scelta e successivamente selezionare la velocità.
- Premere il tasto LEFT più volte per uscire dal menu e per salvare le modifiche apportate.

L'unità entrerà in modalità automatica mandando in esecuzione il programma automatico.

MODALITÀ STATICA

L'unità dispone di preset colori pre-programmati che possono essere impostati attraverso la seguente procedura:

- Premere il tasto MENU fino a quando sul display non appare **STATIC**, quindi premere il tasto ENTER.
- Selezionare **Fixed Color** attraverso i tasti UP/DOWN, quindi premere il tasto ENTER.

- Impostare i colori **R, G, B, W, GB, RB, RG, RGB, RW, GW, BW, RGW, RBW, GBW, RGBW** attraverso i tasti UP/DOWN, quindi premere il tasto ENTER.
- Premere il tasto MENU per tornare indietro o attendere alcuni secondi per uscire dal menu di impostazione.

- Selezionare **Color Temperature** attraverso i tasti UP/DOWN, quindi premere il tasto ENTER.
- Impostare la temperatura colore: **3000K, 4000K, 5000K, 6000K, 7000K, 8000K, 9000K, 10000K** attraverso i tasti UP/DOWN, quindi premere il tasto ENTER.
- Premere il tasto MENU per tornare indietro o attendere alcuni secondi per uscire dal menu di impostazione.

- Selezionare **Manual Color Mixer** attraverso i tasti UP/DOWN, quindi premere il tasto ENTER.
- Impostare i colori **Red, Green, Blue, White**, attraverso i tasti UP/DOWN, quindi premere il tasto ENTER ed impostare il valore desiderato.
- Premere il tasto MENU per tornare indietro o attendere alcuni secondi per uscire dal menu di impostazione.

- 4 - MANUTENZIONE

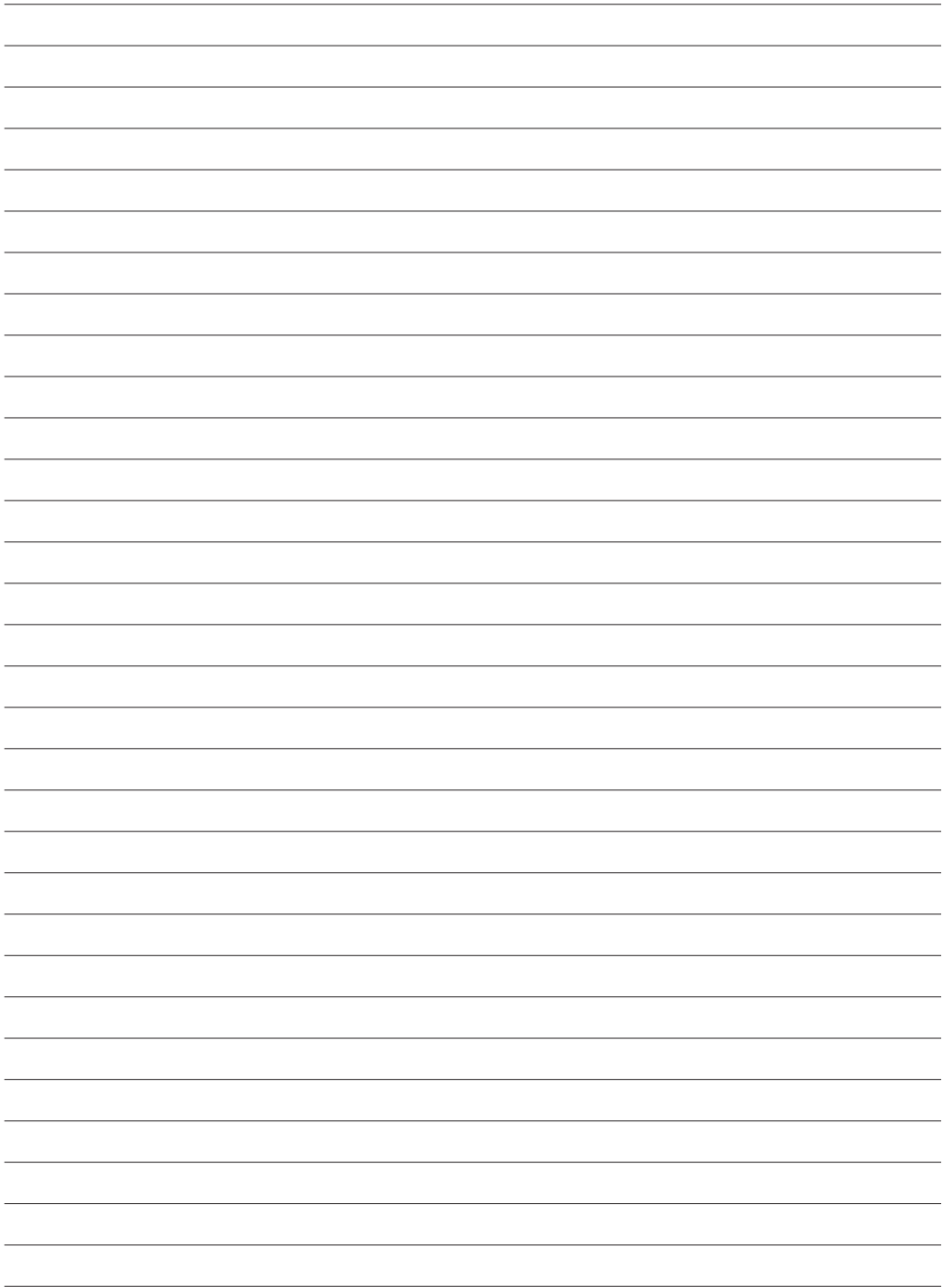
4.1 MANUTENZIONE E PULIZIA DEL SISTEMA OTTICO

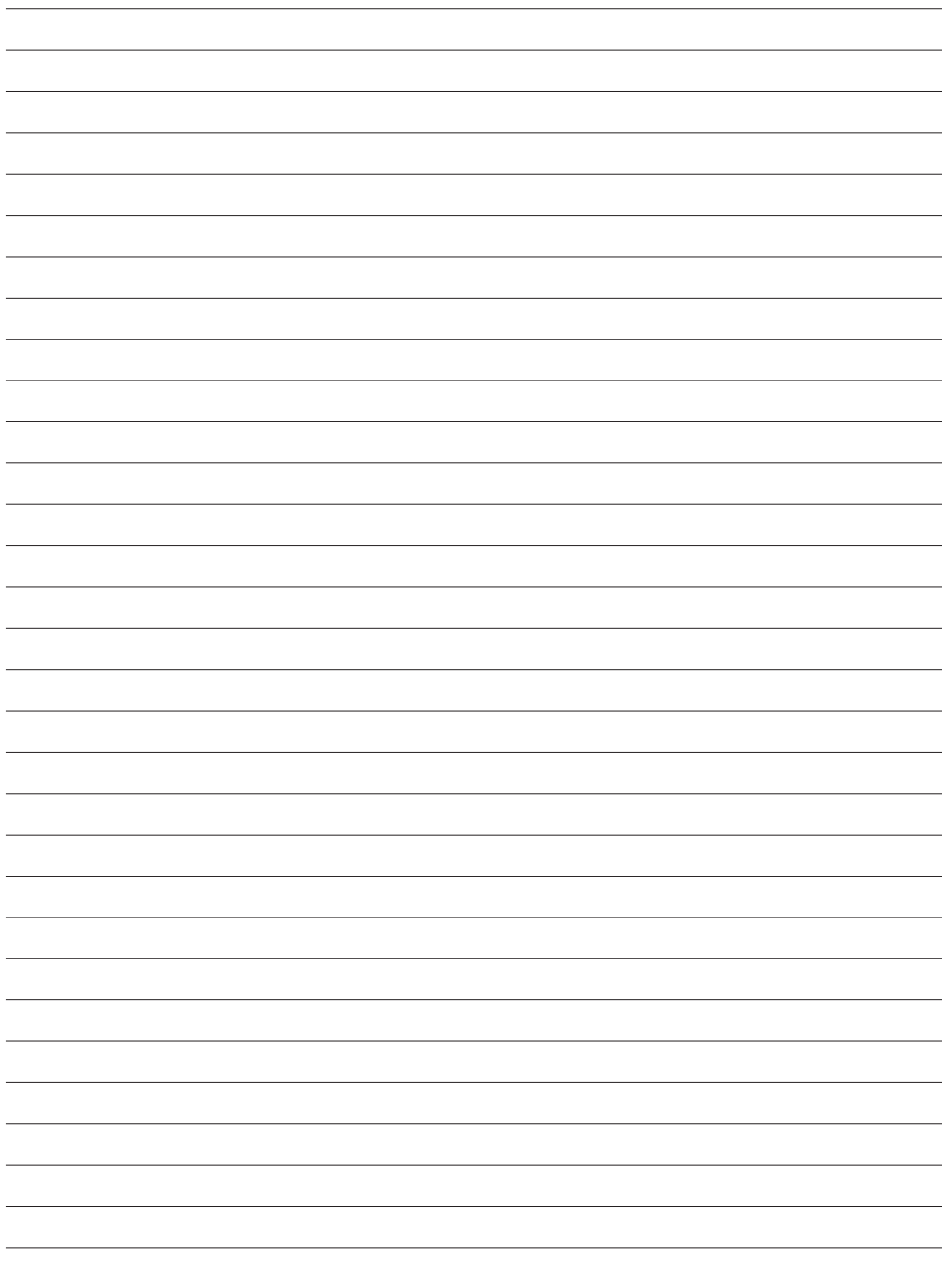
- Durante gli interventi, assicurarsi che l'area sotto il luogo di installazione sia libera da personale non qualificato.
- Spegnerne l'unità, scollegare il cavo di alimentazione ed aspettare finché l'unità non si sia raffreddata.
- Tutte le viti utilizzate per l'installazione dell'unità e le sue parti devono essere assicurate saldamente e non devono essere corrose.
- Alloggiamenti, elementi di fissaggio e di installazione (soffitto, truss, sospensioni) devono essere totalmente esenti da qualsiasi deformazione.
- I cavi di alimentazione devono essere in condizione impeccabile e devono essere sostituiti immediatamente nel momento in cui anche un piccolo problema viene rilevato.
- Si dovrebbe procedere, ad intervalli regolari, alla pulizia della parte frontale per asportare polvere, fumo e altre particelle. Solo così, la luce può essere irradiata con la luminosità massima. Per la pulizia usare un panno morbido, pulito e un detergente per vetri come si trovano in commercio. Quindi asciugare le parti delicatamente.

4.2 RISOLUZIONE DEI PROBLEMI

Anomalie	Possibili cause	Controlli e rimedi
Il proiettore non illumina	<ul style="list-style-type: none"> • Mancanza di alimentazione di rete • Dimmer impostato a 0 • LED difettoso/i 	<ul style="list-style-type: none"> • Verificare la presenza della tensione alimentazione • Incrementare i valori del canale dimmer • Sostituire scheda LED
Bassa intensità di luce generale	<ul style="list-style-type: none"> • Lenti sporche • Lente disallineata 	<ul style="list-style-type: none"> • Pulire il dispositivo regolarmente • Installare il gruppo ottico correttamente
Il proiettore non è alimentato	<ul style="list-style-type: none"> • Mancanza di alimentazione di rete • Cavo di alimentazione danneggiato 	<ul style="list-style-type: none"> • Verificare la presenza della tensione alimentazione • Controllare il cavo di alimentazione

Rivolgersi a un centro di assistenza tecnico autorizzato nel caso in cui il problema non sia riportato in tabella.





PROLIGHTS è un brand di proprietà della Music & Lights S.r.l.

PROLIGHTS is a brand of Music & Lights S.r.l. company.

PROLIGHTS is a brand of Music & Lights S.r.l.

