



100–240 V

Information subject to change without notice



OVERVIEW

ORDERING INFORMATION

FIXTURE OVERVIEW

SolaWash 1000 is an essential wash light fixture for lighting designers who are looking for a simple and elegant lighting solution. The 20,000 lumen output is complimented by a full-curtain four-blade framing system and dual linear diffusion systems, giving designers the ability to do beautiful blended color washes and punchy, even key lighting without losing control of the edges of their light. Whether using the redesigned CMY and CTO color mixing system, made popular by our SolaFrame 1000, or our standard replaceable color system, the SolaWash 1000 provides a key toolset to give maximum impact.

APPLICATIONS

- Arenas and stadiums
- Theaters and Opera houses
- Concert halls and performing arts centers
- Film and television broadcast studios
- Megachurches and houses of worship
- Nightclubs and special events

PRODUCT FEATURES

- White LED engine
- 480 W Ultra-Bright engine producing 20,000 field lumens or a High CRI engine featuring incredibly accurate color rendering
- Full framing shutter system
- CMY / CTO - linear color mixing system
- Seven plus open position replaceable color wheel
- Dual Linear Frost systems for medium and heavy frost
- Iris for further beam and projection size reduction
- Sharp edge focus throughout 12°–55° zoom range
- TM-30 Filter boosts Ultra-Bright engine to 85+ CRI
- Patented Lens Defogger

SolaWash 1000 Model

Model #	Description
2570A1300	SolaWash 1000 fixture, Ultra-Bright, black, with Road Case
2570A1300-B	SolaWash 1000 fixture, Ultra-Bright, black, with Molded Rubber Insert
2570A1301	SolaWash 1000 fixture, High CRI, black, with Road Case
2570A1301-B	SolaWash 1000 fixture, High CRI, black, with Molded Rubber Insert

Color Options: Fixtures ship standard in black. White available by request.

Notes: Fixture includes two (2) Omega Brackets, one (1) fixture power cord, bare ends to powerCON TRUE1™ input, and a safety cable.

Accessories

Model #	Description
2560B7009	Fixture Power Cord upgrade, 5-15 Edison to powerCON TRUE1, 15 A
2560B7005	Fixture Power Cord upgrade, Stage Pin to powerCON TRUE1, 20 A
2560B7006	Fixture Power Cord upgrade, L6-20 to powerCON TRUE1, 20 A
2560B7007	Fixture Power Cord upgrade, L5-20 to powerCON TRUE1, 20 A
67040007	MegaClaw™
55040014	Cheeseborough 2" Alloy 1/2 Coupler Truss Clamp
67040010	Mini-Claw™



PRODUCT SPECIFICATIONS

Source

Engine Options	Ultra-Bright white engine	High CRI white engine
LED Details	480 W	480 W
Max Field Lumens on the Wall	20,000 Lumens	16,000 Lumens
Integrating Sphere Lumens	23,500 Lumens	19,500 Lumens
LPW	42 Lumens per Watt	34 Lumens per Watt
LED Life	50,000 hours	50,000 hours
Native CCT	7000 K	6000 K

Color

Color Mixing	Cyan, Magenta, Yellow, CTO-Linear
Color Temperature	Variable down to 2800 K
Color Wheel	Seven (7) interchangeable dichroic chips plus open includes TM-30 Filter standard
Notes	See page 4 for color rendering information

Optical

Beam Angle Range	12°–55°
Gate Size	25 mm
Aperture Size	140 mm
Diffusion	Dual flag Medium Diffusion Dual flag Heavy Diffusion Additional accessories available
Flicker Control/Hz Range	2.4 kHz or 16 kHz
Animation	LED branch animation
Iris	16 blade Iris
Framing	Four full-curtain framing blades with +/- 30 degree rotation on each blade Full module rotates +/- 45 degrees

Control

Input Method	DMX (5-pin) or Ethernet
Protocols	DMX via RS-485 Art-Net or sACN via Ethernet
Ethernet Pass-Thru	Passive Ethernet in and thru with no power pass-through
Modes (Footprint)	One (37)
RDM Functions	Yes
UI Type	Full color graphical UI with 6 button navigational control
Local Control	Yes
Dimming Performance	16-Bit, DMX Controlled

Electrical

Voltage Range	100–240 V 50–60 Hz
Input Method	powerCON TRUE1
Max Wattage	967 W
Max Current	9.7 A
Notes	See Page 5 for power factor information

Thermal

Ambient Operating Temp	-10°–45° C (14°–113° F)
Fan	Four Modes: Standard, Studio, Continuous, and Studio Continuous
Stationary dBA/Full intensity	Studio - 33.4 dBA Standard - 39.1 dBA Continuous - 40.6 dBA Studio Continuous - 35 dBA

Physical

Pan and Tilt Range	540° Pan, 265° Tilt
Max Pan/Tilt Speed	2.89 sec for 540°, 1.62 sec for 265°
Materials	Steel and aluminum frame with molded plastic covers
Color Options	Black, White by request
Mounting Options	Any orientation
IP Rating	IP20
Weight	69.9 lb / 31.3 kg
Included Accessories	powerCON TRUE1 to bare end fixture tail Two (2) clamp brackets Safety cable
Notes	See page 5 for dimensions

Warranty

Fixture Warranty	Five (5) years for light engine Two (2) years for complete fixture
Warranty Details	highend.com/warranty

Regulatory & Compliance

Approved Regulatory Standards	Listed to UL 1573 Certified to CSA STD. C22.2 No: 166 CE
CE Compliance Declared to the Following Standards	Safety: EN 60598-1, EN 60598-2-17 EMC: EN 55015, EN 61547, EN 61000-3-2, EN 6100-3-3
Complies to the ROHS Directive	Yes

Safety

Safety	Minimum distance to illuminated surface = 2.0 m Minimum distance from fixture head to combustible materials = 0.1 m
--------	--

Notes about LED luminaires

All LED sources experience some lessening of light output and some color shift over time. LED output will vary with thermal conditions. Thermal conditions can be affected by ambient temperatures and orientation.



PHOTOMETRIC INFORMATION

SolaWash 1000 - Ultra-Bright

Mode	Degree	Candela	Field Lumens	Power Consumption	Lumens Per Watt
Narrow	12	606,000	15,000	480 W	32
Medium	26	130,900	16,600	480 W	35
Wide	55	36,300	20,000	480 W	42

Narrow Zoom - 12 Degrees

Throw Distance (d)	10 ft 3.0 m	25 ft 7.6 m	50 ft 15.2 m	100 ft 30.5 m	200 ft 61 m
Field Diameter	2.1 ft 0.65 m	5.2 ft 1.6 m	10.5 ft 3.20 m	20.9 ft 6.39 m	41.9 ft 12.77 m
Illuminance (fc)	6,060	970	243	61	16
Illuminance (lux)	65,200	10,432	2,608	652	163

Medium Zoom - 26 Degrees

Throw Distance (d)	10 ft 3.0 m	25 ft 7.6 m	50 ft 15.2 m	100 ft 30.5 m	200 ft 61 m
Field Diameter	4.6 ft 1.41 m	11.5 ft 3.52 m	23.1 ft 7.04 m	46.2 ft 14.08 m	92.3 ft 28.15 m
Illuminance (fc)	1,309	210	53	14	4
Illuminance (lux)	14,081	2,253	563	141	35

Wide Zoom - 55 Degrees

Throw Distance (d)	10 ft 3.0 m	25 ft 7.6 m	50 ft 15.2 m	100 ft 30.5 m	200 ft 61 m
Field Diameter	10.4 ft 3.18 m	26.0 ft 7.94 m	52.1 ft 15.87 m	104.1 ft 31.74 m	208.2 ft 63.47 m
Illuminance (fc)	363	59	15	4	1
Illuminance (lux)	3,901	624	156	39	10

To determine center beam illumination in footcandles at any throw distance, divide candela by the throw distance squared.

For field diameter at any distance, multiply distance by 0.491.

For beam diameter at any distance, multiply by 0.274.

SolaWash 1000 - High CRI

Mode	Degree	Candela	Field Lumens	Power Consumption	Lumens Per Watt
Narrow	12	484,800	12,000	480 W	25
Medium	26	104,720	13,280	480 W	27
Wide	55	29,040	16,000	480 W	33

Narrow Zoom - 12 Degrees

Throw Distance (d)	10 ft 3.0 m	25 ft 7.6 m	50 ft 15.2 m	100 ft 30.5 m	200 ft 61 m
Field Diameter	2.1 ft 0.65 m	5.2 ft 1.6 m	10.5 ft 3.20 m	20.9 ft 6.39 m	41.9 ft 12.77 m
Illuminance (fc)	4,848	776	195	49	13
Illuminance (lux)	52,160	8,346	2,087	522	131

Medium Zoom - 26 Degrees

Throw Distance (d)	10 ft 3.0 m	25 ft 7.6 m	50 ft 15.2 m	100 ft 30.5 m	200 ft 61 m
Field Diameter	4.6 ft 1.41 m	11.5 ft 3.52 m	23.1 ft 7.04 m	46.2 ft 14.08 m	92.3 ft 28.15 m
Illuminance (fc)	1,047	168	43	12	3
Illuminance (lux)	11,265	1,803	451	113	28

Wide Zoom - 55 Degrees

Throw Distance (d)	10 ft 3.0 m	25 ft 7.6 m	50 ft 15.2 m	100 ft 30.5 m	200 ft 61 m
Field Diameter	10.4 ft 3.18 m	26.0 ft 7.94 m	52.1 ft 15.87 m	104.1 ft 31.74 m	208.2 ft 63.47 m
Illuminance (fc)	291	48	12	3	1
Illuminance (lux)	3,121	500	125	31	8

To determine center beam illumination in footcandles at any throw distance, divide candela by the throw distance squared.

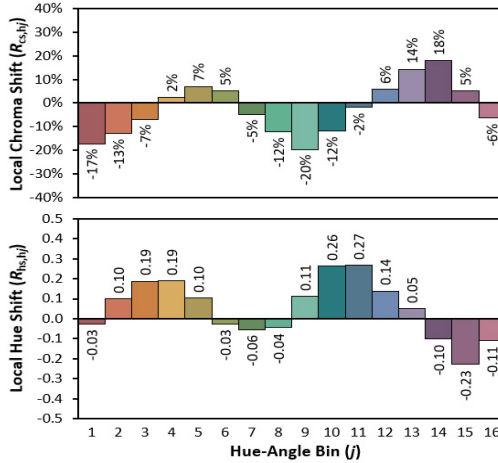
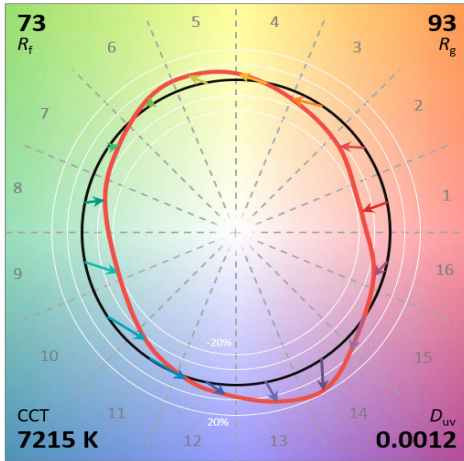
For field diameter at any distance, multiply distance by 0.491.

For beam diameter at any distance, multiply by 0.274.

COLOR METRIC INFORMATION

ANSI IES TM-30-18 Color Rendition Report

Ultra-Bright Engine



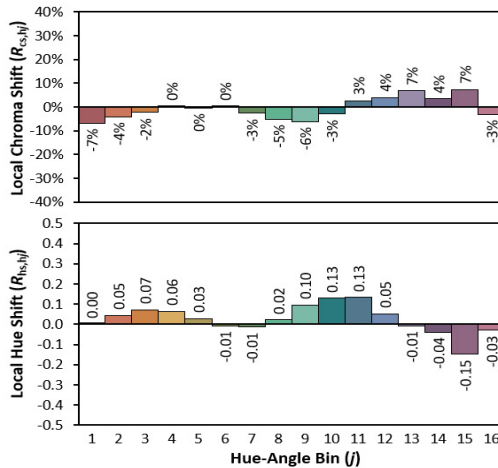
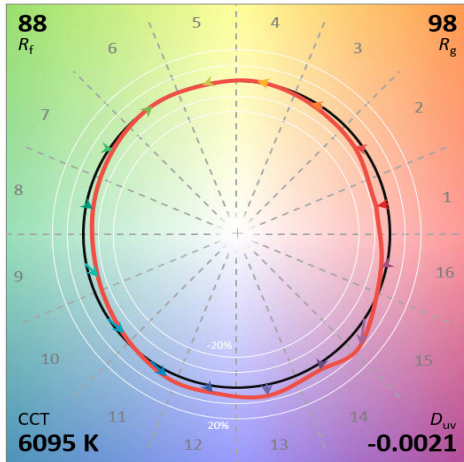
Colors are for visual orientation purposes only. Created with the ANSI/IES TM-30-18 Calculator Version 2.00.

Additional Color Metrics

SolaWash 1000 Ultra-Bright Engine	
CRI R_a (R_g)	70 (-15)
TLCI	50

ANSI IES TM-30-18 Color Rendition Report

High CRI Engine



Colors are for visual orientation purposes only. Created with the ANSI/IES TM-30-18 Calculator Version 2.00.

Additional Color Metrics

SolaWash 1000 High CRI Engine	
CRI R_a (R_g)	90 (57)
TLCI	86

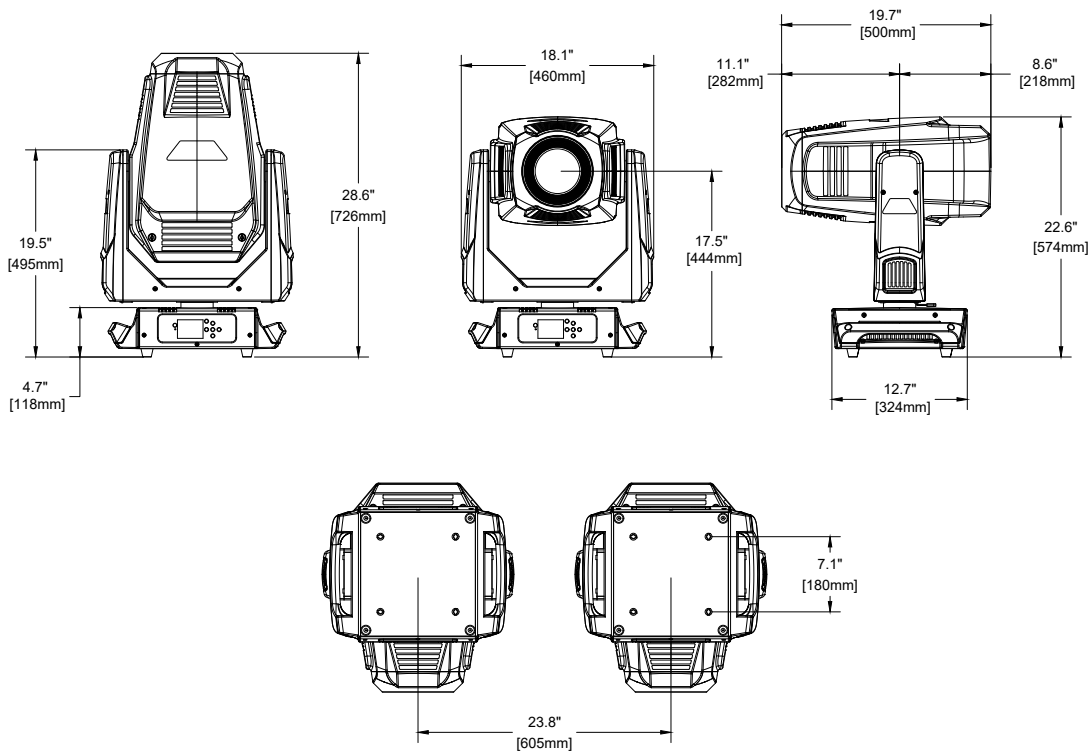


PHYSICAL INFORMATION

SolaWash 1000 Dimensions

MODEL	HEIGHT		WIDTH		DEPTH		WEIGHT	
	in	mm	in	mm	in	mm	lb	kg
SolaWash 1000*	28.6	726	18.1	460	12.7	324	69.9	31.3
SolaWash 1000 in single roadcase	36.6	929	22.3	565	23.6	600	185.9	84.3

*Does not include mounting hardware



SolaWash 1000 Power Table

VAC	Amps	Hz	Watts	VA	PF
100	9.7	50	967	973	0.99
120	7.8	60	930	937	0.99
200	4.6	50	896	921	0.97
208	4.5	60	898	922	0.97
220	4.2	50	930	920	0.96
240	3.8	60	867	900	0.96

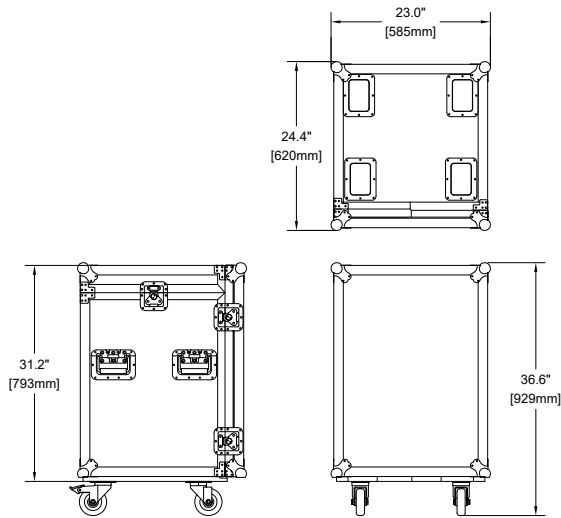


ADDITIONAL ORDERING INFORMATION

Additional Accessories

MODEL	DESCRIPTION
H7500001	Extra Omega Brackets
H7300105	Galvanized Safety Cable with Spring Snap

Roadcase Dimensions (Single Mode)



Roadcase Dimensions (Dual Mode)

