

P 12 SPOT

P 12 PROFILE

Operating instructions

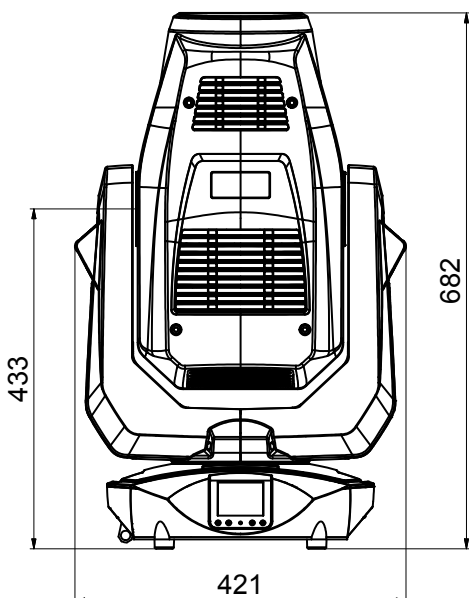
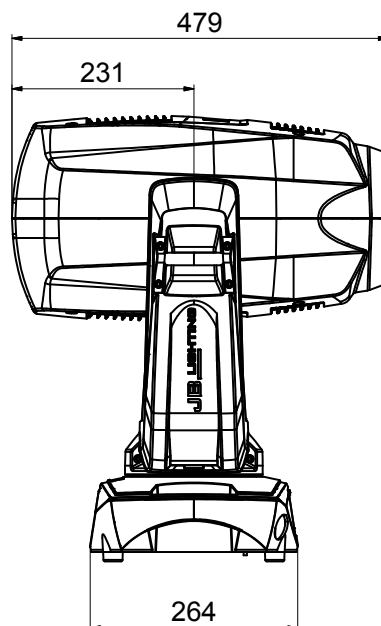
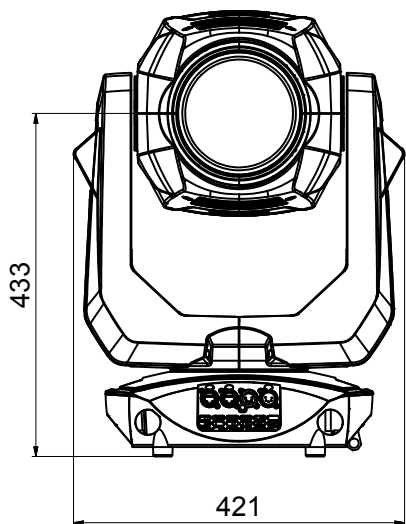
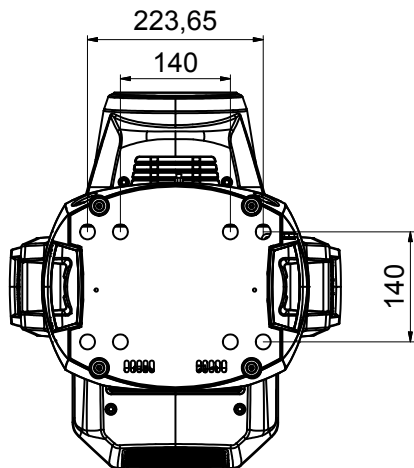
Version 1.14

Software >= 1.1.0

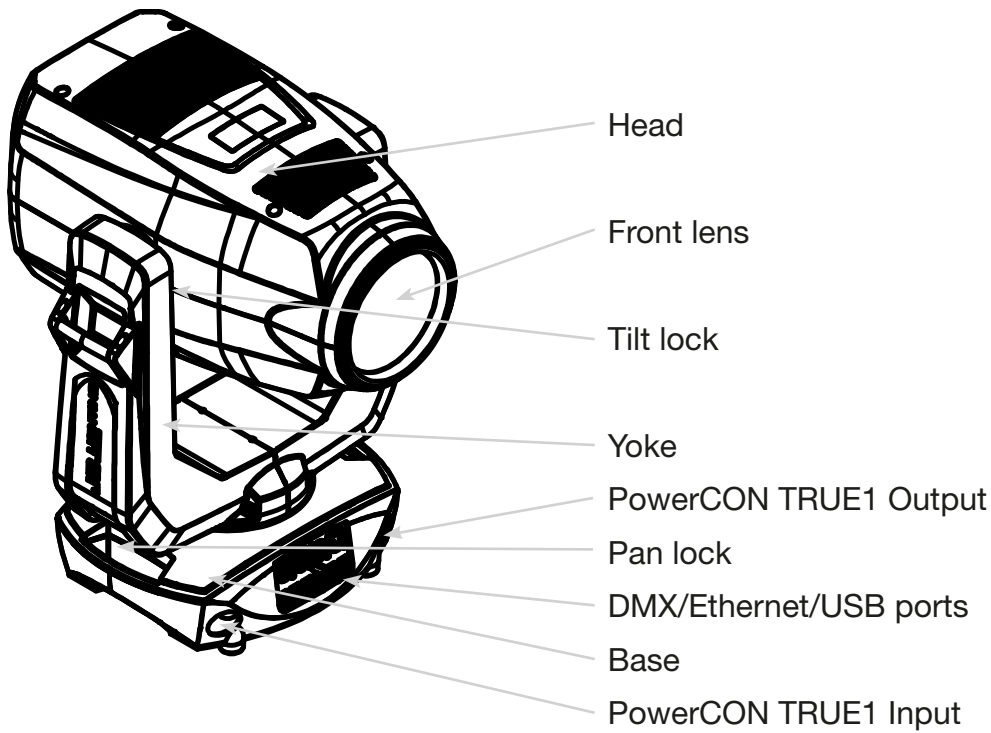
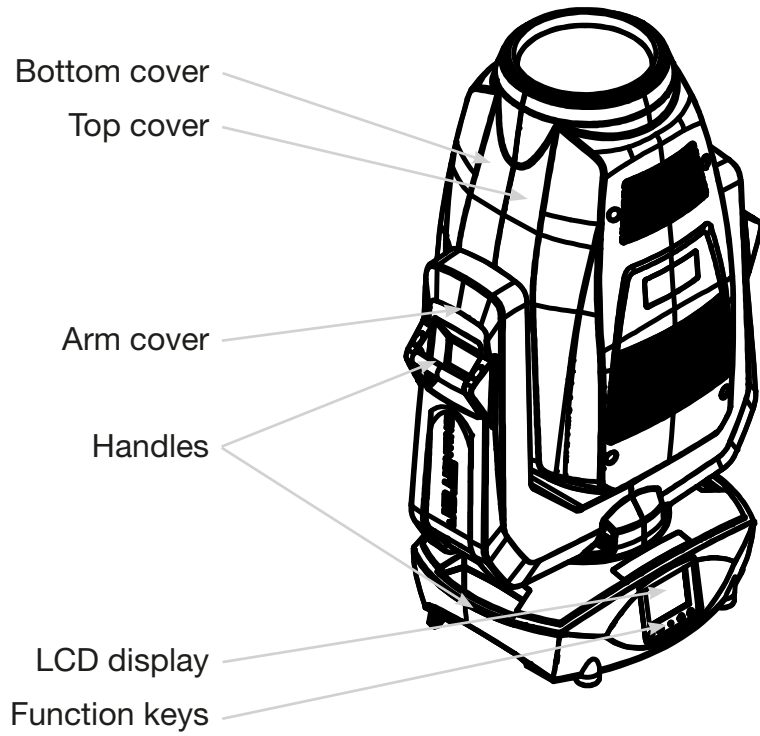
Content

1. Dimensions	04
2. Product overview	05
3. Introduction	06
3.1 P12 Profile/Spot models	06
3.1 Safety instructions	06
3.2 Unpacking the device	08
4. Installation	08
4.1 Fitting the plug to the connection cable	08
4.2 Mains connection	09
4.3 Wiring the power feed-through	09
4.4 Signal connections	10
4.4.1 DMX cabling	10
4.4.2 Ethernet cabling	10
4.4.3 Wireless reception	10
4.5 Mounting the devices	11
5. Control panel	12
5.1 Menu overview P12 Profile	14
5.2 FACTORY DEFAULTS - Factory settings	16
5.3 USER DEFAULTS - User settings	16
5.4 DMX / NET ADDRESS - DMX addressing / Artnet addressing / sACN addressing	16
5.5 PERSONALITY - Personal settings	16
5.6 STANDALONE operation	19
5.7 INFO-menu	20
5.8 Shortcuts - quick access	20
6. Control options	21
6.1 DMX	21
6.1.1 Operating modes P12 Profile	21
6.1.2 DMX channel functions P12 Profile	23
6.1.3 Operating modes P12 Spot	29
6.1.4 DMX channel functions P12 Spot	31
6.1.5 Control channel	37
6.1.6 Sparkle effect, sparkle speed	37
6.1.7 Auto focus	37
6.2 Artnet	38
6.3 Streaming ACN	38
6.4 Wireless-DMX	38
6.5 RDM	38
6.5.1 RDM-UID	38
6.5.2 RDM-PIDs	38
6.5.3 Standard RDM parameter IDs	39
6.5.4 Manufacturer specific RDM parameter IDs	39
6.5.5 RDM sensor IDs	40
7. Service	40
7.1 Service menu	40
7.2 Changing gobos	41
7.3 Gobo size	41
7.4 Shaper module / animation module	42
7.5 Software update	42
7.6 Testing of electrical equipment	42
7.7 Cleaning the device	43
7.8 Service and maintenance	43
8. Specifications	44
9. Declaration of Conformity	45

1. Dimensions



2. Product overview



3. Introduction

3.1 P12 Profile/Spot models

The P12 is available in 6 models. The models differ in the light module and partly in the color filters and in the CTC filters. The differences can be found in the DMX channel functions.

- **P12 Profile HP (High Power)**
- **P12 Profile HC (High CRI)**
- **P12 Profile WW (Warm white)**
- **P12 Spot HP (High Power)**
- **P12 Spot HC (High CRI)**
- **P12 Spot WW (Warm white)**



ATTENTION: For your own safety, please read these operating instructions carefully before first use.

This spotlight has left our company in excellent condition. To maintain this condition and to ensure safe operation, it is absolutely essential to observe the following safety instructions and warnings which are described in this operating manual.

The manufacturer accepts no liability for damage caused to the device by disregard of these operating instructions or unauthorised modifications.

Please note that damage caused by manual modifications to this unit is not covered by the warranty.



ATTENTION: This device is only suitable for professional use! Protection class IP 20 - only for use in dry environments (indoors)!

ATTENTION: JB-Lighting Lichtenlagentechnik GmbH does not authorise the use of its devices in life support systems. Life-supporting systems are systems whose purpose is to maintain or stabilise life and whose defect or malfunction may result in death or injury to persons.

The product in this manual complies with the following EU directives:

- Low Voltage Directive 2014/35/EU
- EMC Directive 2014/30/EU

3.1 Safety instructions



ATTENTION: Disconnect the device from the power supply before opening the device. You can suffer an electrical shock from touching live parts (high voltage).

Ensure that the mains voltage to be connected is not higher than that indicated on the type plate. This device should only be operated with the power source indicated on the type plate. If you are not sure what type of power supply you have, contact your dealer or power supplier.

Always disconnect the device from the power supply before carrying out cleaning work or before replacing fuses or parts.

The mains plug must always be accessible after the spotlight has been installed. Do not overload the sockets or extension cables as this could result in fire or electric shock. Do not place any objects on the power cable. Do not install the spotlight in such a way that people can trip over or step on the power cable. Make sure that the power cable can never be crushed or damaged by sharp edges. Check the unit and the power cable from time to time.

Leave maintenance work to a qualified technician!



ATTENTION: This fixture corresponds to protection class I. For this reason, this spotlight must be connected to a mains socket with earthing contact.

Never connect this device to a dimmer pack.

During first use, some smoke and odour may occur. This is normal and does not necessarily mean that the device is defective.

The device becomes hot during operation. Never touch the device with bare hands during operation!

When replacing fuses, only use the same types with identical values! Only have fuse replacement carried out by a qualified technician



ATTENTION: DAMAGE TO EYES! Do not look into the light source for long periods during operation. This can be harmful to the eyes. Attention: potentially hazardous radiation - Risk group 2 based on DIN EN 62471

If the device has been exposed to strong temperature fluctuations (e.g. after transport), the device must not be switched on immediately. The resulting condensation can damage your device. Leave the device switched off until it has reached room temperature.

If the P12 is operated below 0°, gobo/prism swapping and gobo/prism rotation are reduced in speed. This is a protective mechanism of the P12, as at low temperatures the lubricant is relatively viscous in the rotational mechanism and can therefore cause the effect to be slurred. From indoor temperatures of 1° and upwards, the spotlight runs normally! This temperature is quickly reached under normal operation (LED engine on).

Do not shake or knock the device. Avoid brute force during installation or operation.

This light was designed for indoor use only. Do not expose this device to rain or moisture.

When choosing a mounting location, make sure that the device is not exposed to extreme heat, moisture or dust.

Ventilation openings and slots in the head and foot of the spotlight are used for ventilation to ensure reliable operation of the device and to protect it from overheating, these openings must not be covered.

Never cover the front lens when the spotlight is in use.

The openings should never be covered with substances or other objects so that the airways are blocked.

This device must not be operated in an environment without adequate ventilation.

The device may only be operated when the housing is closed and all screws/Camlocs are firmly tightened.

The device must always be secured with an additional safety device.

Ensure that the area below the spotlight is clear during installation, alteration and removal.



ATTENTION: The distance between the light emission and the surface to be illuminated must be at least 2.0 metres.

The maximum ambient temperature of 45°C must not be exceeded.



ATTENTION: The front lens must be replaced if it is visibly damaged to the extent that its function is impaired, e.g. by cracks or deep scratches!

Do not operate the device until you have become familiar with its functions. Prevent operation by persons who are not qualified to use the device. Most damage is the result of improper operation! Please use the original packaging or specially adapted flight cases if the device is to be transported. When using the original packaging, the locks must not be closed!



ATTENTION: To avoid damaging the internal parts of the light head, never let sunlight shine directly into the front lens.

3.2 Unpacking the device

Contents of the packaging: This spotlight, two Omega brackets with original Camloc fasteners, powerCON-TRUE1 cable and a safety note. These instructions are included in the shipment. Open the packaging at the top and remove the powerCON TRUE1 cable, the inlay and the safety instructions. The Omega brackets are located under the spotlight. Check the P12 for possible transport damage. This should be communicated immediately to the transport company.

4. Installation

4.1 Fitting the plug to the connection cable



ATTENTION: Only have plugs installed by a specialist!

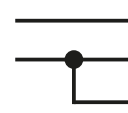
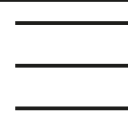
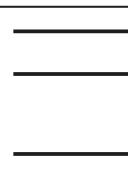
The P12 spotlight is supplied with a partially assembled power cable with the powerCON-TRUE1 plug (only the powerCON-TRUE1 plug is included in the US version). The installation of the safety plug or the connection of the P12 to the power supply (100-240 Volt, 50 - 60 Hertz) must be carried out by an authorised specialist.


Connection in Germany/Europe:

Wire colour	Function	Symbol
Brown	Phase	“L”
Blue	Neutral wire	“N”
Green/Yellow	Protective earth	“PE”

Connection outside Europe:

The P12 may only be operated on the following power supply systems:

	Mains		P12
2 wires, 1 phase	L N		L N PE
3 wires, 1 phase	L N L		L N
4 wires, 3 phases	L ₁ L ₂ L ₃ N		L N PE


 **ATTENTION:**
In Canada, the P12 may only be operated in a 2-wire, 1 phase network with a maximum voltage of 120V!

4.2 Mains connection


Connected loads: Voltage 100-240 V, frequency 50 - 60 Hz, power max. 800 VA

The electrical safety and function of the device can only be guaranteed if it is connected to a properly installed protective conductor system. It is very important that this basic safety requirement is met. If in doubt, have the electrical installation checked by a specialist. The manufacturer cannot be held responsible for damage caused by a missing or interrupted protective conductor (e.g. electric shock)! Only use the device when it is completely assembled so that no electrical components can be touched. **(Danger 100-240 V)**

If you have observed the listed points, you can plug in the devices or have them connected to the mains by a specialist.


 **ATTENTION:** The P12 can light up immediately if standalone operation is activated or a DMX signal is present!

4.3 Wiring the power feed-through

 **ATTENTION:** Only have it carried out by a specialist!

The P12 has a powerCON-TRUE1 out power output. Depending on the local conditions several devices can be linked by powerCON-TRUE1 in and powerCON-TRUE1 out. Connect a maximum of four (when using 230V/16A) P12s in a row.

Use an approved three-core cable with a cross-section of at least 1.5 mm². Cabling must be done with the original Neutrik coded plugs. The installation instructions of the manufacturer (www.neutrik.com) and the colour coding of the cable must be observed.

Wire colour	Function	Symbol
Brown	Phase	“L”
Blue	Neutral wire	“N”
Green/Yellow	Protective earth	“PE” 

4.4 Signal connections

4.4.1 DMX cabling

The DMX cabling (signal lines) should be done with a 4-pin cable with shielding. We recommend a DMX cable (110 Ohm, 2x0.22mm² or 4x0.22mm²). The plugs and sockets are 5-pin XLR connectors, which can be purchased in specialist shops.

Pin assignment:

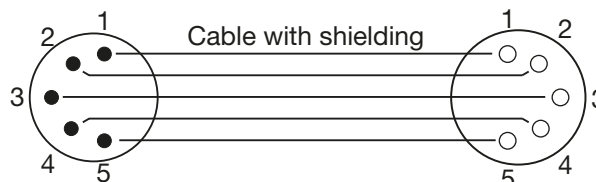
Pin1 = Ground/Shielding

Pin2 = DMX -

Pin3 = DMX +

Pin4 = not connected

Pin5 = not connected



The P12 has a DMX-in and DMX-out connector. Now connect the DMX output of your controller to the 1st P12 (Controller DMX-Out -> P12 DMX-In). Then the 1st P12 with the 2nd P12 (P12 DMX-Out -> P12 DMX-In) and so on. In some cases it is advisable to insert a so-called end connector (XLR connector with a 120 Ohm resistor between pin 2 and pin 3). Whether an end connector is required depends on various factors, including the cable lengths used and the number of devices. However, as long as no problems occur in the DMX line, this is not necessary.

4.4.2 Ethernet cabling

Ethernet cabling can be done with standard network lines. The sockets on the device are Neutrik etherCON sockets. Special cables with etherCON connectors are recommended by Neutrik. The two sockets on the P12 are connected to each other via a switch. Up to 10 devices can be connected in series without any delay. Of course, the spotlights can also be supplied in a star configuration via an external switch. The received signal can be output via DMX. To do this, set the DMX OUTPUT CONFIG setting to ON in the PERSONALITY menu. After confirming with ENTER, the spotlight emits the entire universe received via DMX.



ATTENTION: Make sure that there is no signal at the DMX input at the same time !!

4.4.3 Wireless reception

The P12 is equipped as standard with a **LumenRadio** CRMX receiver for wireless DMX. The receiver can process both DMX and RDM. If a cable and wireless connection are connected to the P12, the cable connection has priority! The received signal can be output via DMX. To do this, set the DMX OUTPUT CONFIG setting to ON in the PERSONALITY menu. After confirming with ENTER, the spotlight emits the entire universe received via DMX.



ATTENTION: Make sure that there is no signal at the DMX input at the same time !!

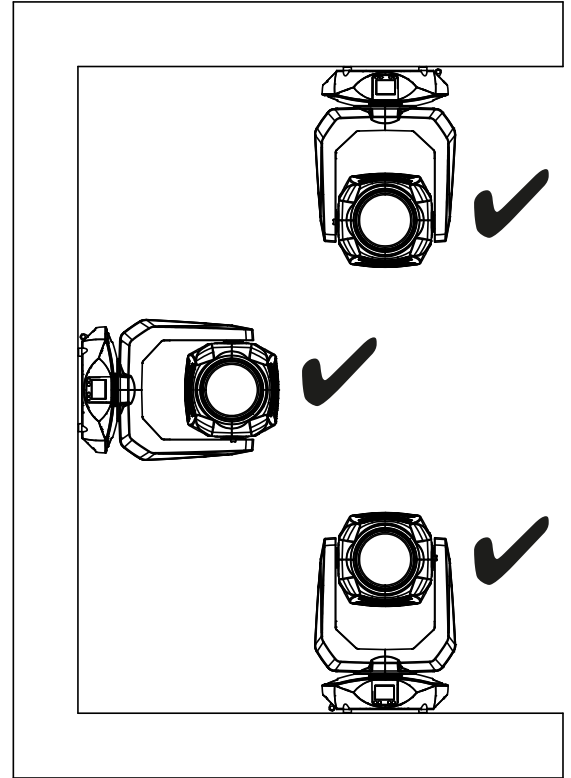
4.5 Mounting the devices



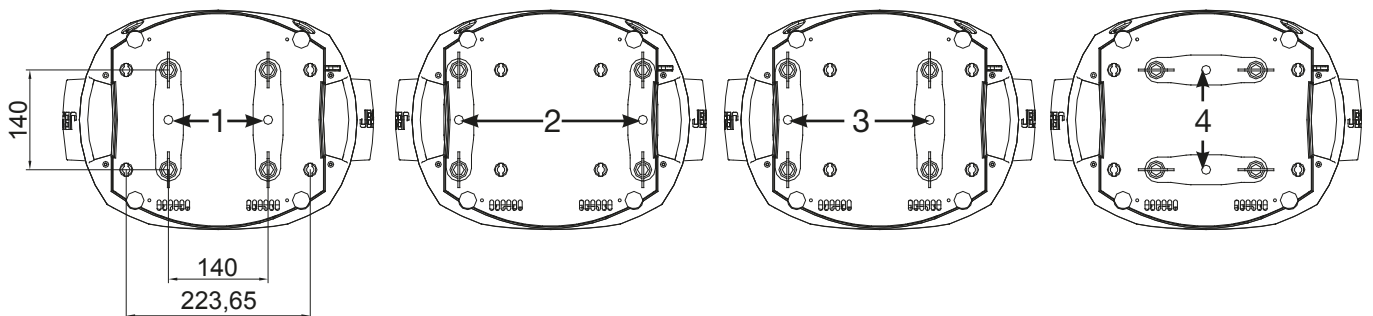
ATTENTION: Allow a fixture distance of at least 0.5 metres from easily flammable material and the distance between the light emission and the surface to be illuminated must be at least 2.0 meters.

The P12 can be placed on the floor or hang on a trussing system. Also a mounting horizontally to a truss system like in the picture is allowed.

When placing the unit on the floor make sure that it stands on rigid ground, because the air inlets in the base must not be covered with anything!



To mount the unit on a trussing system use two of the original JB-Lighting omega brackets with original Camloc-connectors. You have following four possibilities to mount the omega brackets.



The Camlocs must snap in to be locked properly. Ensure that the structure (truss) to which you are attaching the fixture is secure. If you install the fixture to a truss always attach a safety cable, that can hold at least 10 times the weight of the fixture.

5. Control panel

The P12 has a graphic colour touch display that can be rotated 180° when installed in a suspended position. The display can be rotated in the PERSONALITY MENU or via shortcut ENTER + UP in the main screen.

All parameters of the P12 can be set on the control panel (see menu overview page 14).

Function and operation of the display

The main menu provides information regarding the set DMX mode and, when the wireless mode is switched on, the field strength of the associated transmitter module. "ENTER" calls up a sub-menu or confirms an input. "ESC" is used to exit a function or a menu item. "UP" and "DOWN" are used to navigate within the menu and to enter values.



Special areas can only be called up using a specific key combination. To do this, press and hold the "ENTER" key and then use the opposite "ESC" key to access the menu. To exit the function, proceed in reverse order.

This applies in the SERVICE area for the FINE ADJUST function and in the STANDALONE area for the MODIFY, RUN and REMOTE functions.

The main menu can also be locked to prevent unintentional access. It is also locked by pressing the "ENTER" key (keep it pressed) and then additionally locking it with the opposite "ESC" key.

From software 1.5 onwards, all functions can also be operated via the touch display.

Display illumination as function display

The display illumination remains switched off during the reset. Slowly flashing display illumination when "JB-Lighting" is displayed means no DMX signal is present.

A very rapidly flashing display illumination when "JB-Lighting" is displayed means that a new error has been stored in the "ERROR LIST", also an error message in the display (e.g. *PAN TIMEOUT) indicates this current error. This error occurs during this reset or in the operation before. This error is now automatically set to "read", but remains in the "ERROR LIST".

A rapidly flashing display illumination shows an error in the "ERROR LIST" is still in it but has already been confirmed or was automatically confirmed. Only when the error has been deleted from the ERROR LIST does the P12 start again without error signalling.

If errors occur again and again contact the dealer / distributor or our service department.

If the P12 receives a DMX signal, the display illumination goes out after 30 seconds.

Further settings for the display illumination see page 18 BACKLIGHT MODE.

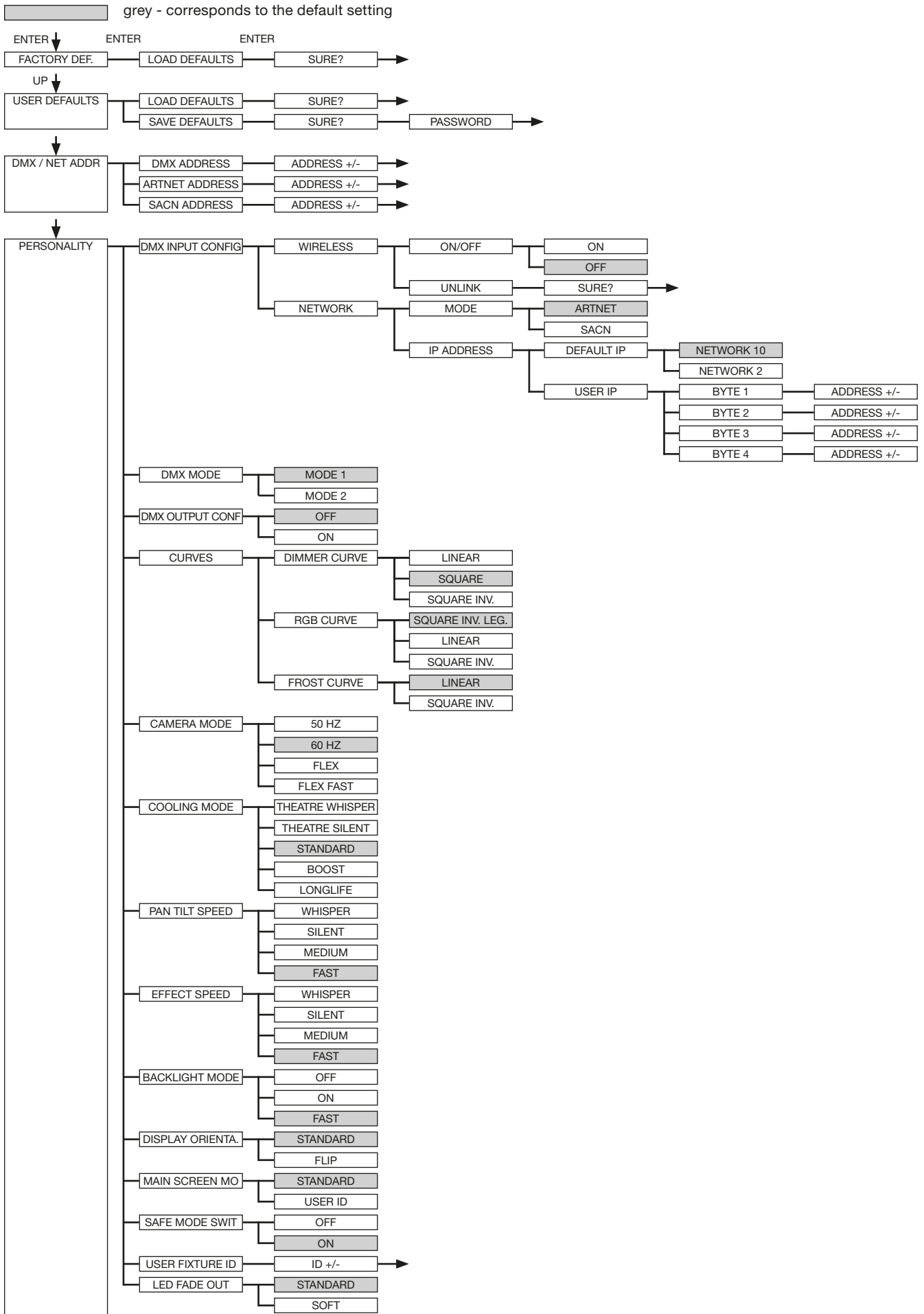
DMX addressing

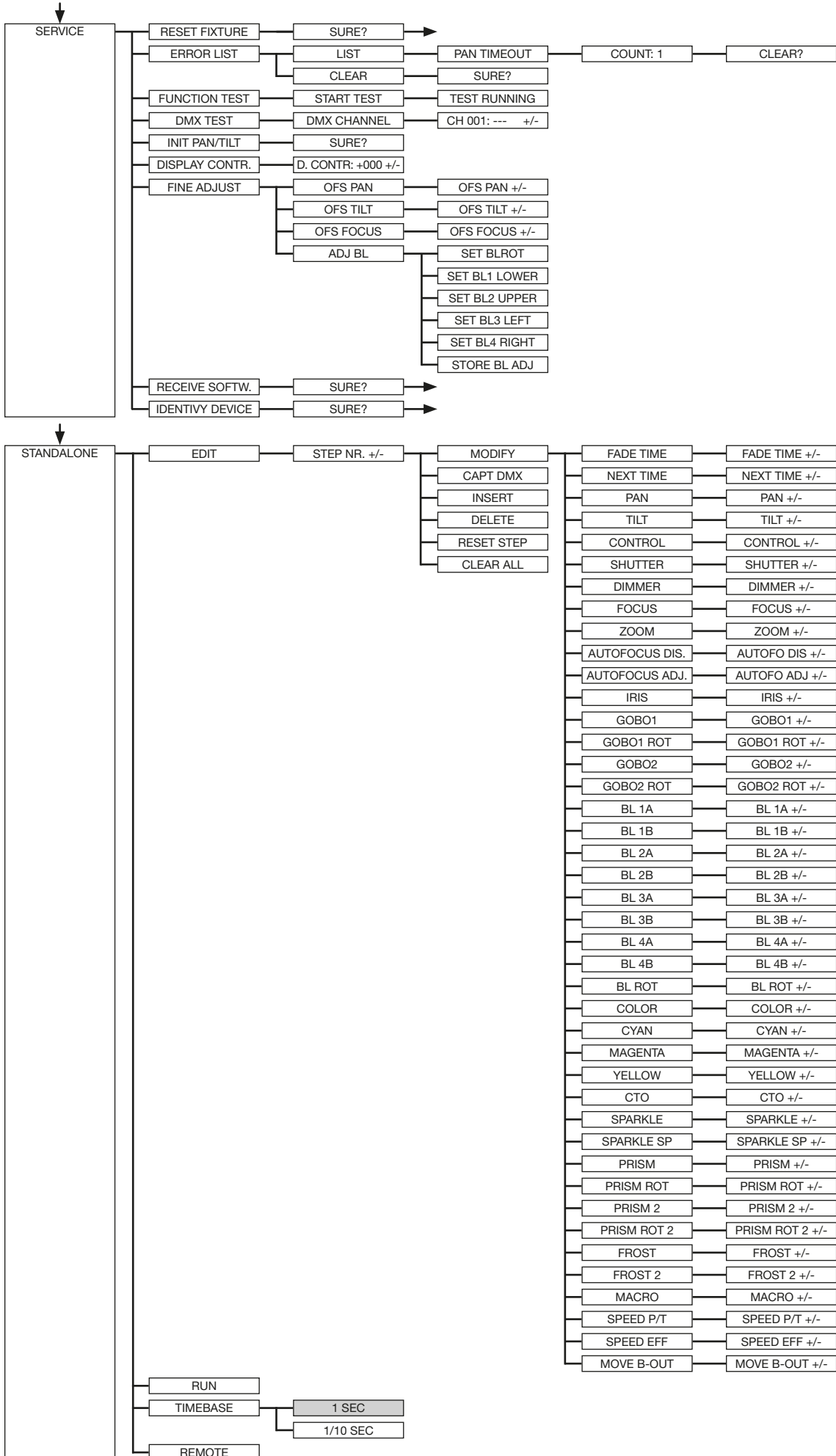
In the main menu, the DMX address can be set directly by pressing the up/down keys.

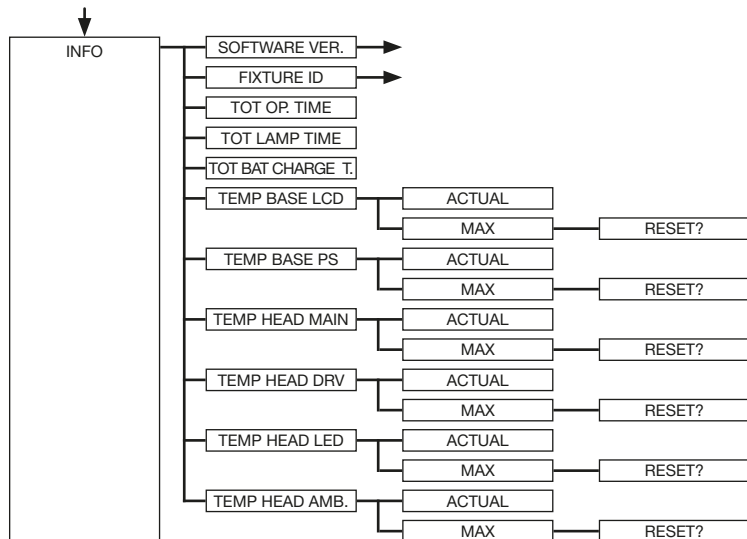
Display operation via battery backup

By pressing the left button below the display, the configuration battery operation of the headlamp is activated, so the headlamp can be configured without power. It is possible to configure all the settings displayed by the menu, for example the DMX address can be set.

5.1 Menu overview P12 Profile







5.2 FACTORY DEFAULTS - Factory settings

To reset P12 to the factory settings, go to the menu item FACTORY DEFAULTS, LOAD DEFAULTS. After confirming the security prompt SURE? with "ENTER", all parameters are reset to the factory settings.

5.3 USER DEFAULTS - User settings

If the user has set the P12 in the PERSONALITY menu to their personal settings, these can be saved and loaded in the USER DEFAULTS menu. In order to prevent unintentional alteration of the data, you must enter the following password during the saving process: Buttons "ESC DOWN UP ENTER"

5.4 DMX / NET ADDRESS - DMX addressing / Artnet addressing / sACN addressing

The DMX addressing can be done either directly in the display. Press the "UP" or "DOWN" button to set the desired DMX address. The value is confirmed with the "ENTER" key. However, the DMX addressing can also be done within the menu item DMX / NET ADDR, and there under DMX ADDRESS.

To set the Artnet address, the menu item ARTNET ADDRESS must be selected in the DMX / NET ADDR menu. The Artnet address can now be set using the UP / DOWN buttons. The Artnet address is displayed in the form 000.00.00. This display corresponds to: Net.Subnet.Universum. The sACN address can then be selected in the DMX / NET ADDR -> sACN ADDRESS menu. The address can now be set using the UP / DOWN buttons. The sACN address is displayed in the form 00000.

5.5 PERSONALITY - Personal settings

DMX INPUT CONFIG

In this menu item the options WIRELESS and NETWORK are available.

Under WIRELESS -> ON / OFF the factory-installed radio DMX receiver module of Lumen-Radio can be activated or deactivated and via WIRELESS -> UNLINK the connection to the connected transmitter can be deleted. In order to connect the fixture to a transmitter, wireless must be set to ON on the fixture and the connection button must be pressed briefly on the transmitter. The transmitter is now looking for all fixtures where wireless is enabled and fixtures that are not connected to a transmitter. If the P12 has successfully connected to the transmitter, the display shows a level indication of the current reception quality. If the P12 is additionally connected via the DMX / etherCON connection sockets, these signals have priority over the radio link. Using the key shortcut ESC and DOWN, pressed in the main menu, the headlamp can be booked out of the booked transmitter (see page 20).

Under NETWORK -> MODE you can toggle between Artnet operation and sACN operation. For network operation, the IP address of the spotlight must be selected or set under NETWORK -> IP ADDRESS. Each headlight has a unique standard IP address.

Under IP ADDRESS -> DEFAULT IP this can be changed from the network 10.xxx.xxx.xxx to a network 2.xxx.xxx.xxx. For your own self-definable IP address, you can set your own desired IP address under IP ADDRESS -> USER-IP. This address is divided into BYTE1 to BYTE 4 and can be set one after the other.

DMX MODE - setting the operation mode

The P12 has 2 operating modes (see channel assignment page 21). All parameters of P12 can be operated via mode 1. However, all channels (except pan/tilt) are controlled with 8 bits. By selecting Mode 2 - 16 Bit the gobo, prism rotation, CMY/CTO, dimmer, focus, zoom, the complete shutter slide unit as well as pan/tilt are controlled via 16 Bit.

DMX OUTPUT CONFIG - configuration of the DMX output

Under this menu item, the DMX output of the headlamp can be activated, that is a received Art-net, or wireless DMX signal can be output by activating this menu item -> ON via the DMX socket again. Make sure that there is no signal at the DMX input at the same time !!

CURVES - setting dimmer, RGB/CMY, frost curve

Dimmer curve:

The dimmer curve can be changed from SQUARE to LINEAR and to SQUARE INV.. The “exponential” dimmer curve (factory setting) causes the dimmer to fade in and out more smoothly.

RGB/CMY curve:

3 different curves can be set for the RGB / CMY curve. SQUARE INV. LEGACY is the original curve of the P12. The SQUARE-INV.LEGACY curve causes a visually more uniform retraction. LINEAR and SQUARE INV., Are the two adapted curves on the P18 MK2.

Frost curve:

The frost curves can be changed from linear to invers exponential (square inv.). The “invers exponential” frost curve causes the frost to fade in and out more smoothly.

CAMERA MODE - setting the repetition frequency of the LEDs

To avoid flickering during TV recordings, the P12 can be adjusted from 50 HZ (PAL, Secam, repetition rate 100Hz) to 60 HZ (NTSC, repetition rate 100Hz) for different camera systems. Flex mode (repetition rate 600Hz is set when using different camera systems or when shooting with mobile phone cameras or similar non-professional cameras. A HighFlex mode is also available. In this mode, the repetition frequencies are set to 3 kHz, which is necessary to ensure smooth movements in dimmed lighting scenes. The factory setting of the P12 is 60 Hertz. The changeover is also possible with the light mixing console via the control channel.

COOLING MODE - adjustment of brightness and fan volume

In the COOLING MODE menu item you can set the fan control and the brightness of the P12. The following settings are available.

THEATRE WHISPER: Brightness 19000lm, volume 29dB(a). In this mode, the spotlight runs at the same brightness up to an ambient temperature of 40°C. It is not necessary to speed up the fans in this mode.

THEATRE SILENT: Brightness 21000lm, from 40°C ambient temperature the spotlight regulates the fans a little up thus remains that the brightness is always the same level.

STANDARD: Brightness 23000lm, from an ambient temperature of approx. 36°C the fans run to cool the LED accordingly. The brightness remains constant.

BOOST: Brightness 25000lm, the fans run a little stronger in this mode, from approx. 40° ambient temperature the fans run again accordingly.

LONGLIFE: Brightness 21000lm, the fans run a little stronger in this mode, from approx. 40° ambient temperature the fans run again accordingly. We would recommend this mode for permanent installations, as the LED module runs cooler and thus more “stress-free”.

There is no danger to the life of the device in any mode, as the P12 has a temperature safety shutdown. In addition, the LED module is switched off from an ambient temperature of 60°C!

PAN TILT SPEED - setting pan/tilt speed

In the PAN TILT SPEED menu you can set the maximum speed, the acceleration and thus also the movement volume of the P12. The following setting options are available.

WHISPER: The speed of Pan / Tilt is reduced so much that a volume of 29dB (A) is not exceeded.

SILENT: The speed of Pan / Tilt is slightly faster and thus louder as compared to the Whisper setting.

MEDIUM: The acceleration and deceleration ramps are set very soft so that the headlamp brakes softly and starts.

FAST: The acceleration and deceleration ramps are set very hard so that the headlamp moves very fast and directly at maximum speed.

EFFECT SPEED - setting effect speed

In the menu item EFFECT SPEED you can set the maximum speed, the effects and thus also the volume of the effects of the P12. The following setting options are available.

WHISPER: The speed of the effects is reduced so much that a volume of 29dB (A) is not exceeded.

SILENT: The speed of the effects is slightly faster and thus a bit louder than with the Whisper setting.

MEDIUM: The acceleration and deceleration ramps of the effects are set very soft, so that the effects are very soft and thus cause little noise.

FAST: The acceleration and deceleration ramp effects are set to maximum speed. Very fast gobo and color changes are possible!

BACKLIGHT MODE - setting the display backlight

This menu item controls the backlight of the display.

OFF: The backlight of the display is always off. The lighting only switches on when a button is pressed. Errors that are indicated by flashing are not displayed in this mode.

ON: The backlight of the display is always on.

AUTO: The backlight is switched on / off due to the action.

DISPLAY ORIENTATION - setting the display orientation

This menu item turns the display orientation. The display can also be rotated when the shortcut ENTER and UP is pressed in the main screen.

MAIN SCREEN MODE - view of the main screen

With this menu item the display of the main screen can be changed. Either the standard (STANDARD) screen is displayed with DMX address and DMX mode or the USER FIXTURE ID. This ID is used to number the headlights and to display this number in the display.

SAFE MODE SWITCH - setting of the safe mode switch

This setting can be used to decide whether switching the menu item COOLING MODE can be done directly "OFF" or whether for safety the dimmer and the shutter of the fixture must be closed before switching. -> "ON"

USER FIXTURE ID - adjustment of the user fixture ID

Used to set the USER FIXTURE ID (0-65535). This can be displayed via MAIN SCREEN MODE and serves as an info display of the headlight number.

LED FADE OUT - type of dimming

Used to set how to dim the lower range from 0-5%.

STANDARD: When dimming the headlamp, all LED's dim out at the same time.

SOFT: When the headlamp is dimmed, the LED's are dimmed out in groups (in a row) one row after the other.

5.6 STANDALONE operation

In standalone operation, up to 20 program steps can be stored in the P12, which can then run in an endless loop. The images can be saved in two ways. Either you program the desired DMX values directly on P12 and save them, or you set the DMX values via a connected DMX console and then store them in the P12.

The menu items MODIFY, RUN and REMOTE can only be called up using a specific key combination. To do this, press and hold "ENTER", and also press "ESC". Before activating these menu items, remove all other devices in the DMX line that send DMX, e.g. consoles or other spotlights that are not configured as slave devices, as otherwise damage to the DMX drivers may occur.

Programming the standalone programme on the spotlight display:

Call up the STANDALONE, EDIT menu item. In the STEP NR+/- menu item, select the desired step and you can change it and its channel parameters in the following menu items: In the MODIFY menu item, set the desired lighting scene and position and determine the individual sequence times of the steps with FADE TIME and NEXT TIME (time for the complete step).

Use INSERT to insert an additional programming step. The DMX values of the previous step are copied to the new step.

Use DELETE to delete a step. The display shows STEP NR: 1/X. Use the selection keys to move to the desired step.

With RESET STEP you reset one step to its default values (DMX 000). The display shows STEP NR: 1/X. Use the selection keys to select your step. CLEAR ALL resets the complete standalone programming steps. Under MODIFY you will find STEP1/1 again. In the STANDALONE, TIMEBASE menu item you have the possibility to change the Fade Time and Next Time from 1 second to 1/10 second.

Accept the DMX values from an external console:

To accept the DMX values of a connected console, you must first enable the Capture DMX input. To do this, go to the CAPT DMX menu item. The display now shows CAPTURE DMX 01/01, press the Enter key to switch to START CAPTURE. Now the P12 reacts to the signals from the external console.

Launch the standalone program:

Call up the STANDALONE menu and navigate to the RUN submenu. Confirm the selection by pressing the key combination "ENTER" (press and hold) and simultaneously "ESC". The display then shows: S-ALONE: 01/XX and the program runs in an endless loop.

Deactivation: Press and hold the "ESC" key and then also press "ENTER". The menu jumps back one level and RUN appears in the display.

Operation via master-slave function:

Connect the P12 via DMX lines and activate the REMOTE menu item for all slave devices. To do this, navigate in the STANDALONE menu to the REMOTE sub-menu. Activate the REMOTE function by pressing and holding "ENTER", and also pressing "ESC". The spotlight is in slave mode when the display shows the status REMOTE INACTIVE or REMOTE ACTIVE.

REMOTE INACTIVE: The P12 is in slave mode but does not receive a DMX signal.

REMOTE ACTIVE: The P12 is in slave mode and receives a DMX signal.

The master device is programmed via the MODIFY menu item and started via RUN (press and hold "ENTER" and also press "ESC").

From spotlight software 1.5 the standalone operation can also be programmed via the App we offer.

5.7 INFO-menu

The Info menu informs you about the respective software, the fixture id, about the total operating time and the different temperatures of the spotlight. The first two menu items in the Info area are the software version and the fixture ID, whereby the software version is an important source of information for our service requests, the fixture ID is less important source of internal information. Under the menu item TOT OPERATE TIME the complete operating time of the headlight is displayed. The menu item TOT LAMP TIME provides information about the pure operating time of the LED module. TOT BAT CHARGE TIME shows the complete charging time of the battery (battery backup). The TOT OPERATE TIME and the TOT BAT CHARGE TIME can not be deleted! The following temperatures are also displayed:

TEMP BASE LCD, the temperature on the display board

TEMP BASE PS, the temperature of the power supply unit

TEMP HEAD MAIN, the temperature of the head board

TEMP HEAD DRV, the temperature of the LED driver board

TEMP HEAD LED, the temperature of the LED module

TEMP HEAD AMBIENT, the temperature in the head next to the air inlet (ambient temperature)

Both the current temperature and the maximum temperature are displayed. The maximum temperatures can be individually deleted.

5.8 Shortcuts - quick access

ESC + DOWN

Pressing the ESC and DOWN buttons in the main menu will log the fixture off the programmed Lumen Radio Wireless transmitter. The fixture is now ready to be logged in another transmitter.

ENTER + UP

If ENTER + UP is pressed in the main screen, the screen orientation is rotated by 180 °.

ENTER + ESC

By pressing the ENTER and ESC key, the fixture is locked for user input -> LOCKED. ESC and ENTER release the lock again!

6. Control options

6.1 DMX

6.1.1 Operating modes P12 Profile

The P12 Profile has 2 different DMX modes. The respective mode can be set in the PERSONALITY, DMX MODE menu item. The set mode is displayed in the main menu.

	Mode 1(M1)	Mode 2 (M2)
Channel 1	Pan	Pan
Channel 2	Pan fine	Pan fine
Channel 3	Tilt	Tilt
Channel 4	Tilt fine	Tilt fine
Channel 5	Control channel	Control channel
Channel 6	Shutter	Shutter
Channel 7	Dimmer	Dimmer
Channel 8	Focus	Fine dimmer
Channel 9	Zoom	Focus
Channel 10	Autofocus distance	Fine focus
Channel 11	Autofocus balancing	Zoom
Channel 12	Iris	Fine zoom
Channel 13	Gobo 1	Autofocus distance
Channel 14	Gobo 1 rotation	Autofocus balancing
Channel 15	Gobo 2	Iris
Channel 16	Gobo 2 rotation	Fine iris
Channel 17	Aperture 1a	Gobo 1
Channel 18	Aperture 1b	Gobo 1 rotation
Channel 19	Aperture 2a	Gobo 1 fine rotation
Channel 20	Aperture 2b	Gobo 2
Channel 21	Aperture 3a	Gobo 2 rotation
Channel 22	Aperture 3b	Gobo 2 fine rotation
Channel 23	Aperture 4a	Aperture 1a
Channel 24	Aperture 4b	Aperture 1a fine
Channel 25	Aperture rotation	Aperture 1b
Channel 26	Colour wheel	Aperture 1b fine
Channel 27	Cyan	Aperture 2a
Channel 28	Magenta	Aperture 2a fine
Channel 29	Yellow	Aperture 2b
Channel 30	CTO	Aperture 2b fine
Channel 31	Sparkle	Aperture 3a
Channel 32	Sparkle speed	Aperture 3a fine
Channel 33	Prism 1	Aperture 3b
Channel 34	Prism 1 rotation	Aperture 3b fine
Channel 35	Prism 2	Aperture 4a
Channel 36	Prism 2 rotation	Aperture 4a fine
Channel 37	Frost 1	Aperture 4b
Channel 38	Frost 2	Aperture 4b fine
Channel 39	Effects macro	Aperture rotation
Channel 40	Pan/tilt speed	Fine aperture rotation

Channel 41	Effect speed	Colour wheel
Channel 42	Blackout Move	Cyan
Channel 43		Fine cyan
Channel 44		Magenta
Channel 45		Fine magenta
Channel 46		Yellow
Channel 47		Fine yellow
Channel 48		CTO
Channel 49		CTO fine
Channel 50		Sparkle
Channel 51		Sparkle speed
Channel 52		Prism 1
Channel 53		Prism 1 rotation
Channel 54		Prism 1 fine rotation
Channel 55		Prism 2
Channel 56		Prism 2 rotation
Channel 57		Prism 2 fine rotation
Channel 58		Frost 1
Channel 59		Frost 2
Channel 60		Effects macro
Channel 61		Pan/tilt speed
Channel 62		Effect speed
Channel 63		Blackout Move






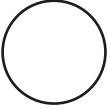
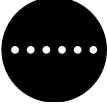



6.1.2 DMX channel functions P12 Profile

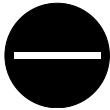

M1	M2	M3	Function	DMX
1	1		Pan (X) movement 546,74°	000-255
2	2		Pan (X) fine (16 Bit)	000-255
3	3		Tilt (Y) movement 281,16°	000-255
4	4		Tilt (Y) fine (16 Bit)	000-255
5	5		<p>Control channel To enable uniform dimming manually via faders for all light mixing consoles, 5 different settings for the DMX smoothing are available. If the DMX signal is interrupted or too few packets are sent on some DMX consoles, the response of the Sparx 18/30 can be adjusted with this channel. The Minimum DMX Smoothing setting should work on most popular consoles. The values for DMX smoothing must be permanent. For the other values, such as cooling mode, color temperature, zoom modes, camera mode, reset, the values must be applied for 2 seconds, then the device will be permanently switched (Same setting as in the PERSONALITY menu).</p> <p>Setting for minimal DMX smoothing (A dimmed shutter sequence is possible) Dimmer fade out via fader (fast - slow) not used</p> <p>Setting for minimum / medium DMX smoothing Dimmer fade out via fader (fast - slow) not used</p> <p>Setting for medium DMX smoothing Dimmer fade out via fader (fast - slow) not used</p> <p>Setting for medium / maximum DMX smoothing Dimmer fade out via fader (fast - slow)</p> <p>BACKLIGHT MODE - Display backlight configuration AUTO - the fixture controls the backlight automatically ON - the backlight is always on OFF - the backlight is always off until a key is pressed</p> <p>DISPLAY ORIENTATION - display flip or not STANDARD - the display can be read when the headlamp is on a surface FLIP - the display orientation is rotated by 180 °, hanging readable not used</p> <p>MAIN SCREEN MODE - view of the main screen STANDARD - the main screen displays the DMX address, the DMX mode, and when wireless is enabled, the field strength. USER FIXTURE ID - the main screen displays the user definable fixture ID / head-light number not used</p> <p>USER FIXTURE ID SET - Scheinwerfernummer setzen SET - the USER ID can be set. The headlamp takes the 16-bit value of Pan for the USER ID not used</p>	<p>000-007 008-031</p> <p>032-039 040-063</p> <p>064-071 072-095</p> <p>096-103</p> <p>104-104 105-105 106-106</p> <p>107-107 108-108 109-109</p> <p>110-110 111-111 112-112</p> <p>113-113 114-127</p>

	<p>Setting for maximum DMX smoothing Dimmer fade out via fader (fast - slow)</p>	128-135
	<p>DIMMER CURVE - selection of dimmer curve LINEAR - linear dimmer curve SQUARE - exponential dimmer curve SQUARE INVERSE - exponential inverse dimmer curve not used</p>	136-136 137-137 138-138 139-139
	<p>RGB/CMY CURVE - selection of RGB/CMY curve SQUARE INVERSE LEGACY - Exponential inverse legacy RGB/CMY curve LINEAR - linear RGB/CMY curve adapted to P18 MK2 SQUARE INVERSE - Exponential inverse RGB/CMY curve adapted to P18 MK2</p>	140-140 141-141 142-142
	<p>FROST CURVE - selection of frost curve LINEAR - linear frost curve SQUARE INVERSE - Exponential inverse frost curve not used</p>	143-143 144-144 145-145
	<p>PAN/TILT SPEED - selection of PAN/TILT speed WHISPER SILENT MEDIUM FAST</p>	146-146 147-147 148-148 149-149
	<p>EFFECT SPEED - selection of effect speed WHISPER SILENT MEDIUM FAST</p>	150-150 151-151 152-152 153-153
	<p>LED FADE OUT MODE - selection of dimming out STANDARD SOFT not used</p>	154-154 155-155 156-159
	<p>COOLING MODE - Adjust the fan volume and brightness This takes place with dimmer / shutter set to closed (DMX 000) then after 2 seconds the fixture will switch this option, except the switch "SAFE MODE SWITCH" in the PERSONALITY menu is set to OFF, then the changeover can take place directly without dimmer and shutter having to be closed. THEATRE WHISPER THEATRE SILENT STANDARD BOOST LONGLIFE not used</p>	160-160 161-161 162-162 163-163 164-164 165-207
	<p>CAMERA MODE - Setting the LED refresh rate 50Hz 60Hz FLEX - 600Hz High FLEX - 3kHz not used</p>	208-215 216-223 224-227 228-231 232-239
	<p>RESET - a basic reset of the fixture is carried out Reset nicht belegt</p>	240-247 248-255

6	6	<p>Shutter Shutter closed Shutter open Open pulsing shutter >20Hz (rapid - slow) Shutter open Fade effect with dimmer (slow - rapid) Shutter open Shutter closed Open pulsing shutter <20Hz (rapid - slow) Shutter open Close pulsing shutter >20Hz (rapid - slow) Shutter closed Shutter fade, 0% (rapid - slow) Shutter open Shutter fade, 100% (rapid - slow) Shutter closed Random shutter 100% (rapid - slow) Shutter open Random shutter 0% (rapid - slow) Shutter closed Random shutter fade, 0% (rapid- slow) Shutter open Random shutter fade, 100% (rapid- slow) Shutter open</p>	000-015 016-095 096-110 111-111 112-125 126-126 127-126 128-142 143-143 144-158 159-159 160-174 175-175 176-190 191-191 192-206 207-207 208-222 223-223 224-238 239-239 240-254 255-255
7	7	Dimmer 0 - 100%	000-255
	8	Dimmer fine (16Bit)	000
8	9	Focus 0-100%	000-255
	10	Focus fine (16 Bit)	000-255
9	11	Zoom 0 -100% (near 5.7° - far 60°)	000-255
	12	Zoom fine (16 Bit)	000-255
10	13	<p>Auto focus distance Auto focus off Auto focus 0 m - 25,5 m (0 =off, DMX / 10 = distance)</p>	000-001 002-255
11	14	<p>Auto focus adjust (no function, not needed) Auto focus adjust - DMX 128 center</p>	000-255
12	15	Iris 0-100% (open -> closed)	000-255
	16	Iris fine (16Bit)	000-255
13	17	<p>Gobo wheel 1 Gobo 0 (open)</p> <p>Gobo 1</p>	000-007 008-015



		Gobo 2		016-023
		Gobo 3		024-031
		Gobo 4		032-039
		Gobo 5		040-047
		Gobo 6		048-127
		Gobo 0 (open)		128-135
		Gobo 1 shake (fast - slow)		136-143
		Gobo 2 shake (fast - slow)		144-151
		Gobo 3 shake (fast - slow)		152-159
		Gobo 4 shake (fast - slow)		160-167
		Gobo 5 shake (fast - slow)		168-175
		Gobo 6 shake (fast - slow)		176-191
		Gobo wheel rotation (fast - slow)		192-223
		Gobo wheel rotation (fast - slow)		224-255
14	18	Gobo positioning/rotation 1 Gobo positioning 0° - 540° Gobo rotation, right (rapid - slow) Stop gobo rotation Gobo rotation, left (slow - rapid)		000-191 192-222 223-224 225-255
	19	Gobo positioning/rotation 1 fine (16 Bit)		000-255
		Gobo wheel 2 - rotating gobos Gobo 0 (open)		000-007
		Gobo 1		008-015
		Gobo 2		016-023
		Gobo 3		024-031
		Gobo 4		032-039

15	20	Gobo 5		040-047
		Gobo 6		048-127
		Gobo 0 (open)		128-135
		Gobo 1 shake (fast - slow)		136-143
		Gobo 2 shake (fast - slow)		144-151
		Gobo 3 shake (fast - slow)		152-159
		Gobo 4 shake (fast - slow)		160-167
		Gobo 5 shake (fast - slow)		168-175
		Gobo 6 shake (fast - slow)		176-191
		Gobo wheel rotation (fast - slow)		192-223
		Gobo wheel rotation (fast - slow)		224-255
16	21	Gobo positioning/rotation 2 Gobo positioning 0° - 540° Gobo rotation, right (rapid - slow) Stop gobo rotation Gobo rotation, left (slow - rapid)		000-191 192-222 223-224 225-255
	22	Gobo positioning/rotation 2 fine (16 Bit)		000-255
17	23	Aperture 1a 0-100%		000-255
	24	Aperture 1a fine (16 Bit)		000-255
18	25	Aperture 1b 0-100%		000-255
	26	Aperture 1b fine (16 Bit)		000-255
19	27	Aperture 2a 0-100%		000-255
	28	Aperture 2a fine (16 Bit)		000-255
20	29	Aperture 2b 0-100%		000-255
	30	Aperture 2b fine (16 Bit)		000-255
21	31	Aperture 3a 0-100%		000-255
	32	Aperture 3a fine (16 Bit)		000-255
22	33	Aperture 3b 0-100%		000-255
	34	Aperture 3b fine (16 Bit)		000-255
23	35	Aperture 4a 0-100%		000-255
	36	Aperture 4a fine (16 Bit)		000-255

24	37	Aperture 4b 0-100%	000-255
	38	Aperture 4b fine (16 Bit)	000-255
25	39	Aperture rotation -55° / +55°	000-255
	40	Aperture rotation fine (16 Bit)	000-255
26	41	Color wheel White White/Red Red Red/Yellow Yellow Yellow/Magenta Magenta Magenta/Green Green Green/Orange Orange Orange/Dark Blue Dark Blue Dark Blue/ Pink Pink Pink / HCRI (model HP) - CTB (model HC, WW) HCRI (model HP) - CTB (model HC, WW) HCRI (model HP) - CTB (model HC, WW) / White Linear colours: White - Red - Yellow - Magenta - Green - Orange - Dark Blue - Pink - HCRI (model HP) - CTB (model HC, WW) - White Colour cycle, right (rapid - slow) Colour cycle, left (slow - rapid)	000-001 002-003 004-005 006-007 008-009 010-011 012-013 014-015 016-017 018-019 020-021 022-023 024-025 026-027 028-029 030-031 032-033 034-063 064-191 192-223 224-255
27	42	Cyan (8 Bit) 0-100%	000-255
	43	Fine cyan (16 Bit)	000-255
28	44	Magenta (8 Bit) 0-100%	000-255
	45	Fine magenta (16 Bit)	000-255
29	46	Yellow (8 Bit) 0-100%	000-255
	47	Fine yellow (16 Bit)	000-255
30	48	CTO (8 Bit) 0-100% model HP, HC / CTB (8 Bit) 0-100% model WW	000-255
	49	CTO fine (16 Bit) / CTB fine (16 Bit) model WW	000-255
31	50	Sparkle - Glitter effect Sparkle effect inactive Sparkle effect intensity (minimum - maximum)	000-000 001-255
32	51	Sparkle speed Faded sparkle effect (slow -> rapid) Switched sparkle effect (slow -> rapid) Repetition of the fading and switching blocks	000-031 032-063 064-255

33	52	Prism 1 Open Prism 1 (5-fold linear)	000-007 008-255
34	53	Prism 1 positioning/rotation Prism positioning (0° - 540°) Prism rotation, right (rapid -> slow) Stop prism rotation Prism rotation, left (slow -> rapid)	000-191 192-222 223-224 225-255
	54	Prism 1 fine positioning/rotation (16 Bit)	000-255
35	55	Prism 2 Open Prism 2 (3-fold circular)	000-007 008-255
36	56	Prism 2 positioning/rotation Prism positioning (0° - 540°) Prism rotation, right (rapid -> slow) Stop prism rotation Prism rotation, left (slow -> rapid)	000-191 192-222 223-224 225-255
	57	Prism 2 fine positioning/rotation (16 Bit)	000-255
37	58	Frost 1 Frost 0-100%	000-255
38	59	Frost 2 Frost 0-100%	000-255
39	60	Effects macro Macro inactive Macro 001 - Macro 255	000-000 001-255
40	61	Pan/tilt speed Real-time motion Delayed motion (rapid - slow)	000-003 004-255
41	62	Effects speed Real-time effects Delayed effects (rapid - slow)	000-003 004-255
42	63	Blackout Move Not assigned Blackout during pan/tilt Blackout during Gobo, Colour, Prism, CMY, Iris, Frost Blackout during Gobo, Colour, Prism, CMY, Iris, Frost, Zoom, Focus Blackout during Gobo, Colour, Prism, CMY, Iris, Frost, Pan/Tilt Blackout during Gobo, Colour, Prism, CMY, Iris, Frost, Zoom, Focus, Pan/Tilt	000-095 096-127 128-159 160-191 192-223 224-255

6.1.3 Operating modes P12 Spot

The P12 Spot has 2 different DMX modes. The respective mode can be set in the PERSONALITY, DMX MODE menu item. The set mode is displayed in the main menu.

	Mode 1(M1)	Mode 2 (M2)
Channel 1	Pan	Pan
Channel 2	Pan fine	Pan fine
Channel 3	Tilt	Tilt
Channel 4	Tilt fine	Tilt fine
Channel 5	Control channel	Control channel
Channel 6	Shutter	Shutter
Channel 7	Dimmer	Dimmer
Channel 8	Focus	Fine dimmer
Channel 9	Zoom	Focus
Channel 10	Autofocus distance	Fine focus
Channel 11	Autofocus balancing	Zoom
Channel 12	Iris	Fine zoom
Channel 13	Gobo 1	Autofocus distance
Channel 14	Gobo 1 rotation	Autofocus balancing
Channel 15	Gobo 2	Iris
Channel 16	Gobo 2 rotation	Fine iris
Channel 17	Animation wheel	Gobo 1
Channel 18	Animation wheel rotation	Gobo 1 rotation
Channel 19	Colour wheel	Gobo 1 fine rotation
Channel 20	Cyan	Gobo 2
Channel 21	Magenta	Gobo 2 rotation
Channel 22	Yellow	Gobo 2 fine rotation
Channel 23	CTO	Animation wheel
Channel 24	Sparkle	Animation wheel rotation
Channel 25	Sparkle speed	Colour wheel
Channel 26	Prism 1	Cyan
Channel 27	Prism 1 rotation	Fine cyan
Channel 28	Prism 2	Magenta
Channel 29	Prism 2 rotation	Fine magenta
Channel 30	Frost 1	Yellow
Channel 31	Frost 2	Fine yellow
Channel 32	Effects macro	CTO
Channel 33	Pan/tilt speed	CTO fine
Channel 34	Effect speed	Sparkle
Channel 35	Blackout Move	Sparkle speed
Channel 36		Prism 1
Channel 37		Prism 1 rotation
Channel 38		Prism 1 fine rotation
Channel 39		Prism 2
Channel 40		Prism 2 rotation
Channel 41		Prism 2 fine rotation
Channel 42		Frost 1
Channel 43		Frost 2
Channel 44		Effects macro
Channel 45		Pan/tilt speed
Channel 46		Effect speed
Channel 47		Blackout Move






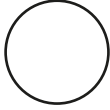
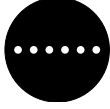



6.1.4 DMX channel functions P12 Spot

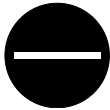

M1	M2	M3	Function	DMX
1	1		Pan (X) movement 546,74°	000-255
2	2		Pan (X) fine (16 Bit)	000-255
3	3		Tilt (Y) movement 281,16°	000-255
4	4		Tilt (Y) fine (16 Bit)	000-255
5	5		<p>Control channel To enable uniform dimming manually via faders for all light mixing consoles, 5 different settings for the DMX smoothing are available. If the DMX signal is interrupted or too few packets are sent on some DMX consoles, the response of the Sparx 18/30 can be adjusted with this channel. The Minimum DMX Smoothing setting should work on most popular consoles. The values for DMX smoothing must be permanent. For the other values, such as cooling mode, color temperature, zoom modes, camera mode, reset, the values must be applied for 2 seconds, then the device will be permanently switched (Same setting as in the PERSONALITY menu).</p> <p>Setting for minimal DMX smoothing (A dimmed shutter sequence is possible) Dimmer fade out via fader (fast - slow) not used</p> <p>Setting for minimum / medium DMX smoothing Dimmer fade out via fader (fast - slow) not used</p> <p>Setting for medium DMX smoothing Dimmer fade out via fader (fast - slow) not used</p> <p>Setting for medium / maximum DMX smoothing Dimmer fade out via fader (fast - slow)</p> <p>BACKLIGHT MODE - Display backlight configuration AUTO - the fixture controls the backlight automatically ON - the backlight is always on OFF - the backlight is always off until a key is pressed</p> <p>DISPLAY ORIENTATION - display flip or not STANDARD - the display can be read when the headlamp is on a surface FLIP - the display orientation is rotated by 180 °, hanging readable not used</p> <p>MAIN SCREEN MODE - view of the main screen STANDARD - the main screen displays the DMX address, the DMX mode, and when wireless is enabled, the field strength. USER FIXTURE ID - the main screen displays the user definable fixture ID / head-light number not used</p> <p>USER FIXTURE ID SET - Scheinwerfernummer setzen SET - the USER ID can be set. The headlamp takes the 16-bit value of Pan for the USER ID not used</p>	<p>000-007 008-031</p> <p>032-039 040-063</p> <p>064-071 072-095</p> <p>096-103</p> <p>104-104 105-105 106-106</p> <p>107-107 108-108 109-109</p> <p>110-110 111-111 112-112</p> <p>113-113 114-127</p>

	<p>Setting for maximum DMX smoothing Dimmer fade out via fader (fast - slow)</p>	128-135
	<p>DIMMER CURVE - selection of dimmer curve LINEAR - linear dimmer curve SQUARE - exponential dimmer curve SQUARE INVERSE - exponential inverse dimmer curve not used</p>	136-136 137-137 138-138 139-139
	<p>RGB/CMY CURVE - selection of RGB/CMY curve SQUARE INVERSE OLD - Exponential inverse old RGB/CMY curve LINEAR - linear RGB/CMY curve SQUARE INVERSE - Exponential inverse RGB/CMY curve</p>	140-140 141-141 142-142
	<p>FROST CURVE - selection of frost curve LINEAR - linear frost curve SQUARE INVERSE - Exponential inverse frost curve not used</p>	143-143 144-144 145-145
	<p>PAN/TILT SPEED - selection of PAN/TILT speed WHISPER SILENT MEDIUM FAST</p>	146-146 147-147 148-148 149-149
	<p>EFFECT SPEED - selection of effect speed WHISPER SILENT MEDIUM FAST</p>	150-150 151-151 152-152 153-153
	<p>LED FADE OUT MODE - selection of dimming out STANDARD SOFT not used</p>	154-154 155-155 156-159
	<p>COOLING MODE - Adjust the fan volume and brightness This takes place with dimmer / shutter set to closed (DMX 000) then after 2 seconds the fixture will switch this option, except the switch "SAFE MODE SWITCH" in the PERSONALITY menu is set to OFF, then the changeover can take place directly without dimmer and shutter having to be closed. THEATRE WHISPER THEATRE SILENT STANDARD BOOST LONGLIFE not used</p>	160-160 161-161 162-162 163-163 164-164 165-207
	<p>CAMERA MODE - Setting the LED refresh rate 50Hz 60Hz FLEX - 600Hz High FLEX - 3kHz not used</p>	208-215 216-223 224-227 228-231 232-239
	<p>RESET - a basic reset of the fixture is carried out Reset nicht belegt</p>	240-247 248-255

6	6	<p>Shutter Shutter closed Shutter open Open pulsing shutter >20Hz (rapid - slow) Shutter open Fade effect with dimmer (slow - rapid) Shutter open Shutter closed Open pulsing shutter <20Hz (rapid - slow) Shutter open Close pulsing shutter >20Hz (rapid - slow) Shutter closed Shutter fade, 0% (rapid - slow) Shutter open Shutter fade, 100% (rapid - slow) Shutter closed Random shutter 100% (rapid - slow) Shutter open Random shutter 0% (rapid - slow) Shutter closed Random shutter fade, 0% (rapid- slow) Shutter open Random shutter fade, 100% (rapid- slow) Shutter open</p>	<p>000-015 016-095 096-110 111-111 112-125 126-126 127-126 128-142 143-143 144-158 159-159 160-174 175-175 176-190 191-191 192-206 207-207 208-222 223-223 224-238 239-239 240-254 255-255</p>
7	7	Dimmer 0 - 100%	000-255
	8	Dimmer fine (16Bit)	000
8	9	Focus 0-100%	000-255
	10	Focus fine (16 Bit)	000-255
9	11	Zoom 0 -100% (near 5.7° - far 60°)	000-255
	12	Zoom fine (16 Bit)	000-255
10	13	<p>Auto focus distance Auto focus off Auto focus 0 m - 25,5 m (0 =off, DMX / 10 = distance)</p>	<p>000-001 002-255</p>
11	14	<p>Auto focus adjust (no function, not needed) Auto focus adjust - DMX 128 center</p>	000-255
12	15	Iris 0-100% (open -> closed)	000-255
	16	Iris fine (16Bit)	000-255
13	17	<p>Gobo wheel 1 Gobo 0</p> <p>Gobo 1</p>	<p>000-007</p> <p>008-015</p>



13	17	Gobo 4		016-023
		Gobo 3		024-031
		Gobo 4		032-039
		Gobo 5		040-047
		Gobo 6		048-127
		Gobo 0 (open)		128-135
		Gobo 1 shake (fast - slow)		136-143
		Gobo 2 shake (fast - slow)		144-151
		Gobo 3 shake (fast - slow)		152-159
		Gobo 4 shake (fast - slow)		160-167
Gobo 5 shake (fast - slow)		168-175		
Gobo 6 shake (fast - slow)		176-191		
Gobo wheel rotation (fast - slow)		192-223		
Gobo wheel rotation (fast - slow)		224-255		
14	18	Gobo positioning/rotation 1		
		Gobo positioning 0° - 540°		000-191
		Gobo rotation, right (rapid - slow)		192-222
		Stop gobo rotation		223-224
		Gobo rotation, left (slow - rapid)		225-255
	19	Gobo positioning/rotation 1 fine (16 Bit)		000-255
15	20	Gobo wheel 2 - rotating gobos		
		Gobo 0		000-007
		Gobo 1		008-015
		Gobo 2		016-023
		Gobo 3		024-031
		Gobo 4		032-039

		Gobo 5		040-047
		Gobo 6		048-127
		Gobo 0 (open)		128-135
		Gobo 1 shake (fast - slow)		136-143
		Gobo 2 shake (fast - slow)		144-151
		Gobo 3 shake (fast - slow)		152-159
		Gobo 4 shake (fast - slow)		160-167
		Gobo 5 shake (fast - slow)		168-175
		Gobo 6 shake (fast - slow)		176-191
		Gobo wheel rotation (fast - slow)		192-223
		Gobo wheel rotation (fast - slow)		224-255
16	21	Gobo positioning/rotation 2 Gobo positioning 0° - 540° Gobo rotation, right (rapid - slow) Stop gobo rotation Gobo rotation, left (slow - rapid)		000-191 192-222 223-224 225-255
	22	Gobo positioning/rotation 2 fine (16 Bit)		000-255
17	23	Animation wheel Animations wheel open Animations wheel horizontal "water" Animations wheel vertical "fire"		000-255 000-007 008-015 016-255
18	24	Animation wheel rotation Not assigned Animation wheel rotation right (fast to slow) Animation wheel rotation stopp Animation wheel rotation left (slow to fast)		000-255 000-191 192-222 223-224 225-255
19	25	Color wheel White White/Red Red Red/Yellow Yellow Yellow/Magenta Magenta Magenta/Green Green Green/Orange Orange Orange/Dark Blue Dark Blue Dark Blue/ Pink Pink Pink / HCRI (model HP) - CTB (model HC, WW) HCRI (model HP) - CTB (model HC, WW) HCRI (model HP) - CTB (model HC, WW) / White		000-001 002-003 004-005 006-007 008-009 010-011 012-013 014-015 016-017 018-019 020-021 022-023 024-025 026-027 028-029 030-031 032-033 034-063

		Linear colours: White - Red - Yellow - Magenta - Green - Orange - Dark Blue - Pink - HCRI (model HP) - CTB (model HC, WW) - White Colour cycle, right (rapid - slow) Colour cycle, left (slow - rapid)	064-191 192-223 224-255
20	26	Cyan (8 Bit) 0-100%	000-255
	27	Fine cyan (16 Bit)	000-255
21	28	Magenta (8 Bit) 0-100%	000-255
	29	Fine magenta (16 Bit)	000-255
22	30	Yellow (8 Bit) 0-100%	000-255
	31	Fine yellow (16 Bit)	000-255
23	32	CTO (8 Bit) 0-100% model HP, HC / CTB (8 Bit) 0-100% model WW	000-255
	33	CTO fine (16 Bit) / CTB fine (16 Bit) model WW	000-255
24	34	Sparkle - Glitter effect Sparkle effect inactive Sparkle effect intensity (minimum - maximum)	000-000 001-255
25	35	Sparkle speed Faded sparkle effect (slow -> rapid) Switched sparkle effect (slow -> rapid) Repetition of the fading and switching blocks	000-031 032-063 064-255
26	36	Prism 1 Open Prism 1 (5-fold linear)	000-007 008-255
27	37	Prism 1 positioning/rotation Prism positioning (0° - 540°) Prism rotation, right (rapid -> slow) Stop prism rotation Prism rotation, left (slow -> rapid)	000-191 192-222 223-224 225-255
	38	Prism 1 fine positioning/rotation (16 Bit)	000-255
28	39	Prism 2 Open Prism 2 (3-fold circular)	000-007 008-255
29	40	Prism 2 positioning/rotation Prism positioning (0° - 540°) Prism rotation, right (rapid -> slow) Stop prism rotation Prism rotation, left (slow -> rapid)	000-191 192-222 223-224 225-255
	41	Prism 2 fine positioning/rotation (16 Bit)	000-255
30	42	Frost 1 Frost 0-100%	000-255

31	43	Frost 2 Frost 0-100%	000-255
32	44	Effects macro Macro inactive Macro 001 - Macro 255	000-000 001-255
33	45	Pan/tilt speed Real-time motion Delayed motion (rapid - slow)	000-003 004-255
34	46	Effects speed Real-time effects Delayed effects (rapid - slow)	000-003 004-255
35	47	Blackout Move Not assigned Blackout during pan/tilt Blackout during Gobo, Colour, Prism, CMY, Iris, Frost Blackout during Gobo, Colour, Prism, CMY, Iris, Frost, Zoom, Focus Blackout during Gobo, Colour, Prism, CMY, Iris, Frost, Pan/Tilt Blackout during Gobo, Colour, Prism, CMY, Iris, Frost, Zoom, Focus, Pan/Tilt	000-095 096-127 128-159 160-191 192-223 224-255

6.1.5 Control channel

Via the control channel different functions of the fixture can be switched. The following functions can be switched via the control channel.

Response of the headlamp when dimming via faders

BACKLIGHT MODE - display backlight

DISPLAY ORIENTATION - display orientation

MAIN SCREEN MODE - main screen view

USER FIXTURE ID SET - set headlight number

DIMMER CURVE - dimmer curve adjustment

FROST CURVE - setting the frost curve

PAN / TILT SPEED - pan / tilt speed

EFFECT SPEED - effect speed

LED FADE OUT MODE - type of dimming

COOLING MODE - adjust the fan volume and brightness

CAMERA MODE - sets the LED refresh rate

RESET - a basic reset of the headlight is performed

For details, see DMX Channel Functions for the P12 Profile on page 23 and for the P12 Spot on page 31.

6.1.6 Sparkle effect, sparkle speed

Animation effects can be created via this channel in connection with the focus. Depending on the intensity, the projection can be made to shake more or less. This effect can be dimmed or switched.

6.1.7 Auto focus

To activate the autofocus function, set the autofocus distance channel to around 50%. Then best use gobo wheel 2 for fine adjustment of the system and set the focus accordingly to 125 (32000): Then set the distance to the headlight by focusing the headlight using the autofocus distance. As a guideline, DMX value divided by 10 corresponds to the distance (DMX 100/10 distance = 10m). Now the headlight can be operated with autofocus via the zoom. Using the following table, the focus values for the individual effects can now be preselected and zoomed in with autofocus.

	Gobo1	Gobo2	Animation (Spot)	Open	Shapers (Profile)	Iris
Focus 8Bit	95	125	145	185	195	215
Focus 16Bit	24320	32000	37120	47360	49920	55040

6.2 Artnet

The spotlight can be controlled via Artnet - ArtNET 4. To do this, set the Artnet address via the menu item DMX / NET ADDR -> ARTNET ADDRESS and also select it via the menu item PERSONALITY -> DMX INPUT CONFIG -> NETWORK -> MODE -> ARTNET. In addition, define the IP address of the spotlight via PERSONALITY -> DMX INPUT CONFIG -> NETWORK -> IP ADDRESS. Further details and setting options can be found on page 16

6.3 Streaming ACN

The headlight can be controlled via sACN - Streaming ACN. To do this, set the sACN address via the menu item DMX / NET ADDR -> SACN ADDRESS and also select it via the menu item PERSONALITY -> DMX INPUT CONFIG -> NETWORK -> MODE -> SACN. In addition, define the IP address of the spotlight via PERSONALITY -> DMX INPUT CONFIG -> NETWORK -> IP ADDRESS. Further details and setting options can be found on page 16

6.4 Wireless-DMX

The P12 is equipped with a Lumen Radio CRMX receiver for wireless DMX. The receiver can process both DMX and RDM. If there is a cable and wireless connection to the P12, the cable connection has priority! The received signal can be output via the DMX connection. To do this, set the DMX OUTPUT CONFIG setting to ON in the PERSONALITY menu. After confirming with ENTER, the spotlight will output the entire universe received via wireless DMX.

6.5 RDM

The P12 can communicate via RDM (Remote Device Management) in accordance with ESTA American National Standard E1.20-2006. RDM is a bidirectional communication protocol for use in DMX512 control systems. It is the open standard for the configuration and status monitoring of DMX-512 devices. The RDM protocol enables data packets to be inserted into a DMX-512 data stream without affecting existing non-RDM devices. It enables a console or dedicated RDM controller to send commands to specific devices and receive messages. The P18 can send and receive RDM via DMX and Artnet 4. The spotlight is also designed to send RDM via sACN and receive it via Artnet. The RDM functionality depends on the lighting control desk used, the operating instructions of the respective desk manufacturer must also be observed.

6.5.1 RDM-UID

Every P12 has a factory-set RDM-UID (unique identification number), which makes it addressable and identifiable in RDM systems.

6.5.2 RDM-PIDs

The P12 supports the RDM PIDs (parameter IDs) required by ESTA as well as manufacturer-specific PIDs.

6.5.3 Standard RDM parameter IDs

RDM parameter ID	GET	SET	DISCO- VERY	Note
RDM identification				
DISC_UNIQUE_BRANCH			✓	is used for fixture identification
DISC_MUTE			✓	is used for fixture identification
DISC_UN_MUTE			✓	is used for fixture identification
RDM status determination				
QUEUED_MESSAGE	✓			
STATUS_MESSAGES	✓			
STATUS_ID_DESCRIPTION	✓			
CLEAR_STATUS_ID		✓		
RDM information				
SUPPORTED_PARAMETERS	✓			
RDM configuration				
DEVICE_MODEL_DESCRIPTION	✓			
MANUFACTURER_LABEL	✓			
FACTORY_DEFAULTS		✓		
SOFTWARE_VERSION_LABEL	✓			
DMX_PERSONALITY		✓		
DMX_PERSONALITY_DESCRIPTION	✓			
DMX_START_ADDRESS		✓		
SENSOR_DEFINITION	✓			
DEVICE_HOURS	✓			
LAMP_HOURS	✓			
IDENTIFY_DEVICE		✓		
RESET_DEVICE		✓		
PERFORM_SELFTEST		✓		
SELFTEST_DESCRIPTION	✓			

6.5.4 Manufacturer specific RDM parameter IDs

RDM parameter ID	GET	SET	DISCO- VERY	Note
RDM configuration				
Battery Charge Hours	✓			
Error Number	✓			
Error	✓			
Select Next Error		✓		
Remove Error		✓		
Remove New Error Flag		✓		
User Defaults		✓		
User Fixture ID		✓		
Fixture Lock On/Off	✓	✓		
Dimmer Curve	✓	✓		
RGB Curve	✓	✓		
Frost Curve	✓	✓		
Camera Mode	✓	✓		
Cooling Mode	✓	✓		

Pan Tilt Speed	✓	✓		
Effect Speed	✓	✓		
Backlight Mode	✓	✓		
Disp Orientation	✓	✓		
Main Screen Mode	✓	✓		
Safe Mode Switch	✓	✓		
LED Fade Out Mode	✓	✓		

6.5.5 RDM sensor IDs

RDM sensor ID	GET	SET	DISCO- VERY	Note
RDM sensors				
Temp Sens Base LCD	✓	✓		
Temp Sens Base PS	✓	✓		
Temp Sens Head PCB	✓	✓		
Temp Sens Head Drv	✓	✓		
Temp Sens Head LED	✓	✓		
Temp Sens Head Air	✓	✓		

7. Service

7.1 Service menu

RESET FIXTURE

Upon the “Reset” command, P12 will initialise to its initial values. It is the same procedure as after switching on the P12. If an error message appears in the display, this could be the first step to correct it.

ERROR LIST

The P12 stores all occurring errors internally. An error message can have a harmless cause. If you experience frequent error messages, please contact your dealer or the JB-Lighting service department. All error messages are displayed with the respective frequency and can be deleted.

FUNCTION TEST

This function allows you to test all functions of the P12 without using a light mixer. The pan/tilt reset is deactivated in the process.

DMX TEST

This menu item is used to test the DMX input. Use the function keys to select the DMX channel to be tested. The display shows the incoming value, at the same time the P12 reacts accordingly.

INIT PAN TILT

The P12 is calibrated in the pan/tilt position at the factory. If it loses this calibration, i.e. it strikes against the stop or no longer finds its position, it can be re-initialised using this function. This process takes about 3-4 minutes and ends with a reset of the spotlight.

DISPLAY CONTRAST

The contrast of the LCD display may change when the temperature is too high. In this menu item the contrast can be adjusted.

FINE ADJUST

The FINE ADJUST area is protected by a key combination. Focus, shapers, shaper rotation, pan and tilt are calibrated at the factory. If there are large deviations in the calibration between the individual headlights, this can be corrected in the FINE ADJUST menu. For more information please contact our service.

IDENTIFY DEVICE

The RDM command IDENTIFY DEVICE can be called up or deactivated via this menu item.

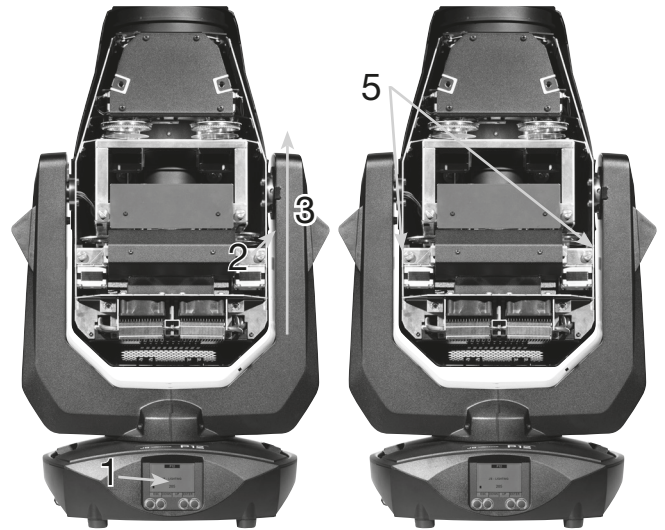
7.2 Changing gobos



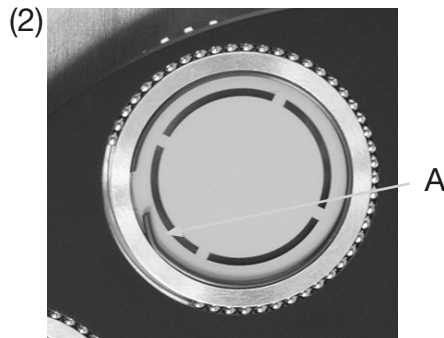
WARNING: Disconnect fixture before opening!

To open the device (from the right side) place the spotlight on a firm base as shown in the picture, the display (1) facing you, the tilt lock (2) is on the right side and the spotlight head facing away from you (3) (Or look through the grille into the spotlight from behind and look at the arrow showing the cover to be opened).

To lift off the cover, open the four camlocks by half a turn, lift off the cover and unhook the safety lanyard. Now open the two knurled screws (5) and remove the gobo insert. The following figure (1) shows the gobo insert of the P12.



To change the rotating gobos remove only the clamping ring (A) with a pointed object replace the gobo and then put the clamping ring again. When installing glass gobos, make sure the white coated side faces the front lens. Gobos that are not allowed to twist, e.g. Logos are additionally recommended to be secured against twisting with a drop of silicone adhesive.

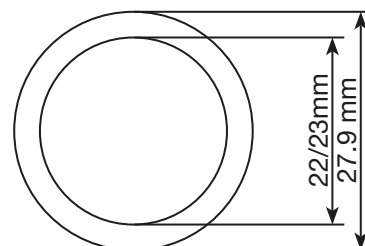


When inserting original gobos, pay attention to the markings on the gobo, the gobo holder and the gobo wheel!

7.3 Gobo size

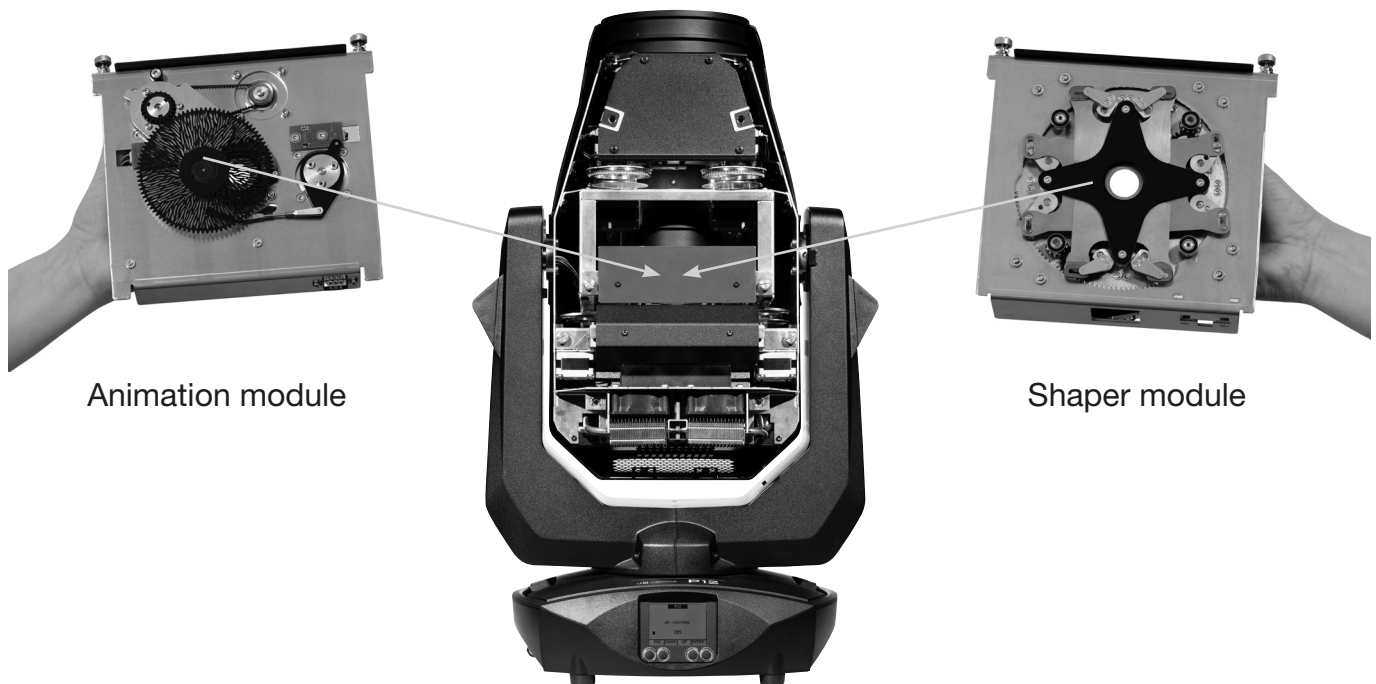
If you want to have your own gobos produced, please note the following dimensions:

- Usable diameter, rotating gobowheel 1: 22.00 mm
- Usable diameter, rotating gobowheel 2: 23.00mm
- Outer diameter: 27.90 mm (+0/-0.1 mm)
- Maximum thickness: 1.1 mm



7.4 Shaper module / animation module

The P12 is designed so that it is easily possible to convert a spot into a profile and vice versa. Simply replace the animation or shaper module, the headlight automatically detects which module is installed and changes its channel assignment accordingly. Simply open the 4 quarter-turn fasteners in the lid, remove the built-in module and insert the other module. Close the lid again, switch on the device, now the P12 automatically recognizes which module it has installed and shows this in the display.



7.5 Software update

The P12 can be updated via a USB stick with micro-USB connection. To do this, copy the file directly into the root directory of the USB stick. Then press and hold the right key below the display, switch on the power of the P12 as soon as the message "Insert USB stick" appears on the display release the key. Now plug in the USB stick on the back of the device below the signal connections and follow the instructions on the display. The P12 completes the software update with a reset. You will find the latest software on our homepage.

7.6 Testing of electrical equipment

According to the German Social Accident Insurance (DGUV) Regulation 3 / Regulation 4, electrical systems and equipment must be subjected to regular inspections. The fixing screw of the DMX 5-pin socket can be used as measuring point for insulation and residual current measurement. The screw is connected to all sheet metal parts via a contact washer.



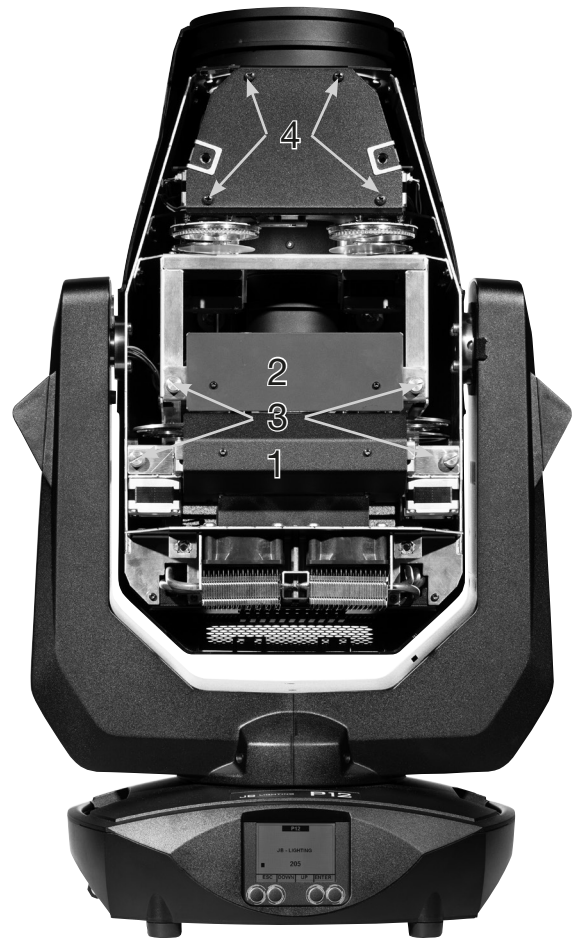
7.7 Cleaning the device



WARNING: Disconnect fixture before opening!

You should check the function of the fans in the head and foot at regular intervals. Above all, make sure that the air intakes and the interior of the P12 are free of fluff and dust.

To do this, open the head cover (4x camlocks with half a turn) and the base plate on the foot. You can clean the P12 with a brush and a vacuum cleaner. In addition, you can remove the gobo insert (1) and the shutter slide insert (2) by loosening the knurled screws (3) and sliding the focus carriage towards the lens. Then you can clean the colour filters, glass gobos and CMY panes with a soft cloth and a little window cleaner. To clean the frost flaps, prisms and zoom/focus unit, remove the four Phillips screws (4) and then the cover. Ensure that you do not bend or damage any parts during cleaning. When cleaning is complete, reconnect the flap, replace the Phillips screws (4) and return the inserts to the unit.



7.8 Service and maintenance

On the P12, the zoom / focus guide rails and the rotating gobos should be checked for sufficient lubrication at regular intervals - once a year. To do this, open the head cover (4x camlocks with half a turn), the zoom cover (3 Phillips screws) see (4) and remove the gobo insert (2 knurled screws).

Please note that the rotating gobos and the guide rails do not run dry; if necessary, the rotating gobos must be oiled with a special syringe and the guide rails with a brush with our special silicone oil.

After the gobos and the rails have been checked or oiled, reinsert the slot and close the zoom cover again. After completing the work, replace the head cover on the headlight and test all the functions of the headlight.

8. Specifications

Dimensions and weight

Length	264 mm
Width	421 mm
Height	682 mm
Net weight	23 kg

Electronic system

Mains connection	100-240 V AC, 50-60Hz
Maximum power consumption	800 VA
Power consumption in standby	100 VA

Temperature

Maximum ambient temperature	45 °C
Minimum ambient temperature	5 °C

Optics, Photometric Data

Light source	White light LED module 640W
Luminous intensity HP	25000 Lumen @ 20°C
Luminous intensity HC	19000 Lumen @ 20°C
Luminous intensity WW	17000 Lumen @ 20°C

Effects

Pan	546.74°
Tilt	281.16°
Zoom	5.7° - 60°

Construction

Colour	black
Housing	PC ABS
Protection class	IP 20
Plug-in technology	yes

Installation

Installation site	indoors
Holder	2x Omega brackets
Position	any
Minimum fixture distance to flammable objects	0.5 m
Minimum distance between the light emission and the surface to be illuminated	2,0 m

Connections

Power input	Neutrik powerCON TRUE1
Power feed-through	Neutrik powerCON TRUE1
DMX/RDM in/out USITT DMX512	5-pin, in/out XLR
Ethernet in/out	Neutrik etherCON
Micro-USB	Software update

9. Declaration of Conformity



Declaration of Conformity

in the sense of the Directive: 2014/35/EU Low Voltage Directive,
(Directive 2014/35/EU of the European Parliament and of the Council of 26/02/2014 to approximate
the laws of the Member States relating to electrical equipment designed
for use within certain voltage limits)

in the sense of the Directive: 2014/30/EU Electromagnetic compatibility
(Directive 2014/30/EU of the European Parliament and of the Council of 26/02/2014 to approximate the
laws of the Member States relating to electromagnetic compatibility)

The manufacturer, **JB-Lighting Lichtenlagentechnik GmbH**
Sallersteigweg 15
89134 Blaustein-Wippingen

declares that the product: **P12**

complies with the essential protection requirements of the directives. The following standards were used for conformity assessment:

Emissions requirements per EN 55032:2015

Conducted interference emission
EN 55032:2015

Radiation
EN 55032:2015

Harmonic currents
EN 61000-3-2:2015

Flicker
EN 61000-3-3:2013

Immunity - requirements per EN 61000-6-2:2005

EN 61000-4-2:2009
EN 61000-4-3:2006 +A1:2008 +A2:2010
EN 61000-4-4:2012

EN 61000-4-5:2006
EN 61000-4-6:2014

EN 61000-4-8:2010

EN 61000-4-11:2004

Information technology equipment, radio interference characteristics - Limit values and measuring methods - Limit value class A

requirements for information technology equipment, radio interference
characteristics -

Limit values and measuring methods - Limit value class A
Information technology equipment, radio interference characteristics -
Limit values and measuring methods - Limit value class A
Electromagnetic compatibility

Part 3-2: Limits, testing of harmonic currents
(for devices with an input current < 16A per phase)
Electromagnetic compatibility (EMC)

Part 3-3: Limits, limitation of voltage changes,
Voltage fluctuations and flicker in low-voltage networks
(for devices with an input current < 16A per phase)

Electromagnetic compatibility (EMC) - Part 6-2: Generic standard - Immunity in industrial areas

Part 4-2: Immunity to static electricity discharge
Part 4-3: Immunity to high-frequency electromagnetic fields
Part 4-4: Immunity against fast transient electrical
disturbances (burst)

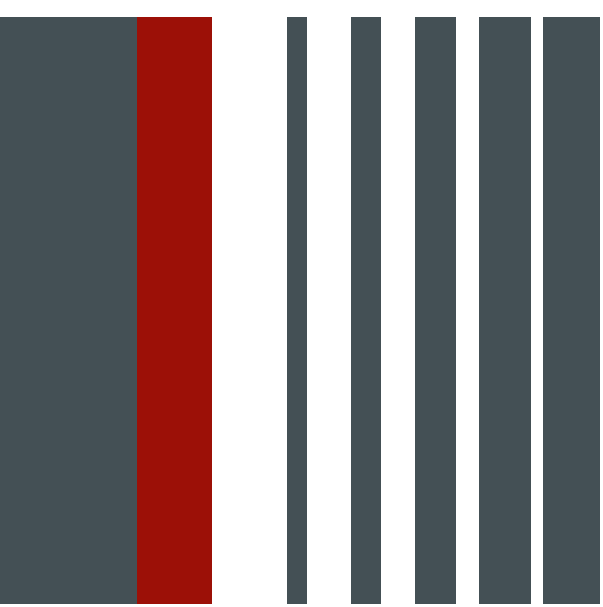
Part 4-5: Interference voltages against surge voltages
Part 4-6: Immunity to conducted disturbances,
induced by HF

Part 4-8: Immunity to magnetic fields with power technology
frequencies

Part 4-11: Immunity against voltage dips, short-term
interruptions and voltage fluctuations

Blaustein, 01/07/2019

Jürgen Braungardt
CEO



JB-Lighting Lichtanlagentechnik GmbH
Sallersteig 15
89134 Blaustein
Tel. +49 7304 9617-0
Fax. +49 7304 9617-99
info@jb-lighting.de
www.jb-lighting.de

JB LIGHTING