

# SolaWash LED

## Technical Data Sheet

### Features

Modular Construction

Fast Service Design

On Board Graphics/Lenses

RGBW Engine

Fan Modes - Low, High, Auto

- db(A) at 1m (idle)- 36
- db(A) at 1m (100% intensity)- 43

Electronic Cooling System Control

Active Thermal Control

Control Options- DMX 512/RDM

Standard and Reduced Protocols-

- Four Channel options
- Max Fixtures Per Universe - 24

Pan- 540°

Tilt- 265°

**19 LED**

Max Speed Pan- 360° (seconds)- 1.91

Max Speed Tilt- 252° (seconds)- 1.24

**37 LED**

Max Speed Pan- 360° (seconds)- 2.13

Max Speed Tilt- 252° (seconds)- 1.42

Pan and Tilt Locks- (SolaWash 37 LED Only)

LED Hours- 70% Luminous output, 50,000 hrs.

Full Color LCD Display W/ Battery Mode

3-Pin, 5-Pin Male and Female XLR Connectors

Powercon Connector

Road Case Included- Single or Dual at your request

### SolaWash 19 LED

### Optical

### SolaWash 37 LED

LED Type- 19 x 15 Osram RGBW

Lumens\* - 9000

Center Lux\*\* - 939

Zoom (Wash Mode)- 12°- 65°

Indigo Highlighter LED's- 16x

Linear CTO- Virtual on White

LED Type- 37 x 15 Osram RGBW

Lumens\* - 18,000

Center Lux\*\* - 2448

Zoom (Wash Mode)- 12°- 65°

Indigo Highlighter LED's- 36x

Linear CTO- Virtual on White



\*Calculated by three points. (center, middle and edge)

\*\*10m distance, Narrow Zoom

## SolaWash 19 LED

### Electrical

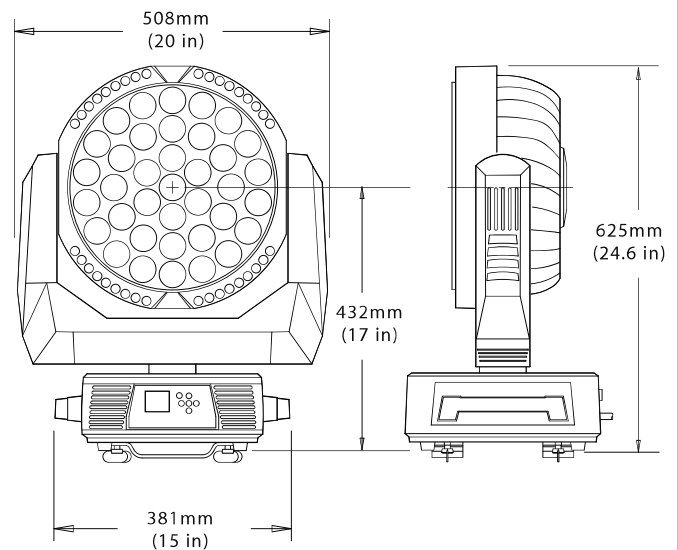
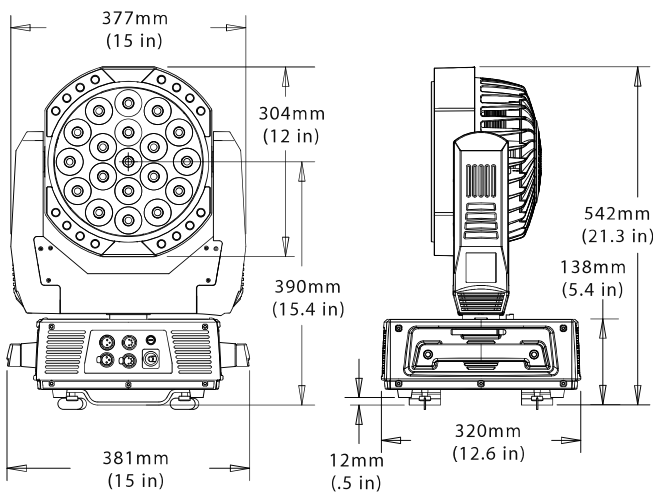
## SolaWash 37 LED

Fixture Rated Power- 380W  
 Input Power Rating- AC 100V - 240V 50/60 Hz  
 3.8-1.6 Amps  
 Auto Switching Power Supply

Fixture Rated Power- 680W  
 Input Power Rating- AC 100V - 240V 50/60 Hz  
 6.8-2.8  
 Auto Switching Power Supply

### Dimensions / Physical

#### Fixture Dimensions



Fixture Weight	17 Kg (38 Lbs.)
Dual Road Case Weight (Empty)	45 Kg (99 Lbs.)
Road Case Gross / Shipping Weight	79.5 Kg (175 Lbs.)
Road Case Dimensions (L x W x H)	889 x 584 x 787 mm 35 x 23 x 31 in.
Min Distance to Flammable Objects	0.5m (1.64 ft.)
Min Distance to Lighted Objects	0.5m (1.64 ft.)
Operating Temperature	0 - 45° C (32 - 113° F)
Storage Temperature	-20 - 60° C (0 - 140° F)
Compliance Approvals	CE, ETL

Fixture Weight	25 Kg (55 Lbs.)
Dual Road Case Weight (Empty)	49.5 Kg (109 Lbs.)
Road Case Gross / Shipping Weight	99.5 Kg (219 Lbs.)
Road Case Dimensions (L x W x H)	864 x 610 x 889 mm 34 x 24 x 35 in.
Min Distance to Flammable Objects	0.5m (1.64 ft.)
Min Distance to Lighted Objects	0.5m (1.64 ft.)
Operating Temperature	0 - 45° C (32 - 113° F)
Storage Temperature	-20 - 60° C (0 - 140° F)
Compliance Approvals	CE, ETL

#### Mounting Options-

The fixtureS can be truss mounted using 1/4 camlock C-clamp mounting brackets. It can also stand upright on a stable surface.

Available Colors- Black  
 HES PN- H7010006 SolaWash 19 LED



Available Colors- Black  
 HES PN- H7010007 SolaWash 37 LED