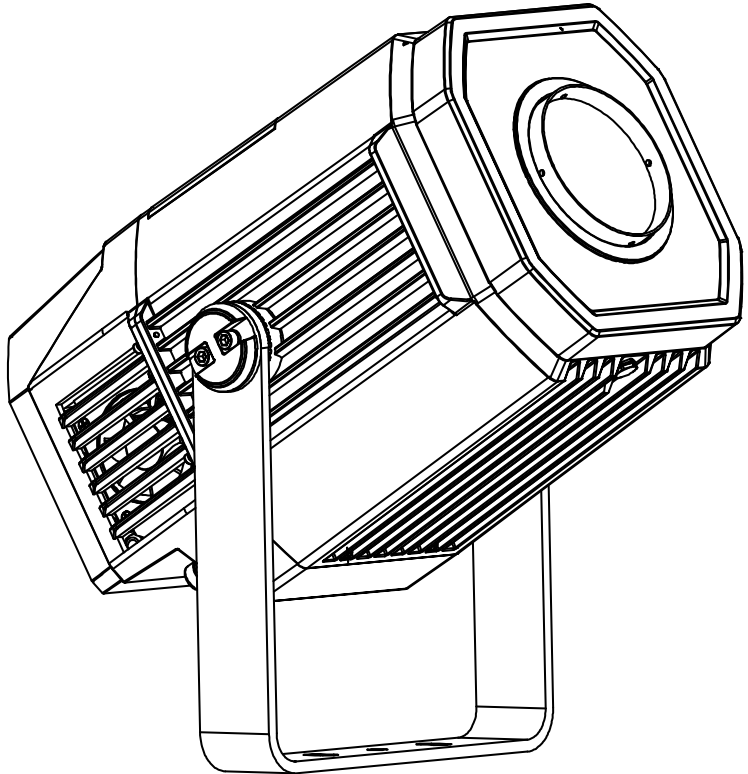


MOSAICO

OUTDOOR LED PROJECTOR



USER MANUAL
MANUALE UTENTE

All rights reserved by Music & Lights S.r.l. No part of this instruction manual may be reproduced in any form or by any means for any commercial use.

In order to improve the quality of products, Music&Lights S.r.l. reserves the right to modify the characteristics stated in this instruction manual at any time and without prior notice.
All revisions and updates are available in the 'manuals' section on site www.musiclights.it

TABLE OF CONTENTS Safety

General instructions	2
Warnings and installation precautions	2

1 Introduction

1.1 Description	3
1.2 Technical specifications	3
1.3 Operating elements and connections	5

2 Installation

2.1 Mounting	6
2.2 Mounting with optional bracket	7

3 Functions and settings

3.1 Operation	8
3.2 Basic	8
3.3 Menu structure	9
3.4 Connect	12
3.5 DMX Address	12
3.6 DMX Mode	12
3.7 Wireless	12
3.8 DMX addressing	12
3.9 Fixture settings	14
3.10 Auto test	14
3.11 Manual test	14
3.12 Advanced	15
3.13 Information on the device	15
3.14 Operations in automatic Mode	15
3.15 DMX Control	19
3.16 Color and rotating gobos	23
3.17 Connection of the DMX line	24
3.18 Construction of the DMX termination	24

4 Maintenance

4.1 Maintenance and cleaning the unit	25
4.2 Trouble shooting	25
4.3 Animation wheel replacement	26
4.4 Gobos replacement	27

Packing content

- MOSAICO
- Power adapter cable
- Signal adapter cable (2 pcs)
- User manual




WARNING! Before carrying out any operations with the unit, carefully read this instruction manual and keep it with care for future reference. It contains important information about the installation, usage and maintenance of the unit.



SAFETY

General instruction

- The products referred to in this manual conform to the European Community Directives and are therefore marked with **CE**.
- The unit is supplied with hazardous network voltage (230V~). Leave servicing to skilled personnel only. Never make any modifications on the unit not described in this instruction manual, otherwise you will risk an electric shock.
- Connection must be made to a power supply system fitted with efficient earthing (Class I appliance according to standard EN 60598-1). It is, moreover, recommended to protect the supply lines of the units from indirect contact and/or shorting to earth by using appropriately sized residual current devices.
- The connection to the main network of electric distribution must be carried out by a qualified electrical installer. Check that the main frequency and voltage correspond to those for which the unit is designed as given on the electrical data label.
- This unit is not for home use, only professional applications.
- Never use the fixture under the following conditions:
 - in places subject to vibrations or bumps;
 - in places with a temperature of over 45 °C.
- Make certain that no inflammable liquids, water or metal objects enter the fixture.
- Do not dismantle or modify the fixture.
- All work must always be carried out by qualified technical personnel. Contact the nearest sales point for an inspection or contact the manufacturer directly.
- If the unit is to be put out of operation definitively, take it to a local recycling  plant for a disposal which is not harmful to the environment.

Warnings and installation precautions

- If this device will be operated in any way different to the one described in this manual, it may suffer damage and the guarantee becomes void. Furthermore, any other operation may lead to dangers like short circuit, burns, electric shock, etc.
- Before starting any maintenance work or cleaning the projector, cut off power from the main supply.
- Always additionally secure the projector with the safety rope. When carrying out any work, always comply scrupulously with all the regulations (particularly regarding safety) currently in force in the country in which the fixture's being used.
- Keep any inflammable material at a safe distance from the fixture.
- Shields, lenses or ultraviolet screens shall be changed if they have become damaged to such an extent that their effectiveness is impaired.
- The lamp (LED) shall be changed if it has become damaged or thermally deformed.
- Never look directly at the light beam. Please note that fast changes in lighting, e. g. flashing light, may trigger epileptic seizures in photosensitive persons or persons with epilepsy.
- Do not touch the product's housing when operating because it may be very hot.
- This product was designed and built strictly for the use indicated in this documentation. Any other use, not expressly indicated here, could compromise the good condition/operation of the product and/or be a source of danger.
- We decline any liability deriving from improper use of the product.

- 1 - INTRODUCTION

1.1 DESCRIPTION

MOSAICO is a powerful outdoor LED fixture for the projection of textures, images and logos onto buildings and landscapes. The outstanding 11'388 lumens output allows for replacement of the 1.200 HID fixture with this far more durable and advanced tool. The complete set of onboard effects allow for extreme creative integration in any context and the zoomable optics makes it a truly versatile fixture for both near-field and long-throw installations.

1.2 TECHNICAL SPECIFICATIONS

LIGHT SOURCE

- Source: 250W high-power white LED
- CT: 7.300K
- CRI: 75
- Luminous flux: 11'388lm
- Lux: (10°) 14'028 lux - (45°) 1'253lx @5 m
- Source life expectancy: >20.000 h
- Other: TM-30-15RF/RG: 71/95 - TLCI: (10°) 47,6 - (45°) 49,2

OPTICS

- Zoom: 10° - 45° motorised linear zoom
- Lens diameter: 109mm
- Lens type: high-quality glass lens optics
- Focus: motorised

COLOUR SYSTEM

- Colour mixing: cold white LED with colour wheel
- Colour wheel: 14 dichroic filters + open on 2 independent colour wheels (7 + 7)

DYNAMIC EFFECTS

- Animation wheel: animation wheel with CW and CCW rotation
- Rotating gobos: 7 rotating gobos + open, interchangeable, indexing
- Gobo size: outer: 26,9 mm - image: 23 mm - thickness: 1,1 mm
- Circular prism: 3f with bi-directional rotation, indexing
- Frost: linear 0 - 100% frost filter
- Iris: 5 - 100% motorised linear iris
- Special features: record scenes and create chases and shows throughout these scenes

BODY

- Body: weatherproof IP66 construction
- Body colour: cool gray 6C

CONTROL

- Protocols: DMX512, RDM, W-DMX
- DMX channels: 12 / 14 / 16channel
- W-DMX: included, wireless solution receiver
- RDM: RDM ready for fixture remote monitor and settings
- Display: black OLED touch display

- Firmware upgrade: yes, via USB - DMX interface (UPBOX1) not included

ELECTRONICS

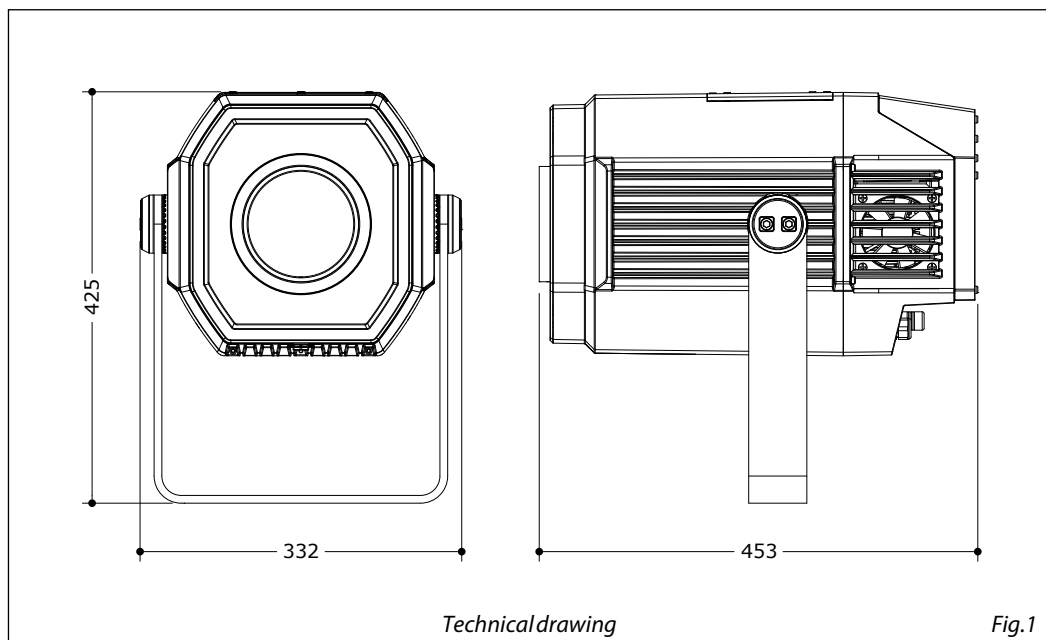
- Dimmer: linear 0 ~ 100% electronic dimmer
- Dimmer curves: 4 different dimming curves available
- Strobe / shutter: 1~30 Hz, electronic
- Operating temperature: -20° ~ +45°

ELECTRICAL

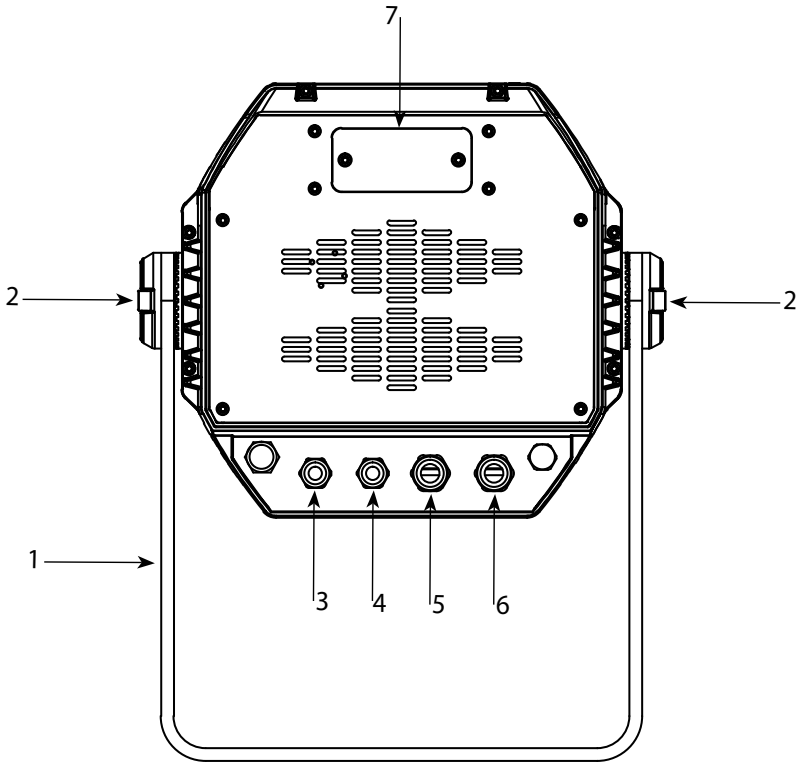
- Power supply: 100-240 V – 50/60 Hz
- Power consumption (at 230V): 316W
- Power consumption (at 120V): 320W
- Output (at 230V): 11 units on a single power line
- Output (at 120V): 6 units on a single power line

PHYSICAL

- Cooling: forced air with IP low noise fan
- Suspension and fixing: hanging bracket suitable for safe hanging and positioning
- Adaptors: XLR and Shuko 16A adaptors included
- Signal connection: moulded IP signal IN/OUT connectors
- Data connection: W-DMX receiver
- Power connection: moulded IP power IN/OUT connectors
- IP rating: 66 for outdoor installations
- Dimensions (WxHxD): 332x425x453mm
- Weight: 19,3kg



1.3 OPERATING ELEMENTS AND CONNECTIONS



Rear panel

Fig.2

1. MOUNTING BRACKET
2. 2x HEXAGONAL HEAD SCREW SYSTEMS for side, to tighten the bracket.
3. DMX IN (5-pole XLR): 1 = ground, 2 = DMX-, 3 = DMX+, 4 N/C, 5 N/C.
4. DMX OUT (5-pole XLR): 1 = ground, 2 = DMX-, 3 = DMX+, 4 N/C, 5 N/C.
5. POWER IN: for connection to a socket (100-240V~/50-60Hz) via the supplied mains cable.
6. POWER OUT: connect to supply power to the next unit
7. CONTROL PANEL with display and 4 button used to access the control panel functions and manage them.

- 2 - INSTALLATION

2.1 MOUNTING

MOSAICO may be set up on a solid and even surface. The unit can also be mounted upside down to a cross arm. For fixing, stable mounting clips are required. The mounting place must be of sufficient stability and be able to support a weight of 10 times of the unit's weight.

When carrying out any installation, always comply scrupulously with all the regulations (particularly regarding safety) currently in force in the country in which the fixture's being used.

- Install the projector at a suitable location by means of the mounting bracket (1).
- Always additionally secure the projector with the safety rope from falling down. For this purpose, fasten the safety rope at a suitable position so that the maximum fall of the projector will be 20 cm.
- Adjust the projector and use the knob (2) to slightly release or tighten the locking mechanism of the bracket if is necessary.

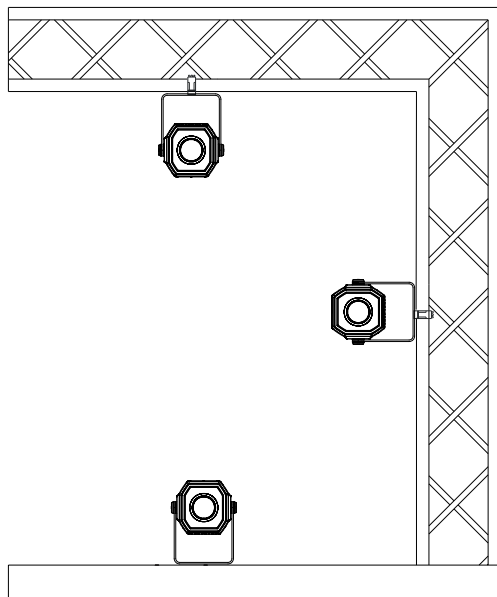
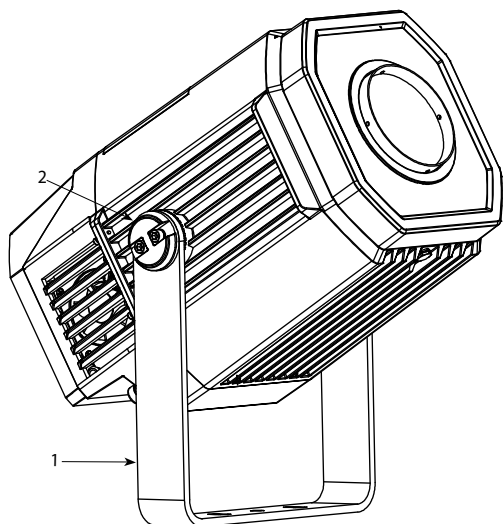


Fig.3

2.2 MOUNTING WITH OPTIONAL BRACKET

MOSAICO bracket for wall mounting and suspension on poles with square cross-section with diameter from 50x50 mm to 150x150mm or circular cross-section with diameter from 50 mm to 150 mm. N.B.: Only the connection kit MOSAICO - bracket (3 pcs M12 screws, 3 pcs nuts) is included in the package.

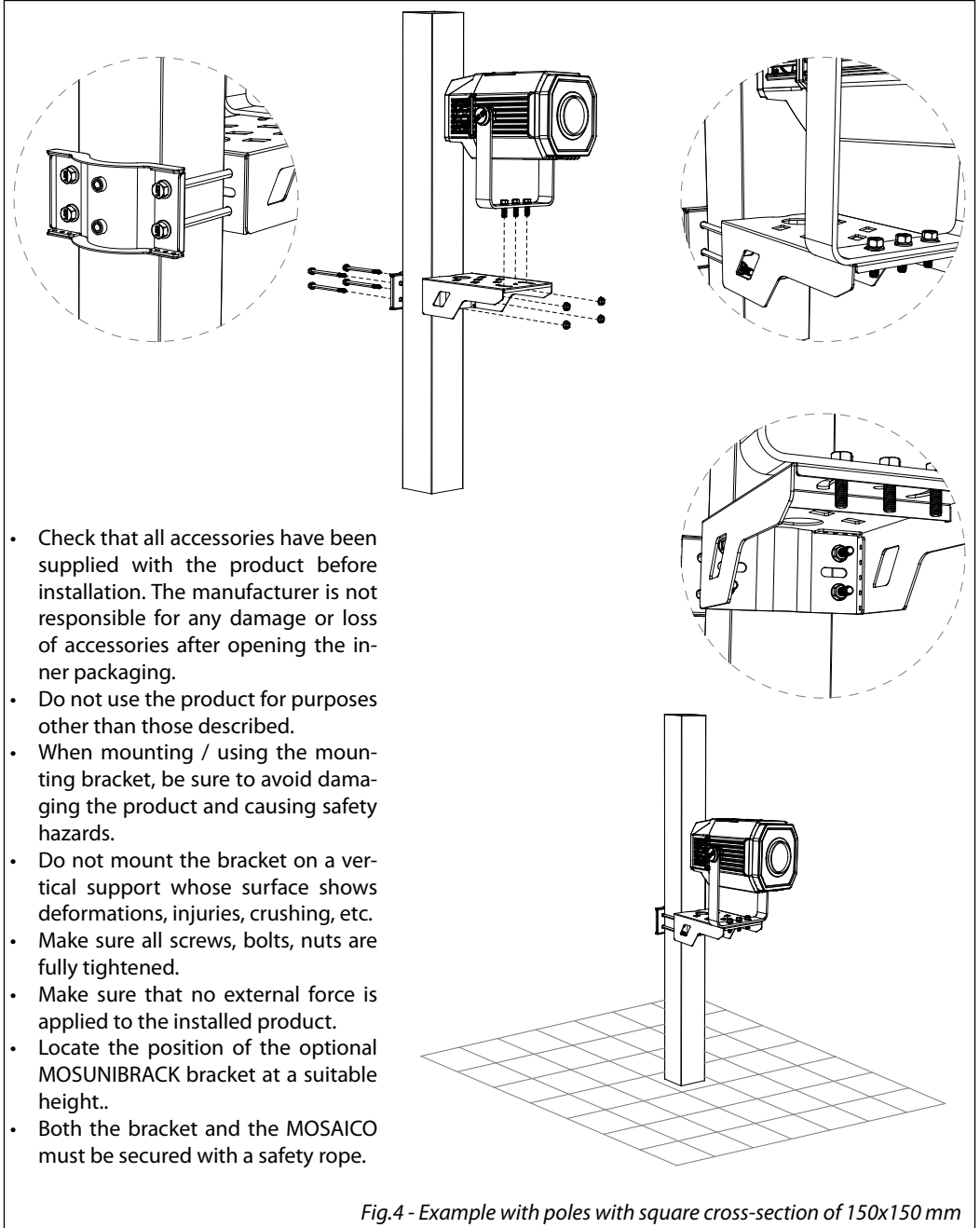


Fig.4 - Example with poles with square cross-section of 150x150 mm

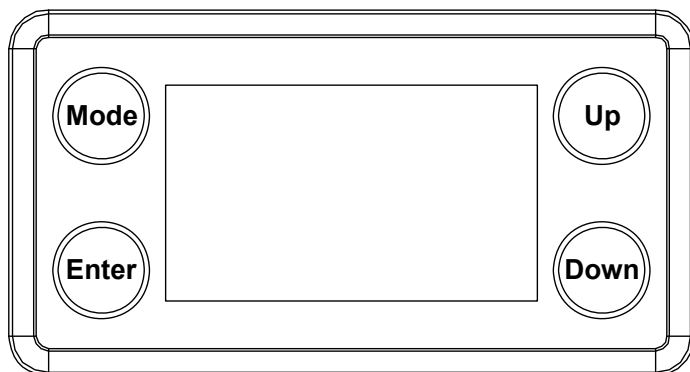
- 3 - FUNCTIONS AND SETTINGS

3.1 OPERATION

Connect the supplied main cable to a socket (100-240V~/50-60Hz). Then the unit is ready for operation and can be operated via a DMX controller or it independently performs its show program in succession. To switch off, disconnect the mains plug from the socket. For a more convenient operation it is recommended to connect the unit to a socket which can be switched on and off via a light switch.

3.2 BASIC

Access control panel functions using the four panel buttons located directly underneath the LED Display (fig.4).



MENU	UP	DOWN	ENTER
Used to access the menu or to return a previous menu option	Navigates downwards through the menu list and increases the numeric value when in a function	Navigates upwards through the menu list and decreases the numeric value when in a function	Used to select and store the current menu or confirm the current function value or option within a menu

Fig.4 - Functions of the buttons

3.3 MENU STRUCTURE

MENU	
1	CONNECT
	⇒ DMX Address ⇒ Value (1-512) Default: 1
	DMX Mode ⇒ 12 CH Default: 12CH 14 CH 16 CH
	Wireless Receive On/Off ⇒ On/Off Default: Off
	Receive Reset ⇒ Yes/No Default: No
	Wireless to DMX ⇒ Yes/No Default: No
2	SET UP
	⇒ Screen ⇒ Backlight ⇒ On Default: 10s 10s 20s 30s
	Flip Display ⇒ Yes/No Default: No
	Warn Cue ⇒ On/Off Default: On
	Key Lock ⇒ Yes/No Default: No
	Fixture ⇒ Fan mode ⇒ Auto/High Default: Auto
	Temperature unit ⇒ °C/°F Default: °C
	Auto Test ⇒ Auto Test
	Manual Test ⇒ Shutter Dimmer ⇒ Value (000-255) for each function Default: Dimmer=255 Color1 Color2 Gobo RGobo PrismRot Frost Focus Zoom Animation RAnimation Shutter = 255
	Reset ⇒ All ⇒ Yes/No
	Color 1 Color 2 Gobo Prism Frost Focus Zoom Animation
	Adjust (Password: 050) ⇒ Color1 Offset ⇒ Value (000-255) for each function Color2 Offset Gobo Offset RGobo Offset Prism Offset RPrism Offset Frost Offset Focus Offset Zoom Offset Animation Offset
Factory Reload ⇒ Yes/No	

4	INFORMATION	⇒	Fixture Time	⇒	0-9999		Default: 0	
			Temperature	⇒	** °C			
			Fans Speed	⇒	**%			
			Software Version	⇒	DISP: V1.0 CTR1:V1.0 CTR2:V1.0			
			UID	⇒	15D0*****			
			View					
5	STAND ALONE	⇒	Play	⇒	Off		Default: Off	
			Show	⇒	Show 1 Show 2 Show 3		Default: Show 1	
			Chase	⇒	Chase 1 ... Chase 8		Default: Chase 1	
			Scene	⇒	Scene 1 ... Scene 32		Default: Scene 1	
	Edit Show	⇒	Edit Show 1 Edit Show 2 Edit Show 3	⇒	Chase 1(On-Off) - Chase 8(On-Off) Chase 1(On-Off) - Chase 8(On-Off) Chase 1(On-Off) - Chase 8(On-Off)		Default: Off	
	Edit Chase	⇒	Edit Chase 1 Edit Chase 2 Edit Chase 3 Edit Chase 4 Edit Chase 5 Edit Chase 6 Edit Chase 7 Edit Chase 8	⇒	Step 1-16 Step 1-16 Step 1-16 Step 1-16 Step 1-16 Step 1-16 Step 1-16 Step 1-16	Off - Scenes1-32 Off - Scenes1-32 Off - Scenes1-32 Off - Scenes1-32 Off - Scenes1-32 Off - Scenes1-32 Off - Scenes1-32 Off - Scenes1-32	Default: Off	
	Edit Scenes	⇒	Edit Scenes 01 Edit Scenes 02 Edit Scenes 03 Edit Scenes 30 Edit Scenes 31 Edit Scenes 32	⇒	New/Edit Scene	⇒	Shutte/Dimmer/ Color1/Color2/ Gobo... Shutte/Dimmer/ Color1/Color2/ Gobo... Shutte/Dimmer/ Color1/Color2/ Gobo... ... Shutte/Dimmer/ Color1/Color2/ Gobo... Shutte/Dimmer/ Color1/Color2/ Gobo... Shutte/Dimmer/ Color1/Color2/ Gobo... ... Shutte/Dimmer/ Color1/Color2/ Gobo... Shutte/Dimmer/ Color1/Color2/ Gobo... ... Shutte/Dimmer/ Color1/Color2/ Gobo...	Default: Dimmer: 255 Shutter: 255 Focus: 128 Zoom: 128 All others at 0
			Copy Scene	⇒	Off Scenes 01 Scenes 02 Scenes 03 ... Scenes 30 Scenes 31 Scenes 32			

Scenes Record	⇒	Scenes 01 Scenes 02 Scenes 03 Scenes 30 Scenes 31 Scenes 32	⇒	*	DMX - Scenes Record	
Slave setup	⇒	Edit Scenes 01 Edit Scenes 02 Edit Scenes 30 Edit Scenes 32	⇒	RGobo/ Focus/Zoom/RShutter RGobo/ Focus/Zoom/RShutter RGobo/ Focus/Zoom/RShutter RGobo/ Focus/Zoom/RShutter RGobo/ Focus/Zoom/RShutter RGobo/ Focus/Zoom/RShutter		Default: RGobo: 0 Focus: 128 Zoom: 128 RShutter:0
Scenes Time	⇒	Scene 01 Time Scene 02 Time Scene 03 Time Scene 30 Time Scene 31 Time Scene 32 Time	⇒	Fade in Time Hold Time Fade Out Time	⇒	0000.0 - 3600.0 Default: 0000:0s 0001:0s 0000:0s
Chase Time	⇒	Chase 1 Time Chase 2 Time Chase 3 Time Chase 4 Time Chase 5 Time Chase 6 Time Chase 7 Time Chase 8 Time	⇒	0000.0 - 3600.0		Default: 0001.0s
Move blackout	⇒	Scene 01 Scene 02 Scene 03 Scene 30 Scene 31 Scene 32	⇒	Off-On		Default: No

3.4 CONNECT

Several units may be interconnected in order to control all further slave units to the same effect of the master unit.

1. Connect the DMX OUT of the master unit via 5-pole XLR cable to the DMX IN of the first slave unit.
2. Connect the DMX OUT of the first slave unit to the DMX IN of the second slave unit, etc. until all units are connected in a chain.

3.5 DMX ADDRESSING

To enter the DMX mode, follow these steps:

- Press the MENU button to access the main menu.
- Press the UP/DOWN button to scroll the menu, select **Connect**, then press the ENTER button to enter the next menu.
- Press the UP/DOWN button to scroll through the menu, select **DMX Address** and press the ENTER key.
- Press the arrow keys to select the desired value (**001 ~ 512**).
- Press the ENTER key to confirm the setting.
- Press the MENU button repeatedly to exit the menu and save changes.

To able to operate the MOSAICO with a light controller, adjust the DMX start address for the first a DMX channel. If the address 33 on the controller is provided for controlling the function of the first DMX channel, adjust the start address 33 on the MOSAICO. The other functions of the light effect panel are then automatically assigned to the addresses shown in the table on the following page.

An example with the start address 33 is shown in fig.5.

3.6 DMX MODE

The MOSAICO has 3 DMX channel configurations which can be accessed from the control panel.

- Press the MENU button to access the main menu.
- Press the UP/DOWN button to scroll the menu, select **Connect**, then press the ENTER button to enter the next menu.
- Press the UP/DOWN button to scroll through the menu, select **DMX Mode** and press the ENTER button to enter the next menu.
- Use the UP/DOWN button to select the desired DMX channel configuration (**12 CH, 14 CH, 16 CH**, then press the ENTER button to confirm your choice.
- Press the MENU button repeatedly to exit the menu and save changes.

NOTE: the **16 CH** mode records and edits scenes directly from DMX.

3.7 WIRELESS

- To enter the Wireless mode proceed in the following mode:
- Press the MENU button to access the main menu.
- Press the UP/DOWN button to scroll the menu, select **Connect**, then press the ENTER button to enter the next menu.
- Select the **Wireless** function using the UP/DOWN buttons, then press the ENTER button.
- To activate the **Receive** function, use the UP/DOWN buttons and select the **On** option.
- Press the ENTER button to confirm the selection.
- Press the MENU button to go back or wait a few seconds to exit the setup menu.

NOTE - Once you have performed these steps, you must synchronize with any WiFi unit with which you want to communicate by pressing the sync button on it. At this point connect the DMX console to the WiFi unit to open the communication with the MOSAICO.

- To reset the unit, select the **Receive Reset** function using the UP/DOWN buttons, press the ENTER button

until the display shows **Connect**, then select **Receive Reset** using the UP/DOWN buttons, then press the ENTER button.

- To activate the mode use the UP / DOWN keys and select the **Yes** option.
- Press the ENTER button to confirm the selection.
- Press the MENU button to go back or wait a few seconds to exit the setup menu.
- To activate the **Wireless to DMX** function, use the UP / DOWN buttons to press the ENTER button until the display shows **Connect**, then select **Wireless to DMX**, then press the ENTER button.
- To activate the mode use the UP/DOWN buttons and select the **Yes** option.
- Press the ENTER button to confirm the selection.
- Press the MENU button to go back or wait a few seconds to exit the setup menu.

Number DMX channels	Address of start (example)	Address of start (example)	Next possible start address for unit n ° 1	Next possible start address for unit n ° 2	Next possible start address for unit n ° 3
12	33	33-44	45	57	69
14	33	33-46	47	61	75
16	33	33-48	49	65	81

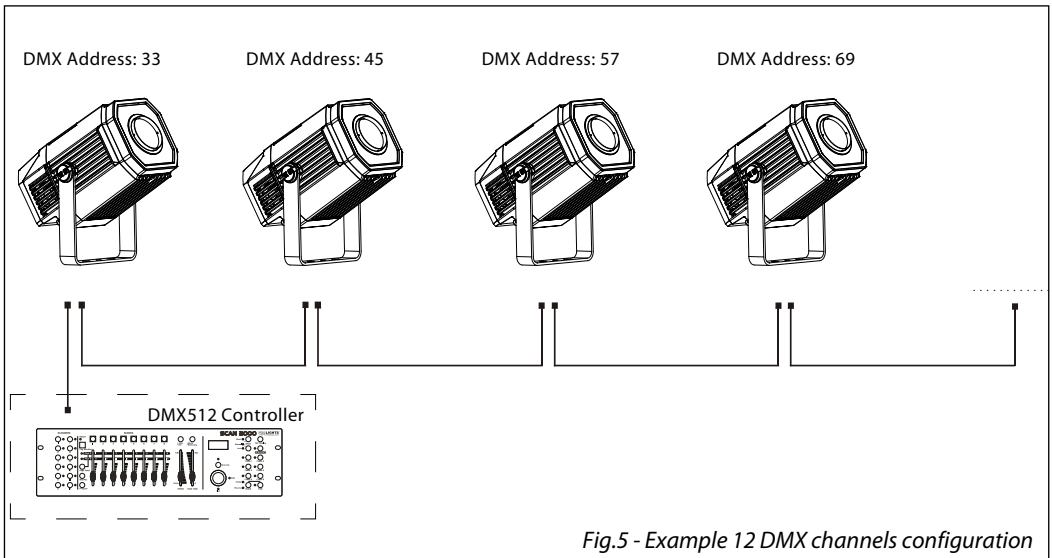


Fig.5 - Example 12 DMX channels configuration

3.8 SCREEN

You can change the following parameters related to the display, following the same procedure:

- Press the ENTER button to access the main menu.
- Press the UP / DOWN keys to scroll the menu, select **Set Up**, then press the ENTER button to enter the next menu.
- Press UP / DOWN to scroll through the menu, then select **Screen**, and press the ENTER button to enter the next menu.
- Press UP / DOWN to scroll through the menu, and then select one of the following settings for the display and press the ENTER key to display it.
 - **Back Light:** Backlight display. This feature allows you to automatically turn off the backlight after a

specified time that you can set using the arrow buttons. To have the display always on select **On** or choose another value to turn off the display after the amount of time you choose.

- **Flip Display:** Orientation of the display. This function allows you to rotate the display 180° to get a better view of the display when the unit is hanging upside down. Select **Yes** to activate or **No** to disable this function.
- **Warn Cue** - Warning of error. Use the arrow keys to select **Off** or **On** depending on whether or not the display shows error warnings.
- **Key Lock:** Lock keys. With this function, you can lock the buttons on the control panel. If this function is activated, the keys are automatically locked. To disable or temporarily disable the key lock function, press the buttons in the following order to regain access to menu commands: UP, DOWN, UP, DOWN, ENTER. Select **Yes** to activate or **No** to disable.
- Press the ENTER button to confirm your choice.
- Press the MENU button repeatedly to exit the menu and save changes.

3.9 FIXTURE SETTINGS

You can change the parameters for the device by following these steps:

- Press the button MENU to enter the menu mode.
- Use the buttons UP/DOWN to select **Set Up**. Press the button ENTER to confirm.
- Use the buttons UP/DOWN to select **Fixture**. Press the button ENTER to confirm.
- Press the buttons UP/DOWN to select the desired option and press the button ENTER to confirm:
 - **Fan Mode** - Fan speed. Select the desired fan speed **Auto**, **High** through the button UP/ DOWN.
 - **Temperature unit**. Select **Temperature unit** function and then choose **Celsius / Fahrenheit** measurement unit then press the ENTER button to confirm the selection.
- Press repeatedly the button MENU to return the menu mode.

3.10 AUTO TEST

Allow checking the proper functioning of the unit. Start the automatic test in the following way:

- Press the button MENU to enter the menu mode.
- Use the buttons UP/DOWN to select **Set Up**. Press the button ENTER to confirm.
- Press the buttons UP/DOWN to select the **Auto Test** and press ENTER to confirm.
- To confirm and start the automatic test press the ENTER button.

3.11 MANUAL TEST

It allows to do adjustments on the effects through commands panel to obtain a perfect balance between the projectors.

- Press the button MENU to enter the menu mode.
- Press the buttons UP/DOWN to select **Set Up**. Then press the button ENTER.
- Press the buttons UP/DOWN to select the **Manual Test**. Then press the button ENTER.
- Select the effect you want change (**Shutter**, **Dimmer**, **Color1**, **Color2**, **Gobo**, **RGobo**, **PrismRot**, **Frost**, **Focus**, **Zoom**, **Animation**, **RAnimation**). Then press the button ENTER to confirm.
- Use the directional buttons to calibrate the effect setting a value between **0 - 255**. Then press the button ENTER to confirm.
- Press repeatedly the button MENU to return the menu mode.

3.12 ADVANCED

It is possible to modify the following parameters following the same procedure:

- Press the MENU button to access the main menu.
- Press the UP/DOWN button to scroll through the menu, select **Advanced**, then press the ENTER button to enter the next menu.
- Press the UP/DOWN button to select one off the following parametres:
 - **Reset** - To start a preset program to restore the selected function (**All, Color 1, Color 2, Gobo, Prism , Frost, Focus, Zoom, Animation**).
 - **Adjust** - To allows you to change all parameters. Insert the password "050" to enter. Select the desired function (**Color1 Offset, Color2 Offset, Gobo Offset, RGobo Offset, Prism Offset, RPrism Offset, Frost Offset, Focus Offset, Zoom Offset, Animation Offset**) and the choose the value (**0 ~ 255**).
 - **Factory Reload** - To reset the unit. Select **Yes** or **No** and select ENTER to confirm.
- Press the ENTER button to confirm the selection and wait for the selected function to be restored.
- Press the MENU button repeatedly to exit the menu and to save the changes made.

3.13 INFORMATION ON THE DEVICE

To view all the information on the device, proceed as follows:

- Press the MENU button to access the main menu. Press the UP/DOWN button to select **Information**, then press the ENTER button to access the next menu.
- Press the UP/DOWN button to scroll through the menu, then select one of the following information and press the ENTER button to display it.
 - **Fixture Time** - To view the operating time of the projector.
 - **Temperature** - To view the temperature of the device in °C/°F on the display.
 - **Fans Speed** - to view on the display the fan speed present near the lamp.
 - **Software Version** - To view the firmware version will show on the display.
 - **UID** - To view the identification ID for the RDM control.
- Press the MENU button repeatedly to exit the menu and to save the changes made.

3.14 OPERATIONS IN AUTOMATIC MODE

Play Show

The unit independently runs through its show. Before you send an automatic program you need to set the drive as Master/Alone:

- Press the MENU button to access the main menu.
- Press the UP/DOWN button to scroll the menu, select **Stand Alone**, then press the ENTER button to enter the next menu.
- Press the UP/DOWN button to scroll through the menu, select **Play** and press the ENTER button to enter the next menu.
- Press the UP/DOWN button to scroll through the menu, select **Show** and press ENTER to confirm your choice.
- Press the UP/DOWN button to select the mode of operation: **Show 1, Show 2, Show 3**.
- Press the ENTER button to confirm your choice.
- Press the MENU button repeatedly to exit the menu and save changes.

The unit will go into automatic mode by executing the program automatically.

Play Chase

The function **Chase** lets you choose the automatic program to actually run.

- Press the MENU button to access the main menu.
- Press the UP/DOWN button to scroll the menu, select the **Stand Alone**, then press the ENTER button to enter the next menu.

- Press the UP/DOWN button to scroll through the menu, select **Play** and press the ENTER button to enter the next menu.
- Press the UP/DOWN button to scroll through the menu, select **Chase** and press the ENTER button to enter the next menu.
- Press the UP/DOWN button to scroll through the menu, then select **Chase 1 ~ Chase 8** and press ENTER to confirm.
- Press the MENU button repeatedly to exit the menu and save changes.

Play Scenes

The function **Scenes** lets you choose the scene to actually run.

- Press the MENU button to access the main menu.
- Press the UP/DOWN button to scroll the menu, select **Stand Alone**, then press the ENTER button to enter the next menu.
- Press the UP/DOWN button to scroll through the menu, select **Play** and press the ENTER button to enter the next menu.
- Press the UP/DOWN button to scroll through the menu, select **Scenes** and press the ENTER button to enter the next menu.
- Press the UP/DOWN button to scroll through the menu, then select **Scene 1 ~ Scene 32** and press ENTER to confirm.
- Press the MENU button repeatedly to exit the menu and save changes.

Edit Show

The function **Edit Show** allows you to create individual scenes to be included in the Chase Step.

- Press the MENU button to access the main menu.
- Press the UP/DOWN button to scroll the menu, select **Stand Alone**, then press the ENTER button to enter the next menu.
- Press the UP/DOWN button to scroll through the menu, select **Edit Show** and press the ENTER button to enter the next menu.
- Press the UP/DOWN button to scroll through the menu, select **Show 1/Show 2/Show 3**, then press the ENTER button to confirm.
- Press the UP/DOWN button to scroll through the menu, select **Chase 1 ~ Chase 8**, then press the ENTER button to confirm.
- Press the UP/DOWN button to change the value of the function, then press the ENTER button to confirm.
- Press the MENU button repeatedly to exit the menu and save changes.

Edit Chase

The function **Edit Chase** allows you to create automatic pre-programmed show.

The automatic programs **Chase1 ~ Chase8**. Each Chase can be composed of **1 ~ 16 step** that can be configured through the following procedure:

- Press the MENU button to access the main menu.
- Press the UP/DOWN button to scroll the menu, select **Stand Alone**, then press the ENTER button to enter the next menu.
- Press the UP/DOWN button to scroll through the menu, select **Edit Chases** and press the ENTER button to enter the next menu.
- Press the UP/DOWN button to scroll through the menu, select **Edit Chase 1 ~ Edit Chase 8**, then press the ENTER button to confirm.

- Press the UP/DOWN button to select the **Step 01 ~ Step 16**, and press ENTER to confirm.
- Press the UP/DOWN button to select the **Scene 1 ~ 32** you want to set for the Step chosen, and then press ENTER to confirm.
- Press the MENU button repeatedly to exit the menu and save changes.

Edit Scenes

The function **Edit Scenes** allows you to create individual scenes to be included in the Chase Step.

- Press the MENU button to access the main menu.
- Press the UP/DOWN button to scroll the menu, select **Stand Alone**, then press the ENTER button to enter the next menu.
- Press the UP/DOWN button to scroll through the menu, select **Edit Scenes** and press the ENTER button to enter the next menu.
- Press the UP/DOWN button to scroll through the menu, select **Edit Scene 1 ~ Edit Scene 32**, then press the ENTER button to confirm.
- Then choose the desired function: **New / Edit Scene** or **Copy Scene**.
- Press the UP/DOWN button to select the desired function you want to edit (**Control, Dimmer, etc.**), Then press the ENTER button to confirm.
- Press the UP/DOWN button to change the value of the function, then press the ENTER button to confirm.
- Press the MENU button repeatedly to exit the menu and save changes.

Scenes Record

The **Scenes Record** function allows the recording of MOSAICO scenes through the console on which the fixture was stored in Scene Record, capable of driving the beacon functions expressed in DMX.

- Press the MENU button to access the main menu.
- Press the UP/DOWN button to scroll through the menu, select **Stand Alone**, then press the ENTER button to enter the next menu.
- Press the UP/DOWN button to scroll through the menu, select **Scenes Record** and press the ENTER button to enter the next menu.
- Press the UP/DOWN button to select the scene to edit in the automatic program, then press the ENTER button to confirm. After pushing ENTER button, MOSAICO will wait for the confirm.
- From the DMX console, change the parameters of the MOSAICO based on the scene to be created.
- After creating the scene, press ENTER on the MOSAICO (the message STORED will appear).
- Press the MENU button repeatedly to exit the menu and save changes.

Slave Setup

The function **Slave Setup** allows you to execute automatic pre-programmed show set on the master projector.

- Press the MENU button to access the main menu.
- Press the UP/DOWN button to scroll the menu, select **Stand Alone**, then press the ENTER button to enter the next menu.
- Press the UP/DOWN button to scroll through the menu, select **Slave Setup** and press the ENTER button to enter the next menu.
- Press the UP/DOWN button to scroll through the menu, select **Edit Scene 1 ~ Edit Scene 32**, then press the ENTER button to confirm.
- Press the UP/DOWN button to select the desired function you want to edit (**RGobo, Focus, Zoom**), Then press the ENTER button to confirm.

- Press the UP/DOWN button to change the value of the function, then press the ENTER button to confirm.
- Press the MENU button repeatedly to exit the menu and save changes.

NOTE: if the Slave units have to do the same operation as the MASTER, during a recording, the values of **Focus**, **Zoom** and **RGobo** will not be stored. These values must be adjusted manually on the Slave units, via this section.

Scenes Time

The **Scenes Time** function allows you to set the input, duration and output times of each single scene.

- Press the ENTER key to access the main menu.
- Press the UP / DOWN button to scroll through the menu, select **Stand Alone**, then press the ENTER button to access the next menu.
- Press the UP / DOWN button to select **Scenes Time** and press the ENTER button to access the next menu.
- Press the UP / DOWN button to select **Scene 01 Time ~ Scene 32 Time**, then press the ENTER button.
- Press the UP / DOWN button to change the following times, then press the ENTER button to confirm:
 - **Fade in Time** - scene entry time.
 - **Hold Time** - time duration of the scene.
 - **Fade Out Time** - time out of the scene.

Press the MENU key several times to exit the menu and to save the changes made.

Move blackout

The **Move Blackout** function allows you not to display the scroll between one scene and another; any kind of change between a scene and the next occurs "in the dark".

- Press the ENTER key to access the main menu.
- Press the UP / DOWN button to scroll through the menu, select **Stand Alone**, then press the ENTER button to access the next menu.
- Press the UP / DOWN button to select **Move Blackout** and press the ENTER button to access the next menu.
- Press the UP / DOWN button to select **On or Off** then press the ENTER button.
- Press the MENU key several times to exit the menu and to save the changes made.

When the projector is in **Stand Alone** it turns out to be MASTER, as well as if you enter or connect the projector to the DMX. When you exit the menu or disconnect the DMX connection, the projector restarts the show execution from the last scene interrupted by these two actions.

3.15 DMX CONTROL

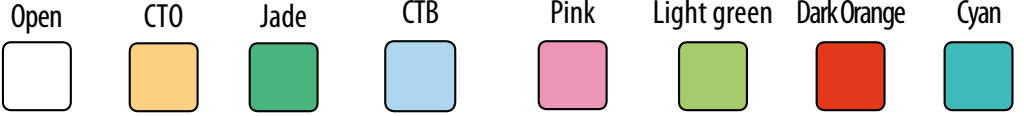
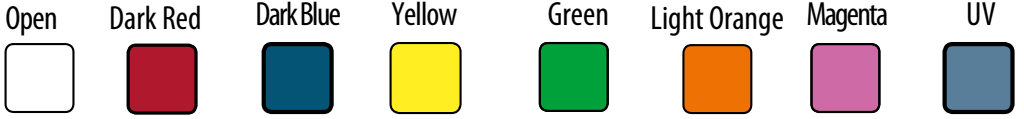
12 CH	14 CH	16 CH	SCENES RECORD	FUNCTION	DMX Value
1	1	1	1	SHUTTER Shutter closed No function (shutter open) Strobe effect slow to fast No function (shutter open) Pulse-effect in sequences No function (shutter open) Random strobe effect slow to fast No function (shutter open)	000 - 031 032 - 063 064 - 095 096 - 127 128 - 159 160 - 191 192 - 223 224 - 255
2	2	2	2	DIMMER Dimmer (close to open)	000 - 255
3	3	3	3	COLOR WHEEL 1 Indexed Open Open+DARK RED DARK RED DARK RED + DARK BLUE DARK BLUE DARK BLUE + YELLOW YELLOW YELLOW + GREEN GREEN GREEN + LIGHT ORANGE LIGHT ORANGE LIGHT ORANGE + MAGENTA MAGENTA MAGENTA + UV UV UV+Open Forward Spin Fast to slow Stop Rotation Stop Reverse Spin Slow to fast Continuous Positioning from 1 to 15	000 - 003 004 - 007 008 - 011 012 - 015 016 - 019 020 - 023 024 - 027 028 - 031 032 - 035 036 - 039 040 - 043 044 - 047 048 - 051 052 - 055 056 - 059 060 - 063 064 - 094 095 - 096 097 - 127 128 - 255
4	4	4	4	COLOR WHEEL 2 Indexed Open Open+CTO CTO CTO + JADE JADE JADE + CTB CTB CTB + PINK PINK	000 - 003 004 - 007 008 - 011 012 - 015 016 - 019 020 - 023 024 - 027 028 - 031 032 - 035

12 CH	14 CH	16 CH	SCENES RECORD	FUNCTION	DMX Value
4	4	4	4	PINK + LIGHT GREEN LIGHT GREEN LIGHT GREEN + DARK ORANGE DARK ORANGE DARK ORANGE + CYAN CYAN CYAN+Open Forward Spin Fast to slow Stop Rotation Stop Reverse Spin Slow to fast Continuous Positioning from OPEN to CYAN	036 - 039 040 - 043 044 - 047 048 - 051 052 - 055 056 - 059 060 - 063 064 - 094 095 - 096 097 - 127 128 - 255
5	5	5	5	ROTATING GOBO WHEEL Open Position 1 Position 2 Position 3 Position 4 Position 5 Position 6 Position 7 Position 1 Shaking slow to fast Position 2 Shaking slow to fast Position 3 Shaking slow to fast Position 4 Shaking slow to fast Position 5 Shaking slow to fast Position 6 Shaking slow to fast Position 7 Shaking slow to fast Fast to Slow(Forward Spin) Stop (Stop Rotation) Slow to Fast(Revers Spin)	000 - 005 006 - 010 011 - 015 016 - 020 021 - 025 026 - 030 031 - 035 036 - 040 041 - 055 056 - 070 071 - 085 086 - 100 101 - 115 116 - 130 131 - 145 146 - 199 200 - 201 202 - 255
6	6	6	6	ROTATING GOBO Positioning from 0-360 degrees (Indexing) Fast to Slow Stop Slow to Fast	000 - 191 192 - 221 222 - 225 226 - 255
7		7	7	PRISM ROT Prism Off Index Fast to Slow Stop Slow to Fast	000 - 000 001 - 127 128 - 189 190 - 193 194 - 255
	7			PRISM Prism Off Indexed Rotation	000 - 020 021 - 127 128 - 255
	8			PRISM Indexed Fast to Slow Stop Slow to Fast	000 - 255 000 - 127 128 129 - 255

12 CH	14 CH	16 CH	SCENES RECORD	FUNCTION	DMX Value
8	9	8	8	FROST 0% to 100%	000 - 255
9	10	9	9	FOCUS	000 - 255
10	11	10	10	ZOOM	000 - 255
11				ANIMATION WHEEL Open/No Function Forward stop to fastest Stop Reverse stop to fastest	000 - 003 004 - 127 128 - 131 132 - 255
	12	11	11	ANIMATION Effect Off Linear insertion	000 - 007 008 - 255
	13	12	12	ANIMATION ROTATION Positioning 0°~360° Slowest to fastest(Forward Spin) Stop Fastest to Slowest(Reverse Spin)	000 - 191 192 - 221 222 - 225 226 - 255
12	14			CONTROL No function Enable blackout while color change (Hold 3 Second) Disable blackout while color change (Hold 3 Second) Enable blackout while gobo change (Hold 3 Second) Disable blackout while gobo change (Hold 3 Second) Color1 Reset (Hold 3 Second) Color2 Reset (Hold 3 Second) Gobo1 Reset (Hold 3 Second) Prism Reset (Hold 3 Second) Focus Reset (Hold 3 Second) Zoom Reset (Hold 3 Second) Frost Reset (Hold 3 Second) Effect Reset (Hold 3 Second) No function Reset all (Hold 3 Second) No function	000 - 059 060 - 069 070 - 079 080 - 089 090 - 099 100 - 109 110 - 119 120 - 129 130 - 139 140 - 149 150 - 159 160 - 169 170 - 179 180 - 199 200 - 209 210 - 255
		13		SHOW No Function Show 1 Show 2 Show 3	000 - 063 064 - 127 128 - 191 192 - 255
		14		CHASE No Function Chase 1 Chase 2 Chase 3 Chase 4 Chase 5 Chase 6 Chase 7 Chase 8	000 - 028 029 - 056 057 - 085 086 - 113 114 - 141 142 - 170 171 - 198 199 - 226 227 - 255

12 CH	14 CH	16 CH	SCENES RECORD	FUNCTION	DMX Value
		15		SCENE No Function Scene 1 Scene 2 Scene 3 Scene 4 Scene 5 Scene 6 Scene 7 Scene 8 Scene 9 Scene 10 Scene 11 Scene 12 Scene 13 Scene 14 Scene 15 Scene 16 Scene 17 Scene 18 Scene 19 Scene 20 Scene 21 Scene 22 Scene 23 Scene 24 Scene 25 Scene 26 Scene 27 Scene 28 Scene 29 Scene 30 Scene 31 Scene 32	000 - 007 008 - 015 016 - 023 024 - 030 031 - 038 039 - 046 047 - 054 055 - 061 062 - 069 070 - 077 078 - 085 086 - 092 093 - 100 101 - 108 109 - 115 116 - 123 124 - 131 132 - 139 140 - 146 147 - 154 155 - 162 163 - 170 171 - 177 178 - 185 186 - 193 194 - 200 201 - 208 209 - 216 217 - 224 225 - 231 232 - 239 240 - 247 248 - 255
		16		SCENE RECORD No Function Edit Scene Mode Edit Scene Mode (Hold 3S and Save)	000 - 010 011 - 128 129 - 255

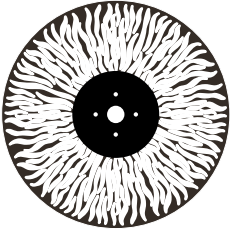
3.16 COLOR



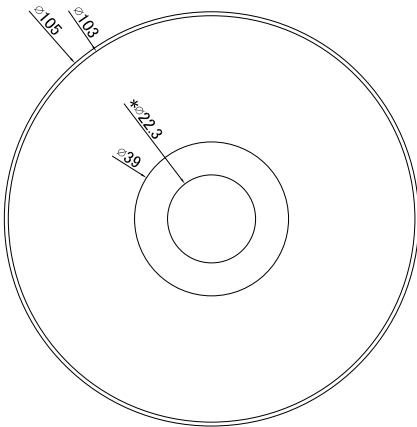
ROTATING GOBOS



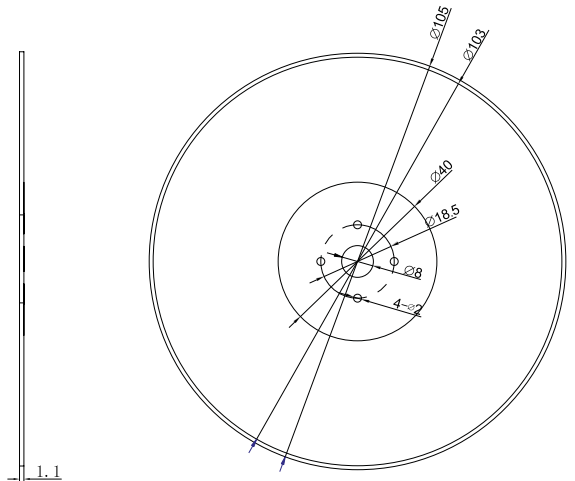
ANIMATION WHEEL



Glass



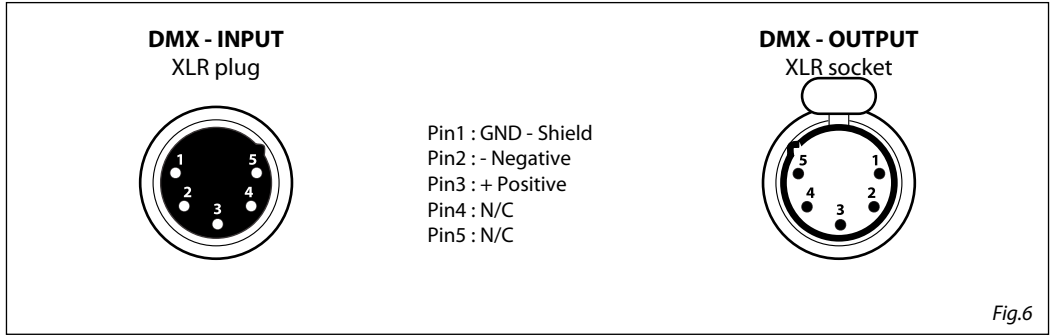
Metal



3.17 CONNECTION OF THE DMX LINE

DMX connection employs standard XLR connectors. Use shielded pair-twisted cables with 120Ω impedance and low capacity.

The following diagram shows the connection mode:



ATTENTION

The screened parts of the cable (sleeve) must never be connected to the system's earth, as this would cause faulty fixture and controller operation.

Over long runs can be necessary to insert a DMX level matching amplifier.

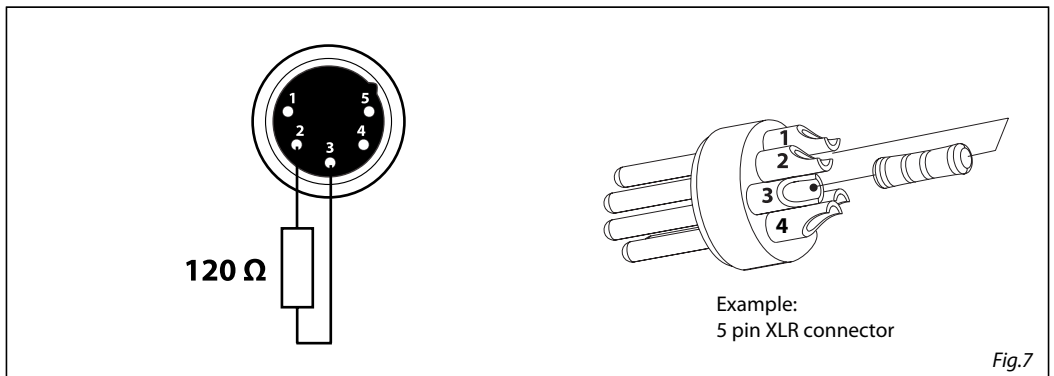
For those connections the use of balanced microphone cable is not recommended because it cannot transmit control DMX data reliably.

- Connect the controller DMX input to the DMX output of the first unit.
- Connect the DMX output to the DMX input of the following unit. Connect again the output to the input of the following unit until all the units are connected in chain.
- When the signal cable has to run longer distance is recommended to insert a DMX termination on the last unit.

3.18 CONSTRUCTION OF THE DMX TERMINATION

The termination avoids the risk of DMX 512 signals being reflected back along the cable when they reach the end of the line: under certain conditions and with certain cable lengths, this could cause them to cancel the original signals.

The termination is prepared by soldering a 120Ω 1/4 W resistor between pins 2 and 3 of the 5-pin male XLR connector, as shown in figure.



- 4 - MAINTENANCE

4.1 MAINTENANCE AND CLEANING THE UNIT

- Make sure the area below the installation place is free from unwanted persons during setup.
- Switch off the unit, unplug the main cable and wait until the unit has cooled down.
- All screws used for installing the device and any of its parts should be tightly fastened and should not be corroded.
- Housings, fixations and installation spots (ceiling, trusses, suspensions) should be totally free from any deformation.
- The main cables must be in impeccable condition and should be replaced immediately even when a small problem is detected.
- It is recommended to clean the front at regular intervals, from impurities caused by dust, smoke, or other particles to ensure that the light is radiated at maximum brightness. For cleaning, disconnect the main plug from the socket. Use a soft, clean cloth moistened with a mild detergent. Then carefully wipe the part dry. For cleaning other housing parts use only a soft, clean cloth. Never use a liquid, it might penetrate the unit and cause damage to it.

4.2 TROUBLESHOOTING

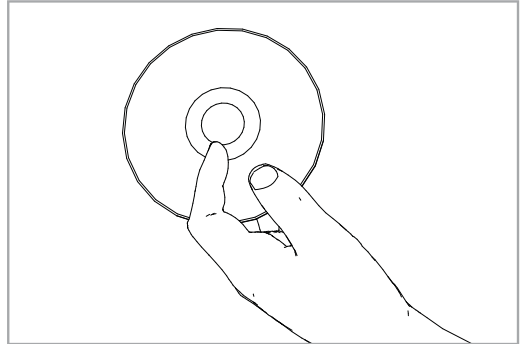
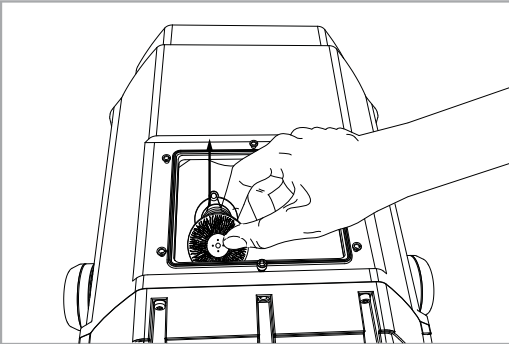
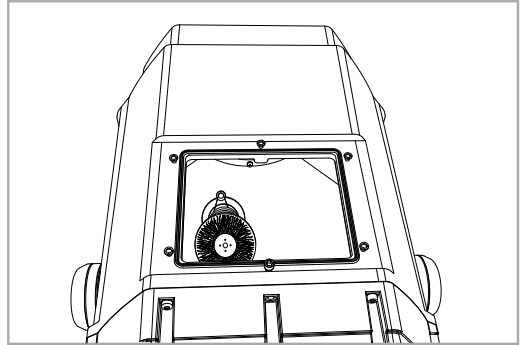
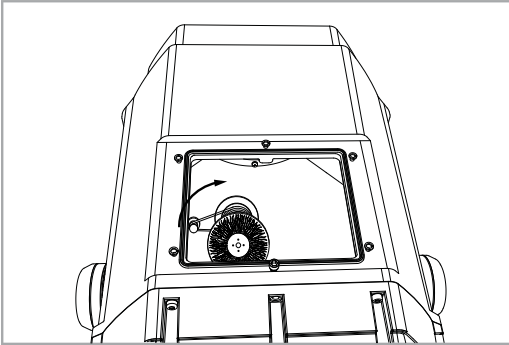
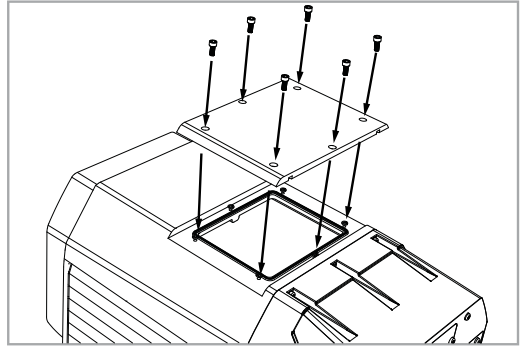
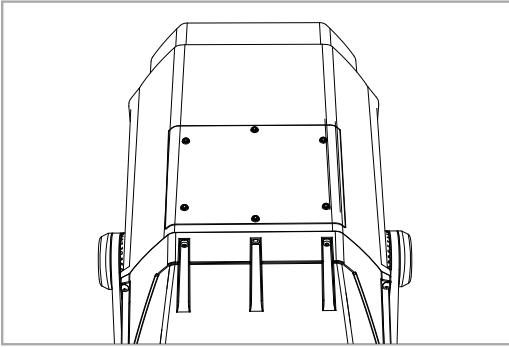
Problems	Possible causes	Checks and remedies
Fixture does not light up	<ul style="list-style-type: none"> • No mains supply • Dimmer fader set to 0 • All color faders set to 0 • Faulty LED • Faulty LED board 	<ul style="list-style-type: none"> • Check the power supply voltage • Increase the value of the dimmer channels • Increase the value of the color channels • Replace the LED board • Replace the LED board
General low light intensity	<ul style="list-style-type: none"> • Dirty lens assembly • Misaligned lens assembly 	<ul style="list-style-type: none"> • Clean the fixture regularly • Install lens assembly properly
Fixture does not power up	<ul style="list-style-type: none"> • No power • Loose or damaged power cord • Faulty internal power supply 	<ul style="list-style-type: none"> • Check for power on power outlet • Check power cord • Replace internal power supply
Fixture does not respond to DMX	<ul style="list-style-type: none"> • Wrong DMX addressing • Damaged DMX cables • Bouncing signals 	<ul style="list-style-type: none"> • Check control panel and unit addressing • Check DMX cables • Install terminator as suggested

Contact an authorized service center in case of technical problems or not reported in the table can not be resolved by the procedure given in the table.

4.3 ANIMATION WHEEL REPLACEMENT

This procedure will explain how to replace the animation wheel.

1. To change the animation wheel, disconnect the fixture from power and allow components to cool.
2. Remove the upper cover by removing the 6 screws, to access the internal mechanics.
3. Move the animation wheel by rotating the blade to the right until the maximum extension of the housing. To extract the animation wheel from the housing, lightly press it towards the back of the projector.
4. Replace the animation wheel and reposition the housing paddle.
5. Close the cover by tightening the previously removed screws.

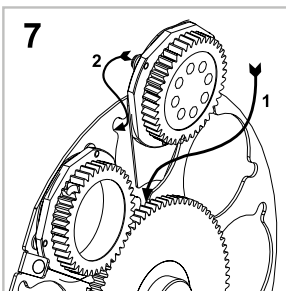
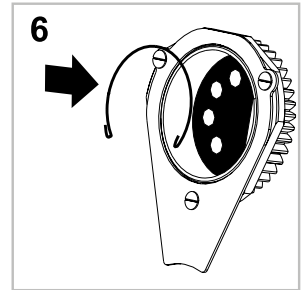
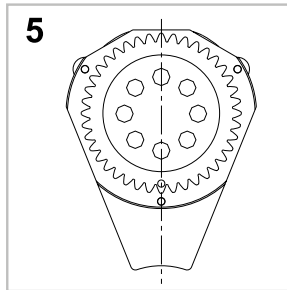
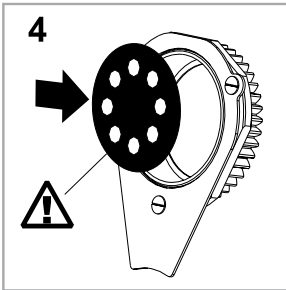
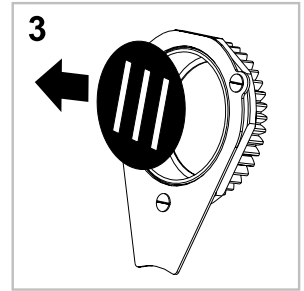
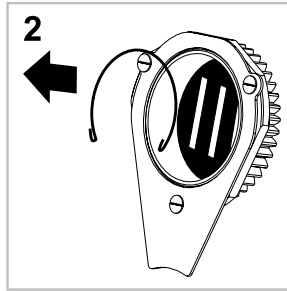
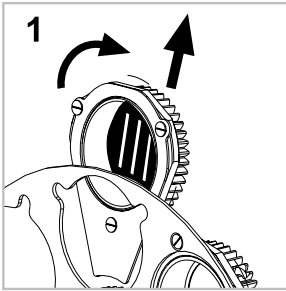


4.4 GOBOS REPLACEMENT

Questa procedura spiegherà come sostituire i gobos.

1. Lift and extract the gobo holder you want to replace from the gobo wheel.
2. Remove the spring that secures the gobo to the support.
3. Insert the new gobo respecting the direction of the painted part.
4. Insert the spring.
5. Replace the gobo support in the wheel.
6. Verify that the gobos run without hindrance and reassemble the group following the procedure in reverse.

NOTE: gobo holder with magnet need to be fit obligatory inside slot number 3 (see paragraph "Rotating gobos").



Music & Lights S.r.l. si riserva ogni diritto di elaborazione in qualsiasi forma delle presenti istruzioni per l'uso.
La riproduzione - anche parziale - per propri scopi commerciali è vietata.

Al fine di migliorare la qualità dei prodotti, la Music&Lights S.r.l. si riserva la facoltà di modificare, in qualunque momento e senza preavviso, le specifiche menzionate nel presente manuale di istruzioni. Tutte le revisioni e gli aggiornamenti sono disponibili nella sezione 'Manuali' sul sito www.musiclights.it

INDICE	Sicurezza	
	Avvertenze generali	4
	Attenzioni e precauzioni per l'installazione	4
	1 Introduzione	
	1.1 Descrizione	5
	1.2 Specifiche tecniche	5
	1.3 Elementi di comando e di collegamento	7
	2 Installazione	
	2.1 Montaggio	8
	2.2 Montaggio con staffa opzionale	9
	3 Funzioni e impostazioni	
	3.1 Funzionamento	10
	3.2 Impostazione base	10
	3.3 Struttura menu	11
	3.4 Collegamento	14
	3.5 Indirizzo dmx	14
	3.6 Modalità dmx	14
	3.7 Wireless	14
	3.8 Screen	15
	3.9 Impostazioni del dispositivo	16
	3.10 Auto test	16
	3.11 Manual test	16
	3.12 Advanced	16
	3.13 Informazioni sul dispositivo	17
	3.14 Operazioni in modalità automatica	17
	3.15 Canali DMX	21
	3.16 Ruota colori e gobos	25
	3.17 Collegamenti della linea DMX	26
	3.18 Costruzione del terminatore DMX	26
	4 Manutenzione	
	4.1 Manutenzione e pulizia del sistema ottico	27
	4.2 Risoluzione dei problemi	27
	4.3 Sostituzione animation wheel	28
	4.4 Sostituzione gobos	29

Contenuto dell'imballo:

- MOSAICO
 - Adattatore cavo di alimentazione
 - Adattatore cavo di segnale (2 pz)
 - Manuale utente
-




ATTENZIONE! Prima di effettuare qualsiasi operazione con l'unità, leggere con attenzione questo manuale e conservarlo accuratamente per riferimenti futuri. Contiene informazioni importanti riguardo l'installazione, l'uso e la manutenzione dell'unità.



SICUREZZA

Avvertenze generali

- I prodotti a cui questo manuale si riferisce sono conformi alle Direttive della Comunità Europea e pertanto recano la sigla **CE**.
- Il dispositivo funziona con pericolosa tensione di rete 230V~. Non intervenire mai al suo interno al di fuori delle operazioni descritte nel presente manuale; esiste il pericolo di una scarica elettrica.
- È obbligatorio effettuare il collegamento ad un impianto di alimentazione dotato di un'efficiente messa a terra (apparecchio di Classe I secondo norma EN 60598-1). Si raccomanda, inoltre, di proteggere le linee di alimentazione delle unità dai contatti indiretti e/o cortocircuiti verso massa tramite l'uso di interruttori differenziali opportunamente dimensionati.
- Le operazioni di collegamento alla rete di distribuzione dell'energia elettrica devono essere effettuate da un installatore elettrico qualificato. Verificare che frequenza e tensione della rete corrispondono alla frequenza ed alla tensione per cui l'unità è predisposta, indicate sulla targhetta dei dati elettrici.
- L'unità non per uso domestico, solo per uso professionale.
- Evitare di utilizzare l'unità:
 - in luoghi soggetti a vibrazioni, o a possibili urti;
 - in luoghi a temperatura superiore ai 45°C.
- Evitare che nell'unità penetrino liquidi infiammabili, acqua o oggetti metallici.
- Non smontare e non apportare modifiche all'unità.
- Tutti gli interventi devono essere sempre e solo effettuati da personale tecnico qualificato. Rivolgersi al più vicino centro di assistenza tecnica autorizzato.
- Se si desidera eliminare il dispositivo definitivamente, consegnarlo  per lo smaltimento ad un'istituzione locale per il riciclaggio.

Attenzioni e precauzioni per l'installazione

- Se il dispositivo dovesse trovarsi ad operare in condizioni differenti da quelle descritte nel presente manuale, potrebbero verificarsi dei danni; in tal caso la garanzia verrebbe a decadere. Inoltre, ogni altra operazione potrebbe provocare cortocircuiti, incendi, scosse elettriche, rotture etc.
- Prima di iniziare qualsiasi operazione di manutenzione o pulizia sull'unità togliere la tensione dalla rete di alimentazione.
- È assolutamente necessario proteggere l'unità per mezzo di una fune di sicurezza. Nell'eseguire qualsiasi intervento attenersi scrupolosamente a tutte le normative (in materia di sicurezza) vigenti nel paese di utilizzo.
- Mantenere i materiali infiammabili ad una distanza di sicurezza dall'unità.
- I filtri, le lenti o gli schermi ultravioletti se danneggiati possono limitare la loro efficienza.
- I LED devono essere sostituiti se danneggiati o termicamente deformati.
- Non guardare direttamente il fascio luminoso. Tenete presente che i veloci cambi di luce possono provocare attacchi d'epilessia presso persone fotosensibili o epilettiche.
- Non toccare l'alloggiamento del prodotto quando è in funzione perché potrebbe essere molto caldo.
- Questo prodotto è stato progettato e costruito esclusivamente per l'utilizzo indicato in questa documentazione. Qualsiasi altro utilizzo non espressamente indicato potrebbe pregiudicare la funzionalità del prodotto e/o rappresentare fonte di pericolo.
- Si declina qualsiasi responsabilità derivata dall'uso improprio del prodotto.

- 1 - INTRODUZIONE

1.1 DESCRIZIONE

MOSAICO è un potente proiettore LED di gobos, immagini e animazioni. La sua eccezionale fonte luminosa di 11'388 lumens permette di rimpiazzare la classe di illuminatori 1.200 HID con un apparecchio durevole, più avanzato ed IP66. Grazie alle molteplici funzionalità come ruota colori, frost, prisma e ruota animazioni diventa un proiettore versatile sia per eventi quotidiani che installazioni semi permanenti.

1.2 SPECIFICHE TECNICHE

SORGENTE LUMINOSA

- Sorgente: 250W LED bianco ad alta potenza
- CT: 7.300K
- CRI: 75
- Flusso luminoso: 11'388lm
- Lux: (10°) 14'028 lux - (45°) 1'253lx @5 m
- Durata media sorgente: >20.000 h
- Altro: TM-30-15RF/RG: 71/95 - TLCI: (10°) 47,6 - (45°) 49,2

OTTICA

- Zoom: 10° - 45° motorizzato, lineare
- Diametro: 109mm
- Tipo lente: gruppo ottico composto da lente in vetro HQ
- Focus: motorizzato

SISTEMA COLORE

- Miscelazione del colore: LED bianco freddo con color wheel
- Ruota colori: 14 filtri dicroici + aperti su due ruote indipendenti (7 + 7)

EFFETTI DINAMICI

- Ruota di animazione: ruota animazione indicizzabile con rotazione oraria e antioraria
- Gobos rotanti: 7 gobo rotanti + aperti, intercambiabili, indicizzabili
- Dimensioni gobos: outer: 26,9 mm - image: 23 mm - thickness: 1,1 mm
- Prisma circolare: 3f con rotazione bidirezionale, Indicizzabile
- Frost: 0 - 100%, Lineare
- Iris: 5 - 100% motorizzato lineare
- Caratteristiche speciali: record scenes and create chases and shows throughout these scenes

CORPO

- Corpo: struttura IP66 resistente alle intemperie
- Colore: cool gray 6C

CONTROLLO

- Protocolli: DMX512, RDM, W-DMX
- Canali DMX: 12 / 14 / 16channel
- W-DMX: integrato, ricevitore ad antenna (2.4 GHz) by Wireless Solution Sweden
- RDM: RDM ready per controllo e impostazioni remote della fixture

- Display: display touch black OLED
- Aggiornamento firmware: sì, con interfaccia USB - DMX (UPBOX1) non inclusa

ELETTRONICA

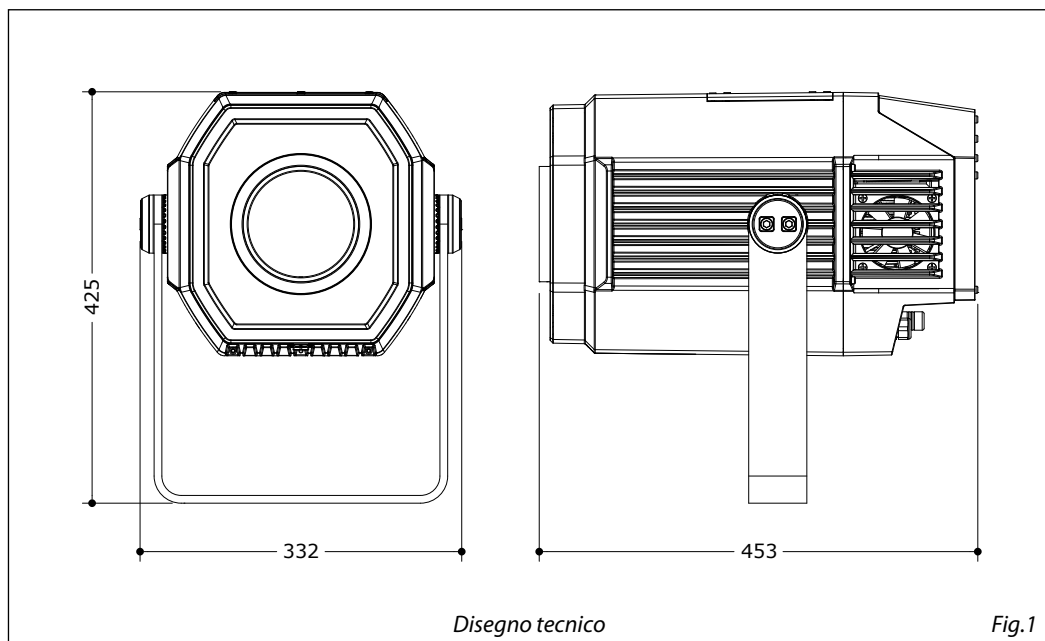
- Dimmer: 0 ~ 100% lineare, elettronico
- Curve dimmer: 4 curve dimmer regolabili
- Strobe / shutter: 1~30 Hz, elettronico
- Temperatura d'esercizio: -20° ~ +45°

ALIMENTAZIONE

- Alimentazione elettrica: 100-240 V – 50/60 Hz
- Potenza assorbita (a 230V): 316W
- Potenza assorbita (a 120V): 320W
- Output (a 230V): 11 unità connesse in serie
- Output (a 120V): 6 unità connesse in serie

CARATTERISTICHE FISICHE

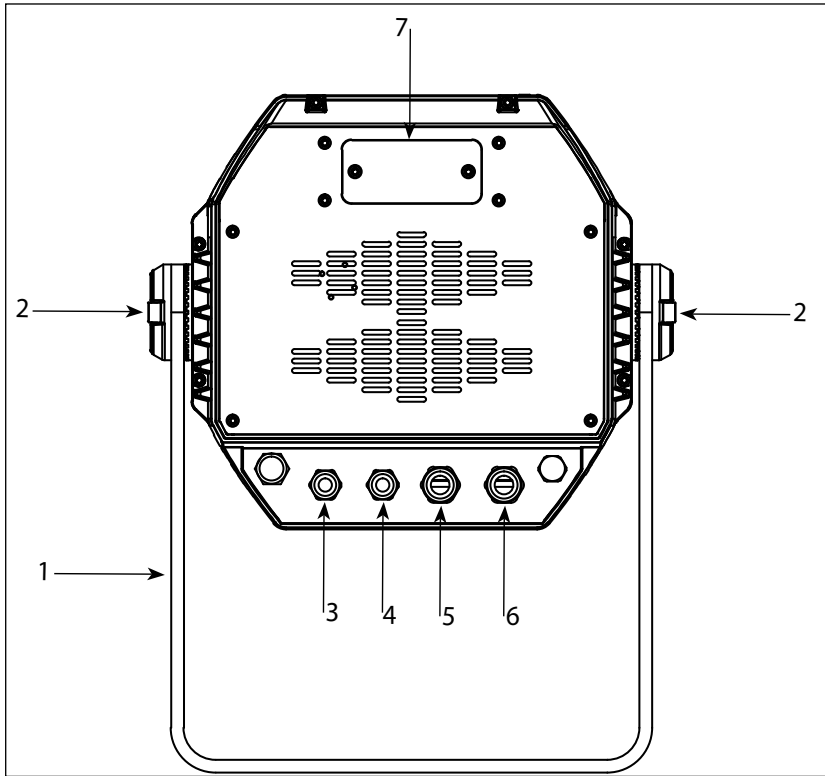
- Raffreddamento: aria filtrata forzata con ventole IP
- Sospensione e fissaggio: staffa per il fissaggio in sospensione e per il posizionamento del proiettore con qualsiasi orientamento
- Adattatori: adattatori 16A Shuko e XLR inclusi
- Connessione di segnale:
- Connessione dati: W-DMX receiver
- Connessione di alimentazione:
- Grado IP: 66 per installazioni outdoor
- Dimensioni (LxAxP): 332x425x453mm
- Peso: 19,3kg



Disegno tecnico

Fig.1

1.3 ELEMENTI DI COMANDO E COLLEGAMENTI



Pannello Posteriore

Fig.2

1. STAFFA DI MONTAGGIO
2. 2x SISTEMI A VITE A TESTA ESAGONALE per lato, per stringere la staffa
3. DMX IN (XLR a 5 poli): 1 = massa, 2 = DMX -, 3 = DMX +, 4 N/C, 5 N/C.
4. DMX OUT (XLR a 5 poli): 1 = massa, 2 = DMX -, 3 = DMX +, 4 N/C, 5 N/C.
5. POWER IN: per il collegamento ad una presa di rete (100-240V~/50-60Hz) tramite il cavo rete in dotazione.
6. POWER OUT: output alimentazione per connessione di più unità in serie.
7. PANNELLO DI CONTROLLO con display e 4 pulsanti per accesso e gestione delle diverse funzioni

- 2 - INSTALLAZIONE

2.1 MONTAGGIO

Il MOSAICO può essere collocato su un piano solido. Inoltre, grazie alle possibilità di fissaggio sulla doppia staffa (fig.3), l'unità può essere montata anche a testa in giù, su una traversa. Per il fissaggio occorrono dei supporti robusti per il montaggio. L'area di collocazione deve avere una stabilità sufficiente e supportare almeno 10 volte il peso dell'unità.

Inoltre assicurarsi di rispettare tutte le avvertenze in materia di sicurezza.

- Fissare il proiettore attraverso l'apposita staffa (1) ad una collocazione idonea.
- È assolutamente necessario assicurare il proiettore contro la caduta utilizzando un cavo di sicurezza: in particolare collegare il cavo in un punto adatto in modo che la caduta del proiettore non possa superare i 20 cm.
- Orientare il proiettore intervenendo, se necessario, sulla manopola della staffa di montaggio (2).

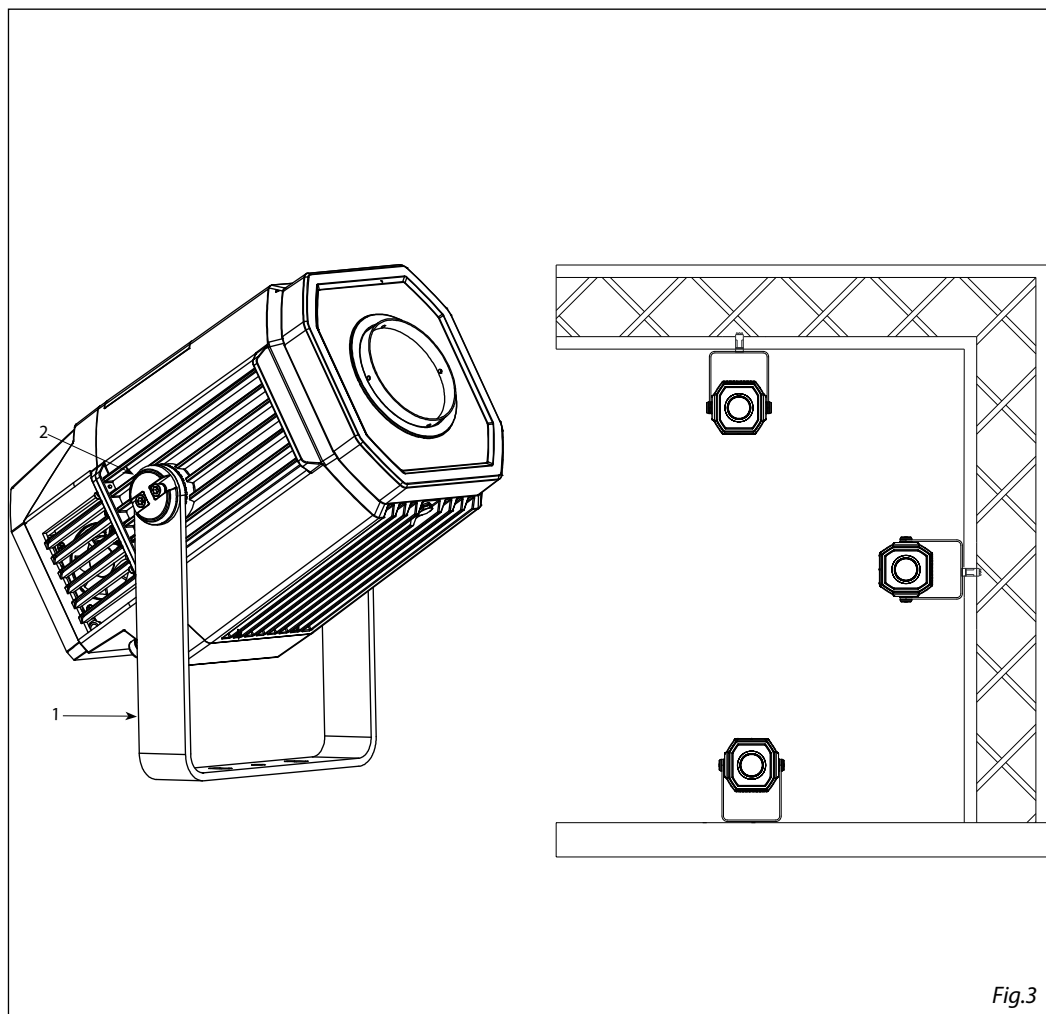
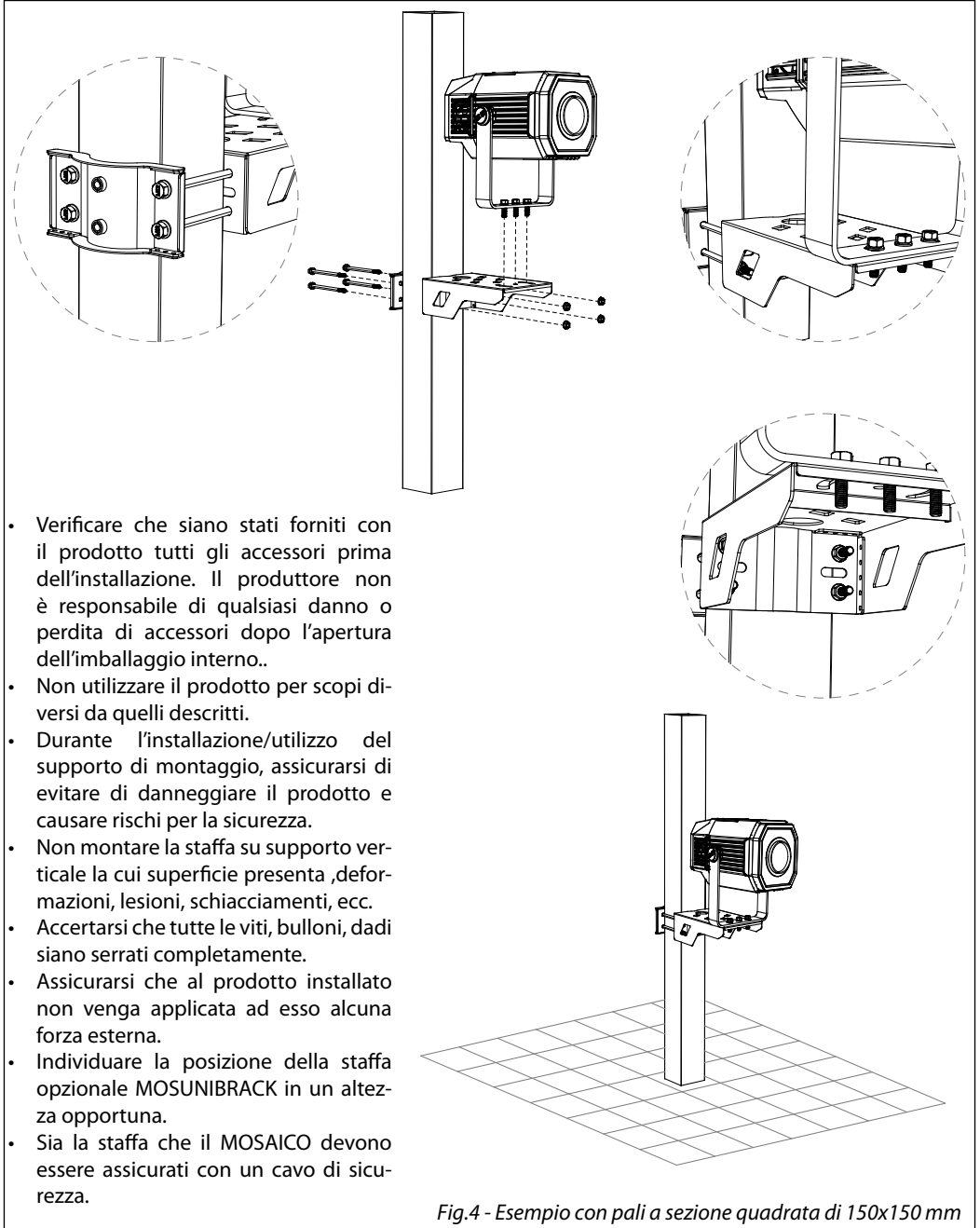


Fig.3

2.2 MOUNTING WITH OPTIONAL BRACKET

Staffa per MOSAICO per montaggio a parete e sospensione su pali di sezione quadrata da 50x50 mm a 150x150 mm o sezione circolare con diametro da 50 mm a 150 mm. N.B.: E' incluso nella confezione solo il kit di connessione MOSAICO - staffa (3 pcs viti M12, 3 pcs dadi).



- Verificare che siano stati forniti con il prodotto tutti gli accessori prima dell'installazione. Il produttore non è responsabile di qualsiasi danno o perdita di accessori dopo l'apertura dell'imballaggio interno..
- Non utilizzare il prodotto per scopi diversi da quelli descritti.
- Durante l'installazione/utilizzo del supporto di montaggio, assicurarsi di evitare di danneggiare il prodotto e causare rischi per la sicurezza.
- Non montare la staffa su supporto verticale la cui superficie presenta ,deformazioni, lesioni, schiacciamenti, ecc.
- Accertarsi che tutte le viti, bulloni, dadi siano serrati completamente.
- Assicurarsi che al prodotto installato non venga applicata ad esso alcuna forza esterna.
- Individuare la posizione della staffa opzionale MOSUNIBRACK in un'altezza opportuna.
- Sia la staffa che il MOSAICO devono essere assicurati con un cavo di sicurezza.

Fig.4 - Esempio con pali a sezione quadrata di 150x150 mm

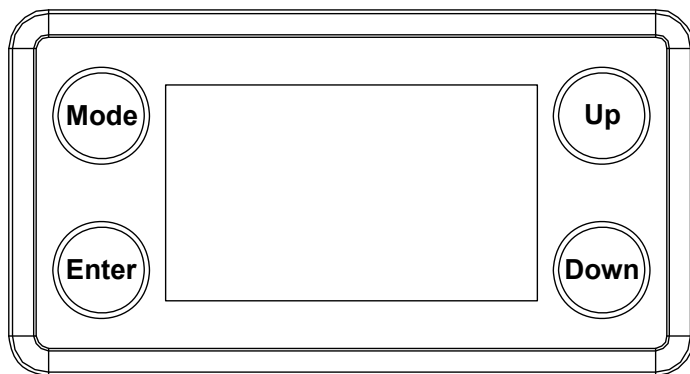
- 3 - FUNZIONI E IMPOSTAZIONI

3.1 FUNZIONAMENTO

Per accendere il MOSAICO, inserire la spina del cavo di alimentazione in una presa di rete (100-240V~/50-60Hz). L'unità può essere comandata da un unità DMX di comando luce oppure svolgere autonomamente il suo programma. Per spegnere il MOSAICO, staccare la spina dalla presa di rete. Per maggiore comodità è consigliabile collegare l'unità con una presa comandata da un interruttore.

3.2 IMPOSTAZIONE BASE

Il MOSAICO dispone di un LED display e 4 pulsanti per accesso alle funzioni del pannello di controllo (fig.4).



MENU	UP	DOWN	ENTER
Per scorrere il menu principale o tornare ad una opzione del menu precedente	Per scorrere attraverso le diverse funzioni in ordine discendente o aumentare il valore della funzione stessa	Per scorrere attraverso le diverse funzioni in ordine ascendente o diminuire il valore della funzione stessa	Per entrare nel menu selezionato o confermare il valore attuale della funzione o l'opzione all'interno di un menu

Fig.4 - Funzione dei tasti

3.3 STRUTTURA MENU

MENU	
1	CONNECT
	⇒ DMX Address ⇒ Value (1-512) Default: 1
	DMX Mode ⇒ 12 CH Default: 12CH 14 CH 16 CH
	Wireless Receive On/Off ⇒ On/Off Default: Off
	Receive Reset ⇒ Yes/No Default: No
	Wireless to DMX ⇒ Yes/No Default: No
2	SET UP
	⇒ Screen ⇒ Backlight ⇒ On Default: 10s 10s 20s 30s
	Flip Display ⇒ Yes/No Default: No
	Warn Cue ⇒ On/Off Default: On
	Key Lock ⇒ Yes/No Default: No
	Fixture ⇒ Fan mode ⇒ Auto/High Default: Auto
	Temperature unit ⇒ °C/°F Default: °C
	Auto Test ⇒ Auto Test
	Manual Test ⇒ Shutter Dimmer ⇒ Value (000-255) for each function Default: Dimmer=255 Color1 Color2 Gobo RGobo PrismRot Frost Focus Zoom Animation RAnimation Shutter = 255
	Reset ⇒ All ⇒ Yes/No
	Adjust (Password: 050) ⇒ Color1 Offset ⇒ Value (000-255) for each function Color2 Offset Gobo Offset RGobo Offset Prism Offset RPrism Offset Frost Offset Focus Offset Zoom Offset Animation Offset
	Factory Reload ⇒ Yes/No

4	INFORMATION	⇒	Fixture Time	⇒	0-9999		Default: 0	
			Temperature	⇒	** °C			
			Fans Speed	⇒	**%			
			Software Version	⇒	DISP: V1.0 CTR1:V1.0 CTR2:V1.0			
			UID	⇒	15D0*****			
			View					
5	STAND ALONE	⇒	Play	⇒	Off		Default: Off	
			Show	⇒	Show 1 Show 2 Show 3		Default: Show 1	
			Chase	⇒	Chase 1 ... Chase 8		Default: Chase 1	
			Scene	⇒	Scene 1 ... Scene 32		Default: Scene 1	
	Edit Show	⇒	Edit Show 1 Edit Show 2 Edit Show 3	⇒	Chase 1(On-Off) - Chase 8(On-Off) Chase 1(On-Off) - Chase 8(On-Off) Chase 1(On-Off) - Chase 8(On-Off)		Default: Off	
	Edit Chase	⇒	Edit Chase 1 Edit Chase 2 Edit Chase 3 Edit Chase 4 Edit Chase 5 Edit Chase 6 Edit Chase 7 Edit Chase 8	⇒	Step 1-16 Step 1-16 Step 1-16 Step 1-16 Step 1-16 Step 1-16 Step 1-16 Step 1-16	Off - Scenes1-32 Off - Scenes1-32 Off - Scenes1-32 Off - Scenes1-32 Off - Scenes1-32 Off - Scenes1-32 Off - Scenes1-32 Off - Scenes1-32	Default: Off	
	Edit Scenes	⇒	Edit Scenes 01 Edit Scenes 02 Edit Scenes 03 Edit Scenes 30 Edit Scenes 31 Edit Scenes 32	⇒	New/Edit Scene	⇒	Shutte/Dimmer/ Color1/Color2/ Gobo... Shutte/Dimmer/ Color1/Color2/ Gobo... Shutte/Dimmer/ Color1/Color2/ Gobo... ... Shutte/Dimmer/ Color1/Color2/ Gobo... Shutte/Dimmer/ Color1/Color2/ Gobo... Shutte/Dimmer/ Color1/Color2/ Gobo... ... Shutte/Dimmer/ Color1/Color2/ Gobo... Shutte/Dimmer/ Color1/Color2/ Gobo...	Default: Dimmer: 255 Shutter: 255 Focus: 128 Zoom: 128 All others at 0
			Copy Scene	⇒	Off Scenes 01 Scenes 02 Scenes 03 ... Scenes 30 Scenes 31 Scenes 32			

Scenes Record	⇒	Scenes 01 Scenes 02 Scenes 03 Scenes 30 Scenes 31 Scenes 32	⇒	*	DMX - Scenes Record	
Slave setup	⇒	Edit Scenes 01 Edit Scenes 02 Edit Scenes 30 Edit Scenes 32	⇒	RGobo/ Focus/Zoom/RShutter RGobo/ Focus/Zoom/RShutter RGobo/ Focus/Zoom/RShutter RGobo/ Focus/Zoom/RShutter RGobo/ Focus/Zoom/RShutter RGobo/ Focus/Zoom/RShutter		Default: RGobo: 0 Focus: 128 Zoom: 128 RShutter:0
Scenes Time	⇒	Scene 01 Time Scene 02 Time Scene 03 Time Scene 30 Time Scene 31 Time Scene 32 Time	⇒	Fade in Time Hold Time Fade Out Time	⇒	0000.0 - 3600.0 Default: 0000:0s 0001:0s 0000:0s
Chase Time	⇒	Chase 1 Time Chase 2 Time Chase 3 Time Chase 4 Time Chase 5 Time Chase 6 Time Chase 7 Time Chase 8 Time	⇒	0000.0 - 3600.0		Default: 0001.0s
Move blackout	⇒	Scene 01 Scene 02 Scene 03 Scene 30 Scene 31 Scene 32	⇒	Off-On		Default: No

3.4 COLLEGAMENTO

Si possono collegare più unità affinché tutte le unità secondarie abbiano lo stesso effetto luce dell'unità principale (Master).

1. Collegare l'uscita DMX OUT dell'unità principale con l'ingresso DMX IN della prima unità secondaria servendosi di un cavo XLR a 5 poli.
2. Collegare l'uscita DMX OUT della prima unità secondaria con l'ingresso DMX IN della seconda unità secondaria ecc.

3.5 INDIRIZZO DMX

Per entrare nella modalità DMX procedere nel seguente modo:

- Premere il tasto MENU per accedere al menu principale.
- Premere il tasto UP/DOWN per scorrere nel menu, selezionare **Connect**, quindi premere il tasto ENTER per accedere al menu successivo.
- Premere il tasto UP/DOWN per scorrere nel menu, selezionare **DMX Address**, quindi premere il tasto ENTER.
- Impostare con i tasti direzionali il valore desiderato (**001 ~ 512**).
- Premere il tasto ENTER per confermare.
- Premere il tasto MENU più volte per uscire dal menu e per salvare le modifiche apportate.

Per poter comandare il MOSAICO con un'unità di comando luce, occorre impostare l'indirizzo di start DMX per il primo canale DMX. Se, per esempio, sull'unità di comando è previsto l'indirizzo 33 per comandare la funzione del primo canale DMX, si deve impostare sul MOSAICO l'indirizzo di start 33. Le altre funzioni del pannello saranno assegnate automaticamente agli indirizzi successivi. Un esempio con indirizzo 33 di start in fig.5.

3.6 MODALITA' DMX

MOSAICO ha 3 configurazioni di canali DMX a cui è possibile accedere dal pannello di controllo.

- Premere il tasto MENU per accedere al menu principale.
- Premere il pulsante UP/DOWN per scorrere il menu, selezionare **Connect**, poi premere il pulsante ENTER per accedere al menu successivo.
- Premere il pulsante UP/DOWN per scorrere il menu, selezionare **DMX Mode** e premere il pulsante ENTER per accedere al menu successivo.
- Utilizzare il pulsante UP/DOWN per selezionare la configurazione del canale DMX desiderata (**12 CH, 14 CH, 16 CH**), quindi premere il pulsante ENTER per confermare la scelta.
- Premere ripetutamente il pulsante MENU per uscire dal menu e salvare le modifiche.

NOTA: la modalità a **16 CH** registra ed edita le scene direttamente da DMX.

3.7 WIRELESS

- Per entrare nella modalità **Wireless** procedere premere il tasto MENU fino a quando il display mostra **Connect**, dopodiché selezionare **Wireless**, quindi premere il tasto ENTER.
- Per attivare la funzione **Receive**, utilizzare i pulsanti UP/DOWN e selezionare l'opzione **On**.
- Premere il pulsante ENTER per confermare la selezione.
- Premere il pulsante MENU per tornare indietro o attendere alcuni secondi per uscire dal menu di configurazione.

NOTA: una volta eseguiti questi passaggi, è necessario sincronizzarsi con qualsiasi unità WiFi con la quale si vuol comunicare premendo il pulsante di sincronizzazione su di esso. A questo punto collegare la console DMX all'Unità WiFi per aprire la comunicazione col MOSAICO.

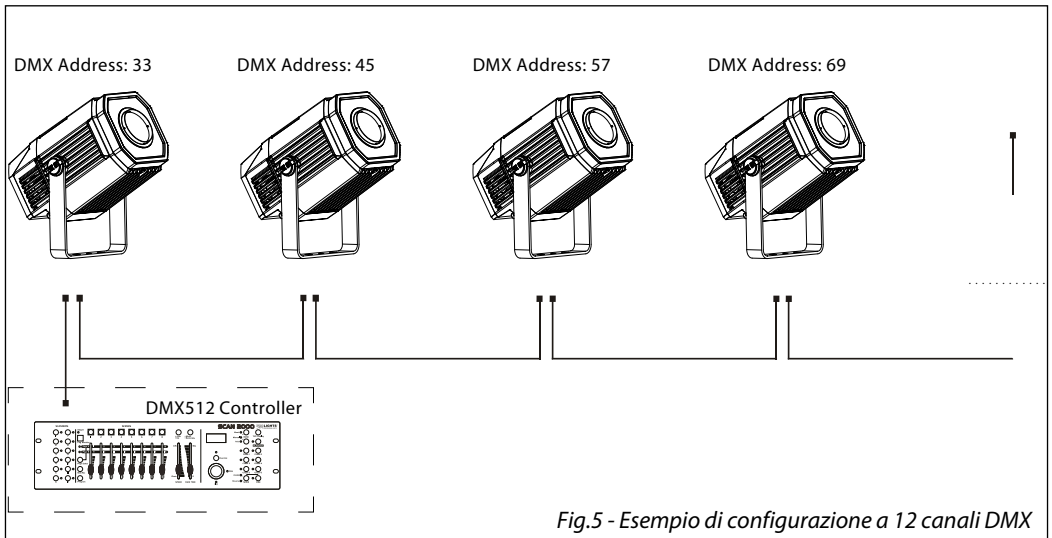
- Per ripristinare l'unità, selezionare **Receive Reset** utilizzando i pulsanti UP/DOWN, premere il pulsante MENU fino a quando sul display non viene visualizzato **Connect**, quindi selezionare **Receive Reset** utilizzan-

do i pulsanti UP/DOWN, quindi premere il pulsante ENTER.

- Per attivare la modalità utilizzare i tasti UP/DOWN e selezionare l'opzione **Yes**.
- Premere il pulsante ENTER per confermare la selezione.
- Premere il pulsante MENU per tornare indietro o attendere alcuni secondi per uscire dal menu di configurazione.
- Per attivare la funzione **Wireless to DMX**, utilizzare i pulsanti UP/DOWN per premere il pulsante MENU fino a quando il display mostra **Connect**, quindi selezionare **Wireless to DMX**, quindi premere il tasto ENTER.
- Per attivare la modalità utilizzare i pulsanti UP/DOWN e selezionare l'opzione **Yes**.
- Premere il pulsante ENTER per confermare la selezione.

Premere ripetutamente il tasto MENU per uscire dal menu e salvare le modifiche apportate.

Numero canali DMX	Indirizzo di start (esempio)	Indirizzo DMX occupati	Prossimo indirizzo di start possibile per unità n°1	Prossimo indirizzo di start possibile per unità n°2	Prossimo indirizzo di start possibile per unità n°3
12	33	33-44	45	57	69
14	33	33-46	47	61	75
16	33	33-48	49	65	81



3.8 SCREEN

È possibile modificare i seguenti parametri, relativi al display, seguendo la medesima procedura:

- Premere il tasto ENTER per accedere al menu principale.
- Premere il tasto UP/DOWN per scorrere nel menu, selezionare **Set Up**, quindi premere il tasto ENTER per accedere al menu successivo.
- Premere il tasto UP/DOWN per selezionare **Screen** e premere il tasto ENTER per procedere.
- Selezionare l'opzione proposta con il tasto UP/DOWN e premere il tasto ENTER per confermare.
 - **Backlight** - Retroilluminazione display. Questa funzione permette di spegnere automaticamente la retroilluminazione del display dopo un determinato tempo che può essere impostato tramite i tasti direzionali. Per avere il display sempre acceso seleziona **On** oppure impostare un valore tra quelli indicati per far spegnere il display una volta trascorso il tempo scelto, dopo l'uscita dal menu.
 - **Flip Display** - Orientamento del display. Questa funzione permette di ruotare il display di 180° per ottenere una migliore visualizzazione del display quando l'unità è appesa a testa in giù. Selezionare

Yes per attivare la funzione oppure **No** per disattivarla.

- **Warm Cue** - Avviso di errore. Utilizzare i tasti UP/DOWN per selezionare **Off** o **On** a seconda che il display mostri o meno avvisi di errore.
- **Key lock** - Blocco tasti. Con questa funzione è possibile bloccare i tasti del pannello di controllo, per evitare, ad esempio, manomissioni delle impostazioni. Se questa funzione viene attivata, i tasti vengono bloccati automaticamente. Per disattivare o temporaneamente o disattivare la funzione di blocco tasti, premere i tasti nel seguente ordine per riottenere l'accesso ai comandi di menu: UP, DOWN, UP, DOWN, ENTER. Selezionare **Yes** per attivare la funzione oppure **No** per disattivarla.
- Premere il tasto ENTER per confermare la scelta.
- Premere il tasto MENU più volte per uscire dal menu e per salvare le modifiche apportate.

3.9 IMPOSTAZIONI DEL DISPOSITIVO

Puoi modificare i parametri per il dispositivo seguendo questi passaggi:

- Premere il tasto MENU per accedere alla modalità menu.
- Utilizzare i pulsanti UP/DOWN per selezionare **Set Up**. Premere il pulsante ENTER per confermare.
- Utilizzare i pulsanti UP/DOWN per selezionare **Fixture**. Premere il pulsante ENTER per confermare.
- Premere i pulsanti UP/DOWN per selezionare l'opzione desiderata e premere il pulsante ENTER per confermare:
 - **Fan Mode** - Velocità ventole. Selezionare la velocità della ventola desiderata **Auto**, **High** tramite il pulsante UP/DOWN.
 - **Temperature unit** - Selezionare la funzione **Temperature unit**, quindi selezionare l'unità di misura **Celsius** / **Fahrenheit**, quindi premere il tasto ENTER per confermare la selezione.
- Premere ripetutamente il tasto MENU per tornare alla modalità menu.

3.10 AUTO TEST

Permettere il controllo del corretto funzionamento dell'unità. Avvia il test automatico nel modo seguente:

- Premere il tasto MENU per accedere alla modalità menu.
- Utilizzare i pulsanti UP/DOWN per selezionare **Set Up**. Premere il pulsante ENTER per confermare.
- Premere i pulsanti UP / DOWN per selezionare **Auto Test** e premere ENTER per confermare.
- Per confermare e avviare il test automatico, premere il pulsante MENU.

3.11 MANUAL TEST

Permette di effettuare regolazioni sugli effetti attraverso il pannello dei comandi per ottenere un perfetto equilibrio tra i proiettori.

- Premere il tasto MENU per accedere alla modalità menu.
- Premere i pulsanti UP/DOWN per selezionare **Set Up**. Quindi premere il tasto ENTER.
- Premere i pulsanti UP/DOWN per selezionare il test manuale. Quindi premere il tasto ENTER.
- Selezionare l'effetto che si desidera modificare (**Shutter**, **Dimmer**, **Color1**, **Color2**, **Gobo**, **RGobo**, **PrismRot**, **Frost**, **Focus**, **Zoom**, **Animation**, **RAnimation**). Quindi premere il pulsante ENTER per confermare.
- Utilizzare i tasti direzionali per calibrare l'effetto impostando un valore compreso tra **0** ~ **255**. Quindi premere il pulsante ENTER per confermare.
- Premere ripetutamente il tasto MENU per tornare alla modalità menu.

3.12 ADVANCED

- È possibile modificare i seguenti parametri seguendo la stessa procedura:
- Premere il tasto MENU per accedere al menu principale.

- Premere il pulsante UP/DOWN per scorrere il menu, selezionare **Advanced**, quindi premere il pulsante ENTER per accedere al menu successivo.
- Premere il pulsante UP/DOWN per selezionare uno dei seguenti parametri:
 - **Reset** - Per avviare un programma preimpostato per ripristinare la funzione selezionata (**All, Color 1, Color 2, Gobo, Prism, Frost, Focus, Zoom, Animation**).
 - **Adjust** - Per consente di modificare tutti i parametri. Inserire la password "050" per accedere. Selezionare la funzione desiderata (**Color1 Offset, Color2 Offset, Gobo Offset, RGobo Offset, Prism Offset, RPrism Offset, Frost Offset, Focus Offset, Zoom Offset, Animation Offset**) e scegliere il valore (0 ~ 255).
 - **Factory Reload** - Per ripristinare l'unità. Selezionare **Yes** o **No** e selezionare ENTER per confermare.
- Premere il pulsante ENTER per confermare la selezione e attendere che la funzione selezionata sia ripristinata.
- Premere ripetutamente il pulsante MENU per uscire dal menu e salvare le modifiche apportate..

3.13 INFORMAZIONI SUL DISPOSITIVO

- Per visualizzare tutte le informazioni sul dispositivo, procedere come segue:
- Premere il tasto MENU per accedere al menu principale. Premere il tasto UP/DOWN per selezionare **Information**, quindi premere il tasto ENTER per accedere al menu successivo.
- Premere il pulsante UP/DOWN per scorrere il menu, quindi selezionare una delle seguenti informazioni e premere il pulsante ENTER per visualizzarla.
 - **Fixture Time** - Per visualizzare il tempo di funzionamento del proiettore.
 - **Temperature** - Per visualizzare la temperatura del dispositivo in °C / °F sul display.
 - **Fans Speed** - Per visualizzare sul display la velocità della ventola presente vicino alla lampada.
 - **Software Version** - Attraverso questa funzione è possibile visualizzare sul display la versione del software installata.
 - **UID** - Per visualizzare l'ID di identificazione per il controllo RDM.
- Premere ripetutamente il pulsante MENU per uscire dal menu e salvare le modifiche apportate.

3.14 OPERAZIONI IN MODALITÀ AUTOMATICA

Play Show

La funzione **Play** permette di creare show automatici preprogrammati.

I programmi automatici **Showh, Chase, Scene**. Ogni programma è suddiviso che possono essere configurati attraverso la seguente procedura:

- Premere il tasto ENTER per accedere al menu principale.
- Premere il tasto UP/DOWN per scorrere nel menu, selezionare **Stand Alone**, quindi premere il tasto ENTER per accedere al menu successivo.
- Premere il tasto UP/DOWN per selezionare **Play** e premere il tasto ENTER per accedere al menu successivo.
- Premere il tasto UP/DOWN per selezionare **Show** e premere il tasto ENTER per accedere al menu successivo.
- Premere il tasto UP/DOWN per selezionare **Show 1, Show 2, Show 3**, quindi premere il tasto ENTER per confermare.
- Premere il tasto MENU più volte per uscire dal menu e per salvare le modifiche apportate.

Play Chase

La funzione **Chase** permette di scegliere il programma automatico da mandare in esecuzione.

- Premere il tasto ENTER per accedere al menu principale.
- Premere il tasto UP/DOWN per scorrere nel menu, selezionare **Stand Alone**, quindi premere il tasto ENTER

per accedere al menu successivo.

- Premere il tasto UP/DOWN per selezionare **Play** e premere il tasto ENTER per accedere al menu successivo.
- Premere il tasto UP/DOWN per selezionare **Chase** e premere il tasto ENTER per accedere al menu successivo.
- Premere il tasto UP/DOWN per selezionare **Chase 1 ~ Chase 8** e premere il tasto ENTER per confermare la scelta.
- Premere il tasto MENU più volte per uscire dal menu e per salvare le modifiche apportate.

Play Scenes

La funzione **Scenes** permette di scegliere il programma automatico da mandare in esecuzione.

- Premere il tasto ENTER per accedere al menu principale.
- Premere il tasto UP/DOWN per scorrere nel menu, selezionare **Stand Alone**, quindi premere il tasto ENTER per accedere al menu successivo.
- Premere il tasto UP/DOWN per selezionare **Play** e premere il tasto ENTER per accedere al menu successivo.
- Premere il tasto UP/DOWN per selezionare **Scenes** e premere il tasto ENTER per accedere al menu successivo.
- Premere il tasto UP/DOWN per selezionare **Scene 1 ~ Scene 32** e premere il tasto ENTER per confermare la scelta.
- Premere il tasto MENU più volte per uscire dal menu e per salvare le modifiche apportate.

Edit Show

La funzione **Edit Show** permette di scegliere il programma automatico da mandare in esecuzione.

- Premere il tasto ENTER per accedere al menu principale.
- Premere il tasto UP/DOWN per scorrere nel menu, selezionare **Stand Alone**, quindi premere il tasto ENTER per accedere al menu successivo.
- Premere il tasto UP/DOWN per selezionare **Edit Show** e premere il tasto ENTER per accedere al menu successivo.
- Premere il tasto UP/DOWN per selezionare **Show 1/Show 2/Show 3** e premere il tasto ENTER per confermare la scelta.
- Premere il tasto UP/DOWN per selezionare il **Chase1 ~ Chase8** preferito, quindi premere il tasto ENTER.
- Premere il tasto MENU più volte per uscire dal menu e per salvare le modifiche apportate.

Edit Chase

La funzione **Edit Chases** permette di creare show automatici preprogrammati.

I programmi automatici **Chase** sono suddivisi ognuno in **Chase1 ~ Chase8**. Ogni Chase può essere composto da **1 ~ 16 step** che possono essere configurati attraverso la seguente procedura:

- Premere il tasto ENTER per accedere al menu principale.
- Premere il tasto UP/DOWN per scorrere nel menu, selezionare **Stand Alone**, quindi premere il tasto ENTER per accedere al menu successivo.
- Premere il tasto UP/DOWN per selezionare **Edit Chases** e premere il tasto ENTER per accedere al menu successivo.
- Premere il tasto UP/DOWN per selezionare **Chase 1 ~ Chase 8**, quindi premere il tasto ENTER per confermare.
- Premere il tasto UP/DOWN per selezionare lo **Step 01 ~ Step 16** desiderato, quindi premere il tasto ENTER.
- Premere il tasto UP/DOWN per selezionare la **Scenes1 ~ 32** desiderata da impostare per lo Step scelto,

quindi premere ENTER per confermare.

- Premere il tasto MENU più volte per uscire dal menu e per salvare le modifiche apportate.

Edit Scenes

La funzione **Edit Scenes** permette di creare scene individuali da includere negli Step delle Chase.

- Premere il tasto ENTER per accedere al menu principale.
- Premere il tasto UP/DOWN per scorrere nel menu, selezionare **Stand Alone**, quindi premere il tasto ENTER per accedere al menu successivo.
- Premere il tasto UP/DOWN per selezionare **Edit Scenes** e premere il tasto ENTER per accedere al menu successivo.
- Premere il tasto UP/DOWN per selezionare **Edit Scene 1 ~ Edit Scene 32**, quindi premere il tasto ENTER.
- Dopodiché selezionare la funzione desiderata: **New / Edit Scene o Copy Scene**.
- Premere il tasto UP/DOWN per selezionare la funzione desiderata che si vuole modificare (**Control, Dimmer, ecc.**), quindi premere il tasto ENTER.
- Premere il tasto UP/DOWN per modificare il valore della funzione, quindi premere il tasto ENTER per confermare.
- Premere il tasto MENU più volte per uscire dal menu e per salvare le modifiche apportate.

Scenes Record

La funzione **Scenes Record** permette la registrazione delle scene del MOSAICO tramite la console su cui è stata memorizzata la fixture in Scene Record, in grado di pilotare le funzioni del faro espresse in DMX.

- Premere il tasto ENTER per accedere al menu principale.
- Premere il tasto UP/DOWN per scorrere nel menu, selezionare **Stand Alone**, quindi premere il tasto ENTER per accedere al menu successivo.
- Premere il tasto UP/DOWN per selezionare **Scenes Record** e premere il tasto ENTER per accedere al menu successivo.
- Premere il tasto UP/DOWN per selezionare la scena da inserire nel programma automatico, quindi premere il tasto ENTER per confermare. Dopo aver premuto il tasto ENTER, MOSAICO aspetterà la conferma.
- Dalla console DMX cambia i parametri del MOSAICO in base alla scena da creare.
- Dopo la creazione della scena, premere ENTER sul MOSAICO (apparirà la scritta STORED).
- Premere il tasto MENU più volte per uscire dal menu e per salvare le modifiche apportate.

Slave Setup

La funzione **Slave Setup** permette di eseguire il programma automatico impostato nella macchina MASTER da mandare in esecuzione.

- Premere il tasto ENTER per accedere al menu principale.
- Premere il tasto UP/DOWN per scorrere nel menu, selezionare **Stand Alone**, quindi premere il tasto ENTER per accedere al menu successivo.
- Premere il tasto UP/DOWN per selezionare **Slave Set up** e premere il tasto ENTER per accedere al menu successivo.
- Premere il tasto UP/DOWN per selezionare **Edit Scene 001 ~ Edit Scene 32**, (preprogrammati sul master) quindi premere il tasto ENTER.
- Premere il tasto UP/DOWN per selezionare la funzione desiderata che si vuole modificare (**RGobo, Focus, Zoom**), quindi premere il tasto ENTER.
- Premere il tasto UP/DOWN per modificare il valore della funzione, quindi premere il tasto ENTER per confermare.
- Premere il tasto MENU più volte per uscire dal menu e per salvare le modifiche apportate.

NOTA: se le unità Slave devono fare la stessa operazione del MASTER, durante una registrazione, non verranno memorizzati i valori di **Focus**, **Zoom** e **RGobo**. Questi valori devono essere regolati manualmente sulle unità Slave, tramite questa sezione.

Scenes Time

La funzione **Scenes Time** permette di impostare i tempi di ingresso, durata e uscita di ogni singola scena.

- Premere il tasto ENTER per accedere al menu principale.
- Premere il tasto UP/DOWN per scorrere nel menu, selezionare **Stand Alone**, quindi premere il tasto ENTER per accedere al menu successivo.
- Premere il tasto UP/DOWN per selezionare **Scenes Time** e premere il tasto ENTER per accedere al menu successivo.
- Premere il tasto UP/DOWN per selezionare **Scene 01 Time ~ Scene 32 Time**, quindi premere il tasto ENTER.
- Premere il tasto UP/DOWN per modificare i seguenti tempi, quindi premere il tasto ENTER per confermare:
 - **Fade in Time** - tempo di ingresso della scena.
 - **Hold Time** - tempo di durata della scena.
 - **Fade Out Time** - tempo di uscita della scena.
- Premere il tasto MENU più volte per uscire dal menu e per salvare le modifiche apportate.

Move blackout

La funzione **Move Blackout** permette di non visualizzare lo scroll tra una scena e l'altra; qualsiasi tipo di cambiamento tra una scena e la successiva avviene "al buio".

- Premere il tasto ENTER per accedere al menu principale.
- Premere il tasto UP/DOWN per scorrere nel menu, selezionare **Stand Alone**, quindi premere il tasto ENTER per accedere al menu successivo.
- Premere il tasto UP/DOWN per selezionare **Move Blackout** e premere il tasto ENTER per accedere al menu successivo.
- Premere il tasto UP/DOWN per selezionare **On** o **Off** quindi premere il tasto ENTER.
- Premere il tasto MENU più volte per uscire dal menu e per salvare le modifiche apportate.

Quando il proiettore si trova in **Stand Alone** risulta essere MASTER, così come se si entra o si connette il proiettore al DMX. Quando si esce dal menu oppure si stacca la connessione DMX, il proiettore ricomincia l'esecuzione dello show dall'ultima scena interrotta da queste due azioni.

3.15 CANALI DMX

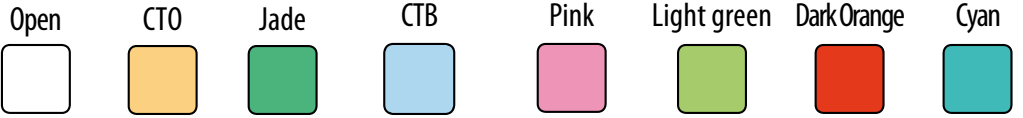
12 CH	14 CH	16 CH	SCENES RECORD	FUNCTION	DMX Value
1	1	1	1	SHUTTER Shutter closed No function (shutter open) Strobe effect slow to fast No function (shutter open) Pulse-effect in sequences No function (shutter open) Random strobe effect slow to fast No function (shutter open)	000 - 031 032 - 063 064 - 095 096 - 127 128 - 159 160 - 191 192 - 223 224 - 255
2	2	2	2	DIMMER Dimmer (close to open)	000 - 255
3	3	3	3	COLOR WHEEL 1 Indexed Open Open+DARK RED DARK RED DARK RED + DARK BLUE DARK BLUE DARK BLUE + YELLOW YELLOW YELLOW + GREEN GREEN GREEN + LIGHT ORANGE LIGHT ORANGE LIGHT ORANGE + MAGENTA MAGENTA MAGENTA + UV UV UV+Open Forward Spin Fast to slow Stop Rotation Stop Reverse Spin Slow to fast Continuous Positioning from 1 to 15	000 - 003 004 - 007 008 - 011 012 - 015 016 - 019 020 - 023 024 - 027 028 - 031 032 - 035 036 - 039 040 - 043 044 - 047 048 - 051 052 - 055 056 - 059 060 - 063 064 - 094 095 - 096 097 - 127 128 - 255
4	4	4	4	COLOR WHEEL 2 Indexed Open Open+CTO CTO CTO + JADE JADE JADE + CTB CTB CTB + PINK PINK	000 - 003 004 - 007 008 - 011 012 - 015 016 - 019 020 - 023 024 - 027 028 - 031 032 - 035

12 CH	14 CH	16 CH	SCENES RECORD	FUNCTION	DMX Value
4	4	4	4	PINK + LIGHT GREEN LIGHT GREEN LIGHT GREEN + DARK ORANGE DARK ORANGE DARK ORANGE + CYAN CYAN CYAN+Open Forward Spin Fast to slow Stop Rotation Stop Reverse Spin Slow to fast Continuous Positioning from OPEN to CYAN	036 - 039 040 - 043 044 - 047 048 - 051 052 - 055 056 - 059 060 - 063 064 - 094 095 - 096 097 - 127 128 - 255
5	5	5	5	ROTATING GOBO WHEEL Open Position 1 Position 2 Position 3 Position 4 Position 5 Position 6 Position 7 Position 1 Shaking slow to fast Position 2 Shaking slow to fast Position 3 Shaking slow to fast Position 4 Shaking slow to fast Position 5 Shaking slow to fast Position 6 Shaking slow to fast Position 7 Shaking slow to fast Fast to Slow(Forward Spin) Stop (Stop Rotation) Slow to Fast(Revers Spin)	000 - 005 006 - 010 011 - 015 016 - 020 021 - 025 026 - 030 031 - 035 036 - 040 041 - 055 056 - 070 071 - 085 086 - 100 101 - 115 116 - 130 131 - 145 146 - 199 200 - 201 202 - 255
6	6	6	6	ROTATING GOBO Positioning from 0-360 degrees (Indexing) Fast to Slow Stop Slow to Fast	000 - 191 192 - 221 222 - 225 226 - 255
7		7	7	PRISM ROT Prism Off Index Fast to Slow Stop Slow to Fast	000 - 000 001 - 127 128 - 189 190 - 193 194 - 255
	7			PRISM Prism Off Indexed Rotation	000 - 020 021 - 127 128 - 255
	8			PRISM Indexed Fast to Slow Stop Slow to Fast	000 - 255 000 - 127 128 129 - 255

12 CH	14 CH	16 CH	SCENES RECORD	FUNCTION	DMX Value
8	9	8	8	FROST 0% to 100%	000 - 255
9	10	9	9	FOCUS	000 - 255
10	11	10	10	ZOOM	000 - 255
11				ANIMATION WHEEL Open/No Function Forward stop to fastest Stop Reverse stop to fastest	000 - 003 004 - 127 128 - 131 132 - 255
	12	11	11	ANIMATION Effect Off Linear insertion	000 - 007 008 - 255
	13	12	12	ANIMATION ROTATION Positioning 0°~360° Slowest to fastest(Forward Spin) Stop Fastest to Slowest(Reverse Spin)	000 - 191 192 - 221 222 - 225 226 - 255
12	14			CONTROL No function Enable blackout while color change Disable blackout while color change Enable blackout while gobo change Disable blackout while gobo change Color1 Reset (Hold 3 Second) Color2 Reset (Hold 3 Second) Gobo1 Reset (Hold 3 Second) Prism Reset (Hold 3 Second) Focus Reset (Hold 3 Second) Zoom Reset (Hold 3 Second) Frost Reset (Hold 3 Second) Effect Reset (Hold 3 Second) No function Reset all (Hold 3 Second) No function	000 - 059 060 - 069 070 - 079 080 - 089 090 - 099 100 - 109 110 - 119 120 - 129 130 - 139 140 - 149 150 - 159 160 - 169 170 - 179 180 - 199 200 - 209 210 - 255
		13		SHOW No Function Show 1 Show 2 Show 3	000 - 063 064 - 127 128 - 191 192 - 255
		14		CHASE No Function Chase 1 Chase 2 Chase 3 Chase 4 Chase 5 Chase 6 Chase 7 Chase 8	000 - 028 029 - 056 057 - 085 086 - 113 114 - 141 142 - 170 171 - 198 199 - 226 227 - 255

12 CH	14 CH	16 CH	SCENES RECORD	FUNCTION	DMX Value
		15		SCENE No Function Scene 1 Scene 2 Scene 3 Scene 4 Scene 5 Scene 6 Scene 7 Scene 8 Scene 9 Scene 10 Scene 11 Scene 12 Scene 13 Scene 14 Scene 15 Scene 16 Scene 17 Scene 18 Scene 19 Scene 20 Scene 21 Scene 22 Scene 23 Scene 24 Scene 25 Scene 26 Scene 27 Scene 28 Scene 29 Scene 30 Scene 31 Scene 32	000 - 007 008 - 015 016 - 023 024 - 030 031 - 038 039 - 046 047 - 054 055 - 061 062 - 069 070 - 077 078 - 085 086 - 092 093 - 100 101 - 108 109 - 115 116 - 123 124 - 131 132 - 139 140 - 146 147 - 154 155 - 162 163 - 170 171 - 177 178 - 185 186 - 193 194 - 200 201 - 208 209 - 216 217 - 224 225 - 231 232 - 239 240 - 247 248 - 255
		16		SCENE RECORD No Function Edit Scene Mode Edit Scene Mode (Hold 3S and Save)	000 - 010 011 - 128 129 - 255

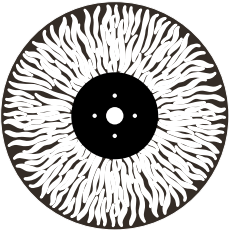
3.16 COLOR



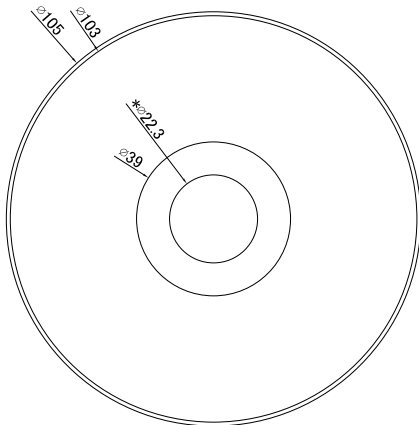
ROTATING GOBOS



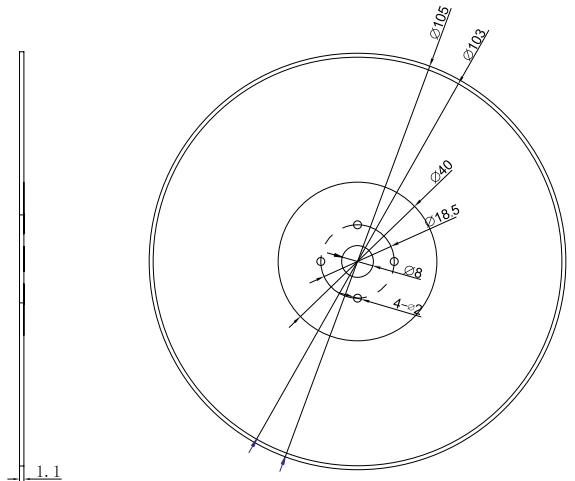
ANIMATION WHEEL



Glass



Metal



3.17 COLLEGAMENTI DELLA LINEA DMX

La connessione DMX è realizzata con connettori standard XLR. Utilizzare cavi schermati, 2 poli ritorti, con impedenza 120Ω e bassa capacità.

Per il collegamento fare riferimento allo schema di connessione riportato di seguito:



ATTENZIONE

La parte schermata del cavo (calza) non deve mai essere collegata alla terra dell'impianto; ciò comporterebbe malfunzionamenti delle unità e dei controller.

Per passaggi lunghi può essere necessario l'inserimento di un amplificatore DMX.

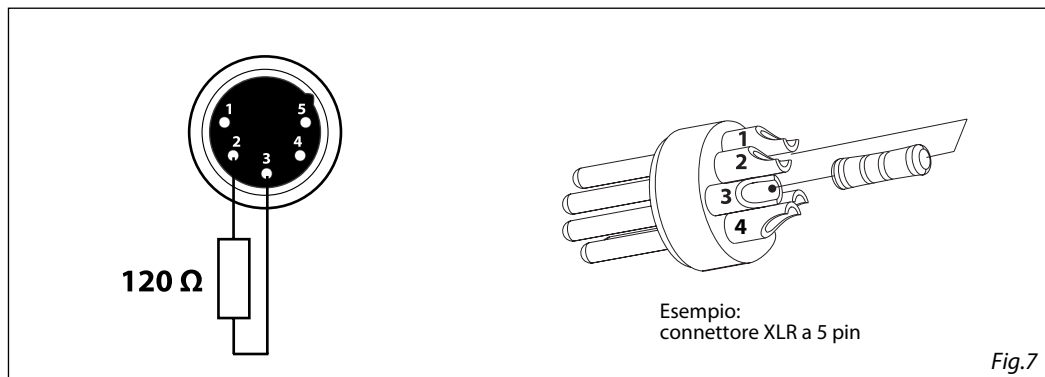
In tal caso, è sconsigliato utilizzare nei collegamenti cavo bilanciato microfonico poiché non è in grado di trasmettere in modo affidabile i dati di controllo DMX.

- Collegare l'uscita DMX del controller con l'ingresso DMX della prima unità;
- Collegare, quindi, l'uscita DMX con l'ingresso DMX della successiva unità; l'uscita di quest'ultima con l'ingresso di quella successiva e via dicendo finché tutte le unità sono collegate formando una catena.
- Per installazioni in cui il cavo di segnale deve percorrere lunghe distanze è consigliato inserire sull'ultima unità una terminazione DMX.

3.18 COSTRUZIONE DEL TERMINATORE DMX

La terminazione evita la probabilità che il segnale DMX 512, una volta raggiunta la fine della linea stessa venga riflesso indietro lungo il cavo, provocando, in certe condizioni e lunghezze, la sua sovrapposizione al segnale originale e la sua cancellazione.

La terminazione deve essere effettuata, sull'ultima unità della catena, con connettori XLR a 3/5 pin, saldando una resistenza di 120Ω (minimo 1/4W) tra i terminali 2 e 3, così come indicato in figura.



- 4 - MANUTENZIONE

4.1 MANUTENZIONE E PULIZIA DEL SISTEMA OTTICO

- Durante gli interventi, assicurarsi che l'area sotto il luogo di installazione sia libera da personale non qualificato.
- Spegnerne l'unità, scollegare il cavo di alimentazione ed aspettare finché l'unità non si sia raffreddata.
- Tutte le viti utilizzate per l'installazione dell'unità e le sue parti devono essere assicurate saldamente e non devono essere corrose.
- Alloggiamenti, elementi di fissaggio e di installazione (soffitto, truss, sospensioni) devono essere totalmente esenti da qualsiasi deformazione.
- I cavi di alimentazione devono essere in condizione impeccabile e devono essere sostituiti immediatamente nel momento in cui anche un piccolo problema viene rilevato.
- Si dovrebbe procedere, ad intervalli regolari, alla pulizia della parte frontale per asportare polvere, fumo e altre particelle. Solo così, la luce può essere irradiata con la luminosità massima. Per la pulizia usare un panno morbido, pulito e un detergente per vetri come si trovano in commercio. Quindi asciugare le parti delicatamente.

4.2 RISOLUZIONE DEI PROBLEMI

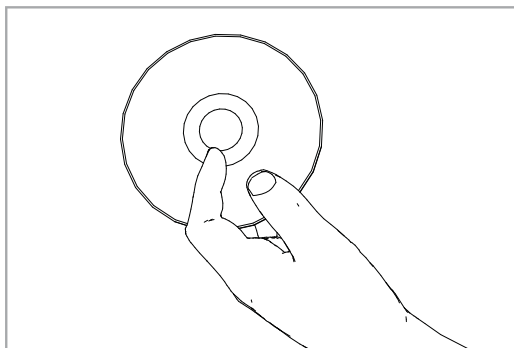
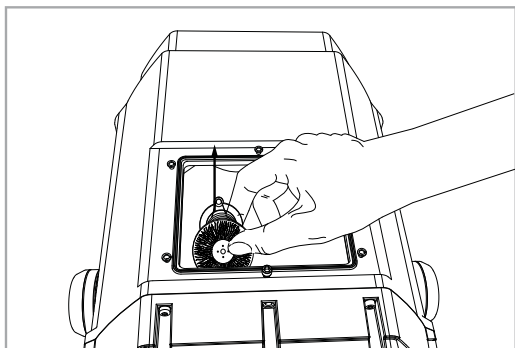
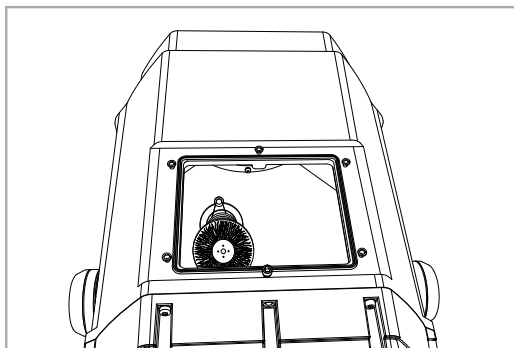
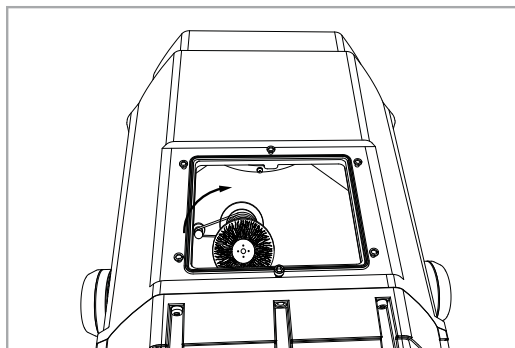
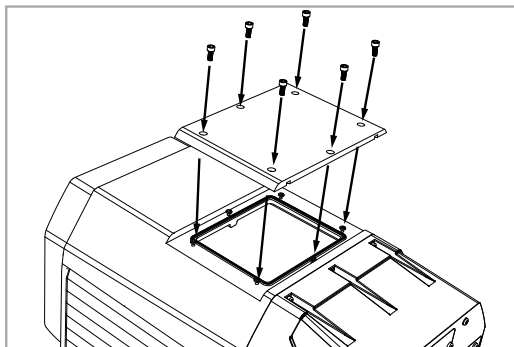
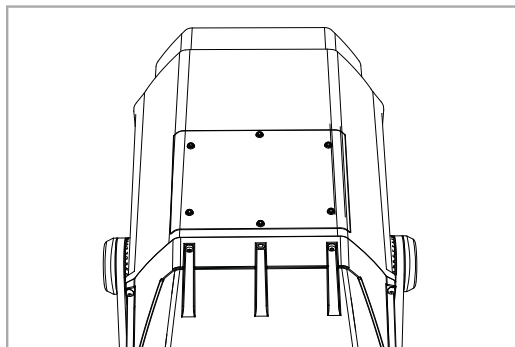
Anomalie	Possibili cause	Controlli e rimedi
Il proiettore non illumina	<ul style="list-style-type: none"> • Mancanza di alimentazione di rete • Dimmer impostato a 0 • Tutti i colori impostati a 0 • LED difettoso/i • Scheda LED difettosa 	<ul style="list-style-type: none"> • Verificare la presenza della tensione alimentazione • Incrementare i valori del canale dimmer • Incrementare i valori dei canali colori • Sostituire scheda LED • Sostituire scheda LED
Bassa intensità di luce generale	<ul style="list-style-type: none"> • Lenti sporche • Lente disallineata 	<ul style="list-style-type: none"> • Pulire il dispositivo regolarmente • Installare il gruppo ottico correttamente
Il proiettore non è alimentato	<ul style="list-style-type: none"> • Mancanza di alimentazione di rete • Cavo di alimentazione danneggiato • Alimentatore interno difettoso 	<ul style="list-style-type: none"> • Verificare la presenza della tensione alimentazione • Controllare il cavo di alimentazione • Sostituire l'alimentatore interno
Il proiettore non risponde al DMX	<ul style="list-style-type: none"> • Indirizzamento DMX errato • Cavo di segnale DMX difettoso • Rimbalzo segnale DMX 	<ul style="list-style-type: none"> • Controllare il pannello di controllo e l'indirizzamento delle unità • Controllare il cavo di segnale DMX • Installare una terminazione DMX come suggerito

Rivolgersi a un centro di assistenza tecnico autorizzato nel caso in cui il problema non sia riportato in tabella.

4.3 SOSTITUZIONE ANIMATION WHEEL

Questa procedura spiegherà come sostituire l'animation wheel.

1. Per cambiare l'animation wheel, scollegare l'apparecchiatura dall'alimentazione e lasciare raffreddare i componenti.
2. Rimuovere la copertura superiore tramite la rimozione delle 6 viti, per accedere alle meccaniche interne.
3. Muovere l'animation wheel ruotando la leva verso destra fino alla massima estensione dell'alloggiamento. Per estrarre l'animation wheel dall'alloggiamento effettuare una leggera pressione della stessa verso la parte posteriore del proiettore.
4. Sostituire l'animation wheel e riposizionare la paletta dell'alloggiamento.
5. Chiudere il coperchio stringendo le viti rimosse in precedenza.

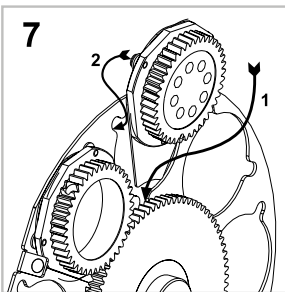
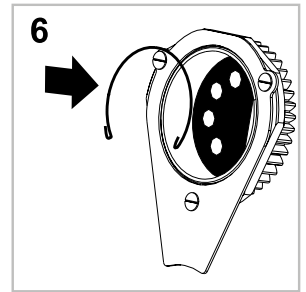
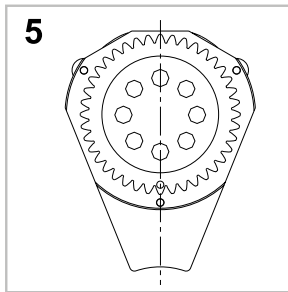
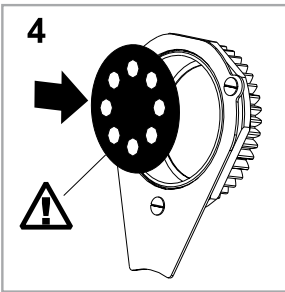
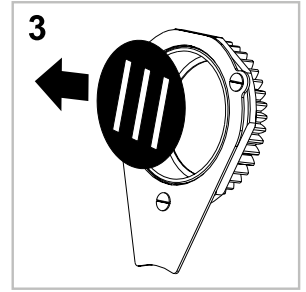
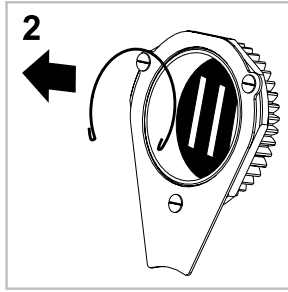
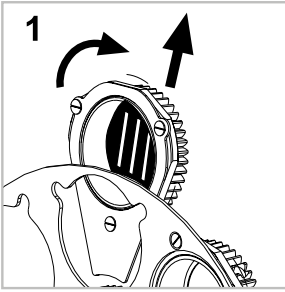


4.4 SOSTITUZIONE GOBOS

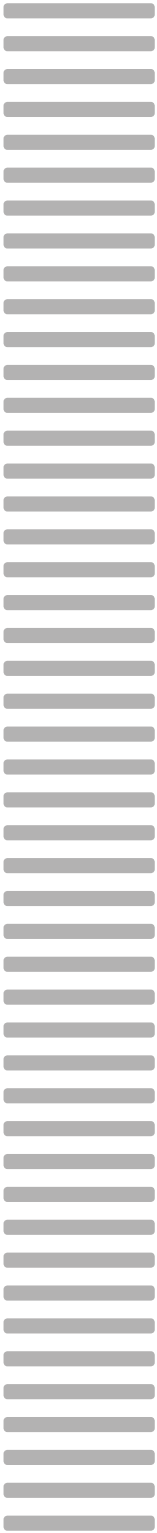
Questa procedura spiegherà come sostituire i gobos.

1. Sollevare ed estrarre delicatamente dalla ruota gobo il supporto del gobo che desiderate sostituire.
2. Rimuovere la molla che assicura il gobo al supporto.
3. Inserire il nuovo gobo rispettando il verso della parte verniciata.
4. Inserire la molla.
5. Rimontare il supporto gobo nella ruota.
6. Verificare che i gobos girino senza impedimenti e rimontare il gruppo seguendo al contrario la procedura.

NOTA: la posizione obbligatoria del supporto del gobo col magnete è la numero 3.



PROLIGHTS è un brand di proprietà della Music & Lights S.r.l. **PROLIGHTS** is a brand of Music & Lights S.r.l. company. ©2019 Music & Lights S.r.l.

A series of horizontal grey bars of varying lengths, arranged in a pattern that resembles a barcode or a decorative graphic element, extending across the width of the page.