

# Photometric Test Report



## PANORAMAIPWBX

19x40 W IP65 moving wash, beam and  
pixel ring effect light

## CONTENTS

Table of contents	2
Testing process	3
Color preset Full on	
Beam angle Max Zoom	4
Beam angle Min Zoom	7
Color preset Red	
Beam angle Max Zoom	10
Beam angle Min Zoom	13
Color preset Green	
Beam angle Max Zoom	16
Beam angle Min Zoom	19
Color preset Blue	
Beam angle Max Zoom	22
Beam angle Min Zoom	25
Color preset White	
Beam angle Max Zoom	28
Beam angle Min Zoom	31

## TESTING PROCESS

Prolights has its own optical testing laboratory in order to provide accurate photometric reports for its lighting products. The testing laboratory contains a wide variety of precise lighting measurement systems

that ensure an optimal reading of all the characteristic parameters of the lighting devices. All measurements are made at a controlled room temperature of 20°C without any external light sources. This photometric report is obtained through the data measured by a high precision measurement system and analyzed by a dedicate software.

### **Prolights measurement instrument**

Prolights measurement instrument is a complete measurement system for any light source. It's equipped with two-axis goniometer, that enables to measure the full 3D distribution field of the light source. This instrument measures the light intensity, the beam angle and the most significative colors parameters, like color temperature, spectral distribution, CRI, CQS, TM-30 with a very high accuracy rate.

**Please Note:** All measurements are made with light source at operating temperature. Before starting the measurement, the instrument analyzes the process of the light source during the heating phase. The measuring process of all the parameters begins only when the light emission is stable, that is with a variation of less than 0.5% in a 15 minutes time frame.

### **Prolights measurement software**

The software provides user friendly interface for the operator who does the measurements, and it also analyzes and processes all the collected data by the instrument. With this software it is possible to see the measured data in real-time and it is possible to examine all the measured data and graphics afterwards as well. All information is collected in a specific Prolights template, and the software creates also IES and LDT files, which are widely used to transfer the photometric data, and to develop lighting system.

Additionally, the fixtures are rechecked using various hand-held instruments like Sekonic C-700 and Gossen Mavospec Base, this is done to ensure, that the data in the photometric report are as accurate as possible.



Total lumen output:

5803 lm

Peak candela output:

44090 cd

PRODUCT NAME:

PANORAMAIPWBX

MEASUREMENT CONDITIONS:

Beam angle:

Max Zoom

Target:

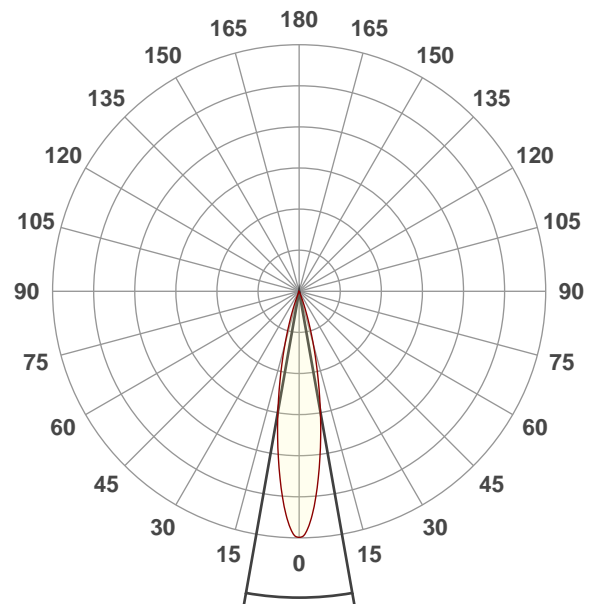
Full on

Operator:

Paolo Carvone

Date and time:

10/09/2020 11:45:27

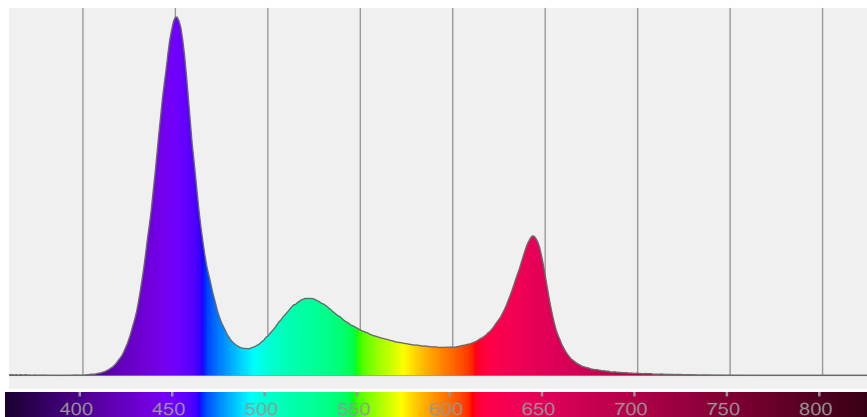


Beam angle 50%: 20°

Field angle 10%: 36,3°

Cut off angle 2.5%: 42,5°

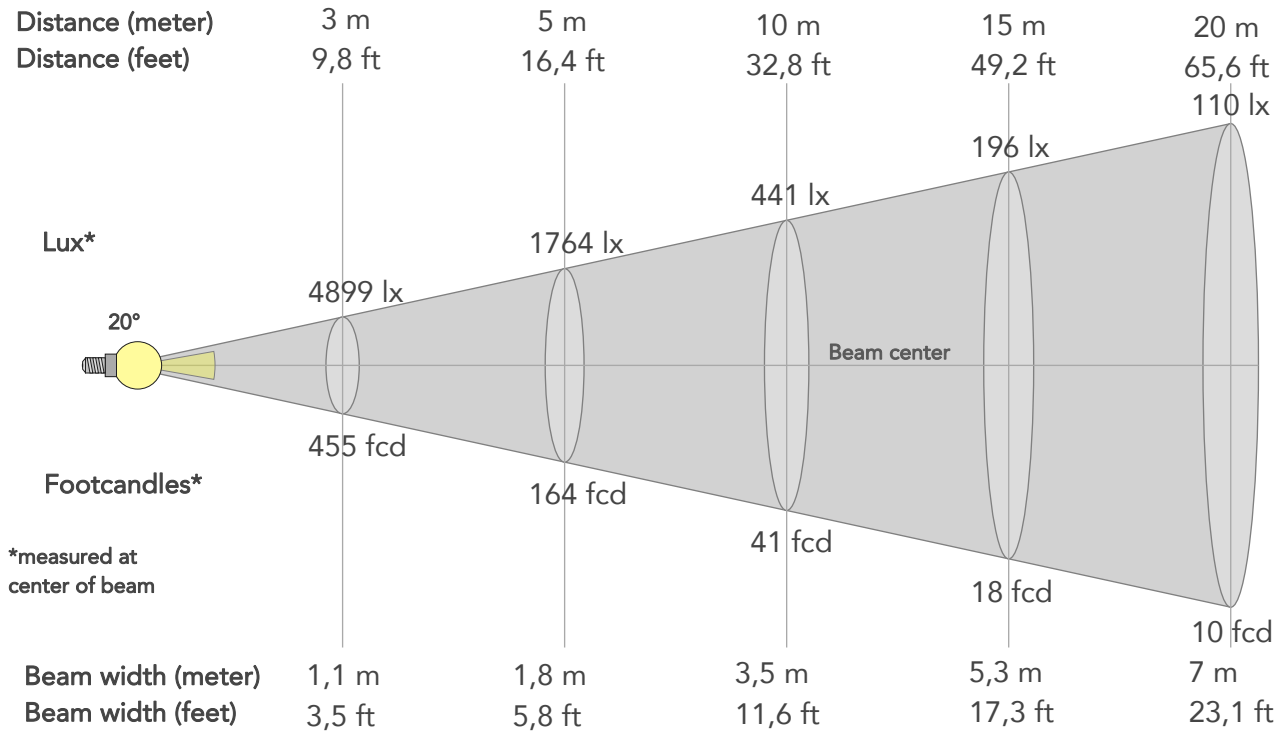
Spectra



# BEAM DETAILS



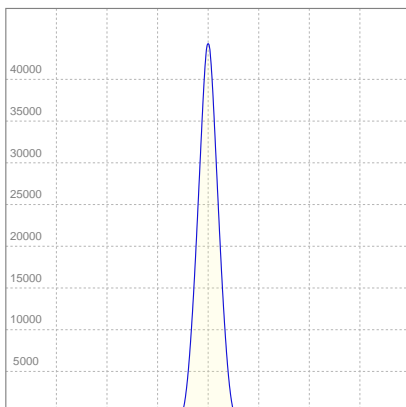
Beam angle 50%	Field angle 10%	Cut off angle 2,5%	Intensity ratio in 120° cone	Intensity ratio in 90° cone
20°	36,3°	42,5°	100,0%	100,0%



## BEAM INTENSITIES AND WIDTHS

Distance	1m	2m	3m	4m	5m	7,5m	10m	15m	20m	25m	30m	40m	50m
Distance	3,3ft	6,6ft	9,8ft	13,1ft	16,4ft	24,6ft	32,8ft	49,2ft	65,6ft	82ft	98,4ft	131,2ft	164ft
Lux	44090lx	11022lx	4899lx	2756lx	1764lx	784lx	441lx	196lx	110lx	71lx	49lx	28lx	18lx
Footcand.	4096fcd	1024fcd	455fcd	256fcd	164fcd	73fcd	41fcd	18fcd	10fcd	7fcd	5fcd	3fcd	2fcd
Beam wid.	0,4m	0,7m	1,1m	1,4m	1,8m	2,6m	3,5m	5,3m	7m	8,8m	10,6m	14,1m	17,6m
Beam wid.	1,2ft	2,3ft	3,5ft	4,6ft	5,8ft	8,7ft	11,6ft	17,3ft	23,1ft	28,9ft	34,7ft	46,2ft	57,8ft

## LINEAR DISTRIBUTION DIAGRAM

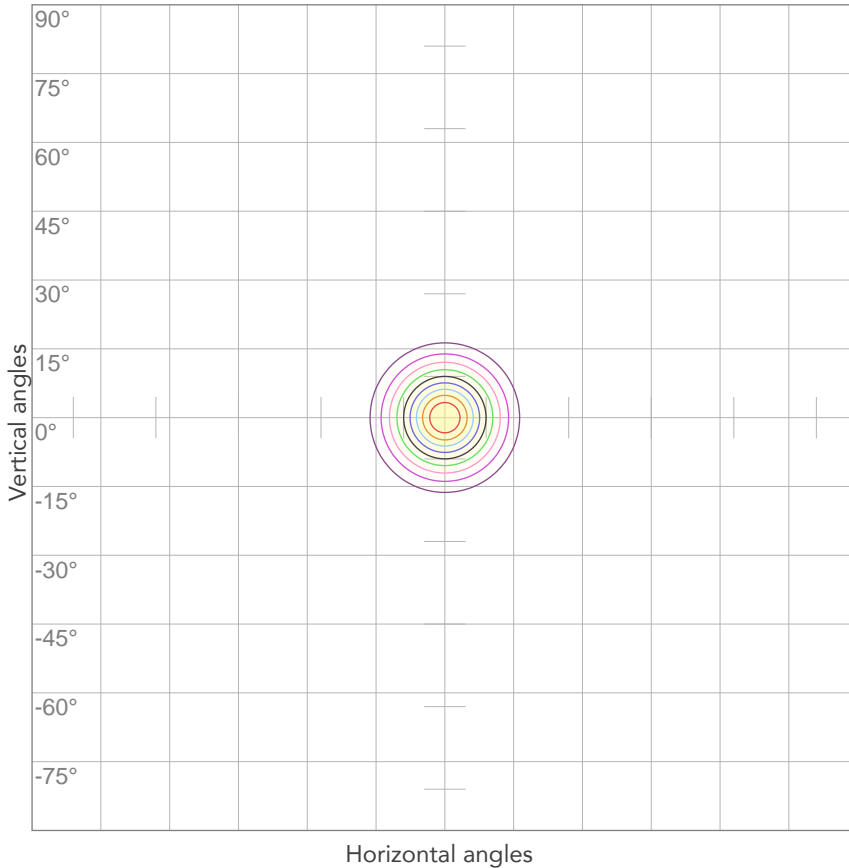


## ELECTRICAL SPECIFICATIONS

Input voltage	Input current	Input power	Effeciency
221V	3,06A	649,2W	9lm/W

Power FC
0,96

## ISO CANDELA DIAGRAM



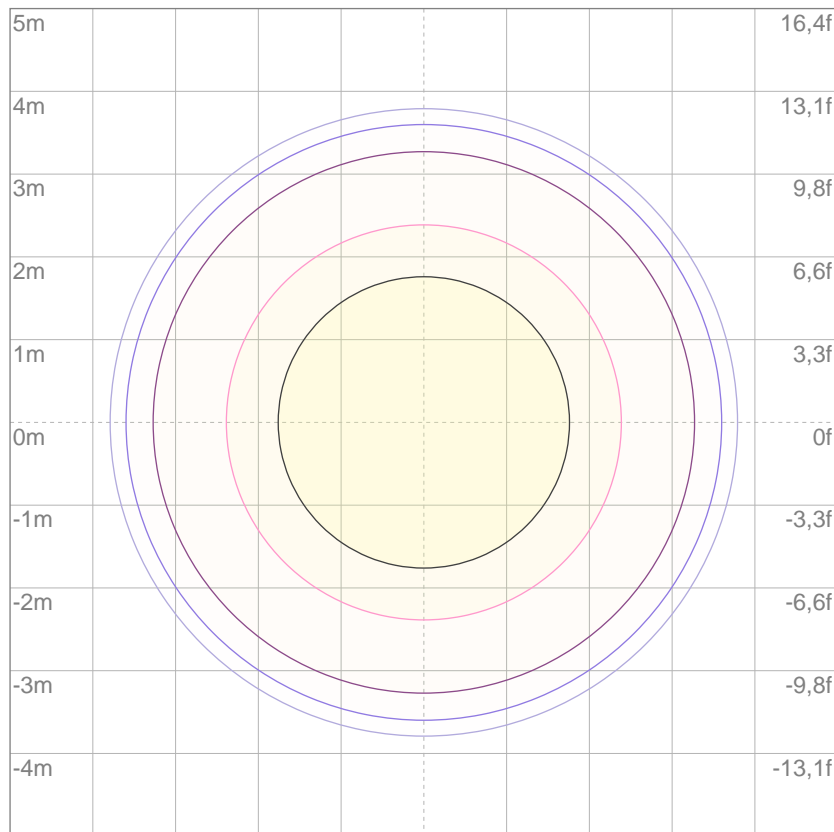
10%	4409 cd
20%	8818 cd
30%	13227 cd
40%	17636 cd
50%	22045 cd
60%	26454 cd
70%	30863 cd
80%	35272 cd

Conditions:

Number of c-planes: 2

Candela at center: 44090 cd

## ISO LUX DIAGRAM



3%	13,2 lx
5%	22,0 lx
10%	44,1 lx
30%	132 lx
50%	220 lx

Conditions:

Number of c-planes: 2

Lux at center: 441 lx

*Lux distribution on a surface when lamp is mounted at 10 meters from the surface.*

Mounting height: 10 meters (33 feet)



Total lumen output:

4452 lm

Peak candela output:

847316 cd

**PRODUCT NAME:**

PANORAMAIPWBX

**MEASUREMENT CONDITIONS:**

Beam angle:

Min Zoom

Target:

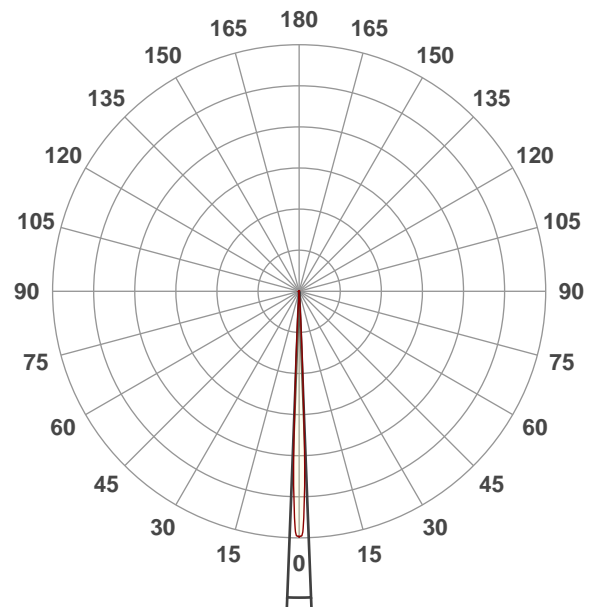
Full on

Operator:

Paolo Carvone

Date and time:

10/09/2020 12:12:42

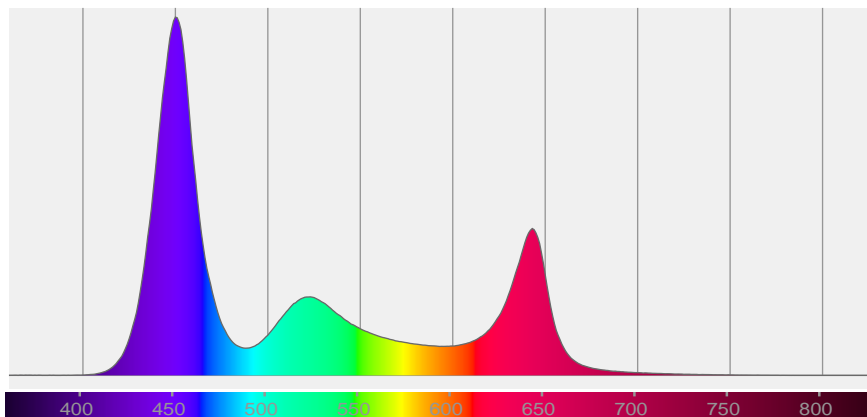


Beam angle 50%: 4,4°

Field angle 10%: 6,5°

Cut off angle 2.5%: 7,3°

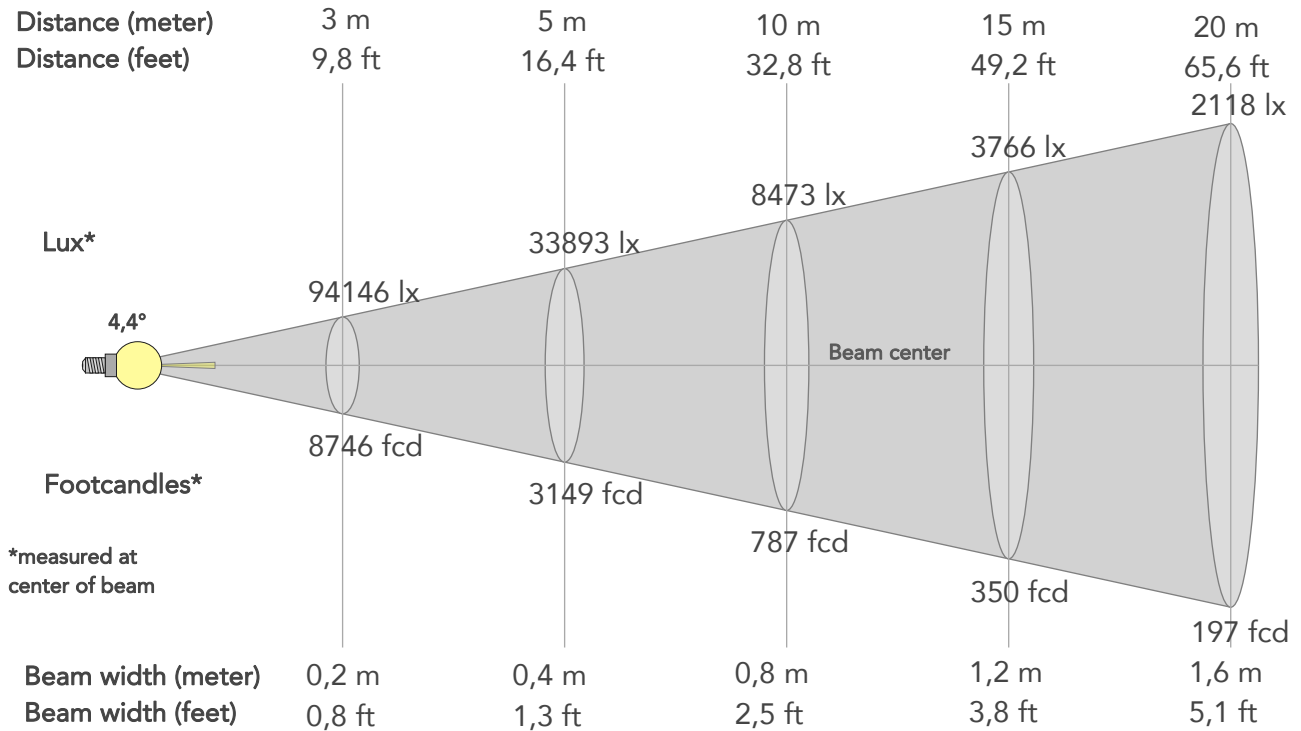
Spectra



# BEAM DETAILS



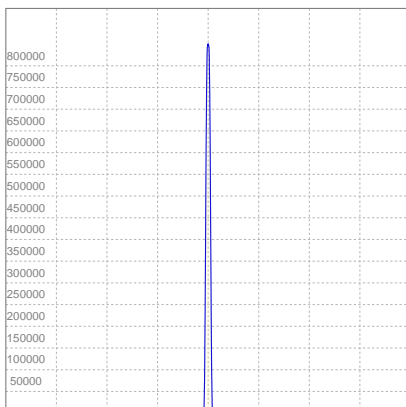
Beam angle 50%	Field angle 10%	Cut off angle 2,5%	Intensity ratio in 120° cone	Intensity ratio in 90° cone
4,4°	6,5°	7,3°	99,9%	99,9%



## BEAM INTENSITIES AND WIDTHS

Distance	1m	2m	3m	4m	5m	7,5m	10m	15m	20m	25m	30m	40m	50m
Distance	3,3ft	6,6ft	9,8ft	13,1ft	16,4ft	24,6ft	32,8ft	49,2ft	65,6ft	82ft	98,4ft	131,2ft	164ft
Lux	847316lx	211829lx	94146lx	52957lx	33893lx	15063lx	8473lx	3766lx	2118lx	1356lx	941lx	530lx	339lx
Footcand.	78718fcd	19680fcd	8746fcd	4920fcd	3149fcd	1399fcd	787fcd	350fcd	197fcd	126fcd	87fcd	49fcd	31fcd
Beam wid.	0,1m	0,2m	0,2m	0,3m	0,4m	0,6m	0,8m	1,2m	1,6m	1,9m	2,3m	3,1m	3,9m
Beam wid.	0,3ft	0,5ft	0,8ft	1ft	1,3ft	1,9ft	2,5ft	3,8ft	5,1ft	6,4ft	7,6ft	10,2ft	12,7ft

## LINEAR DISTRIBUTION DIAGRAM



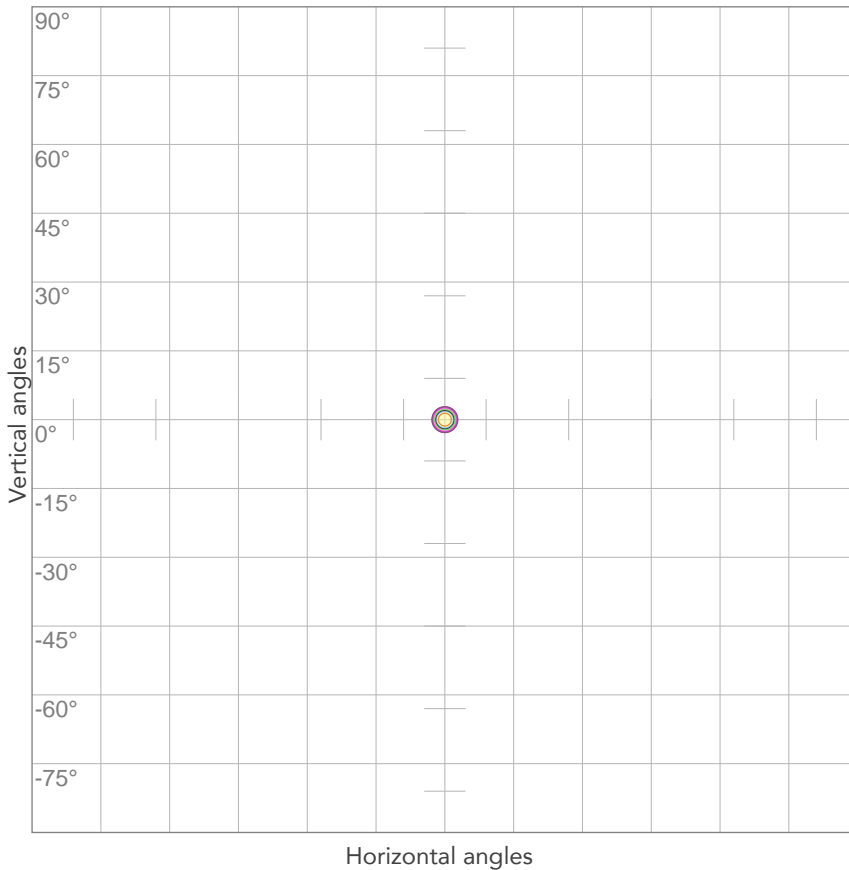
## ELECTRICAL SPECIFICATIONS

Input voltage	Input current	Input power	Effeciency
223V	3,05A	649,9W	7lm/W

Power FC
0,96



## ISO CANDELA DIAGRAM



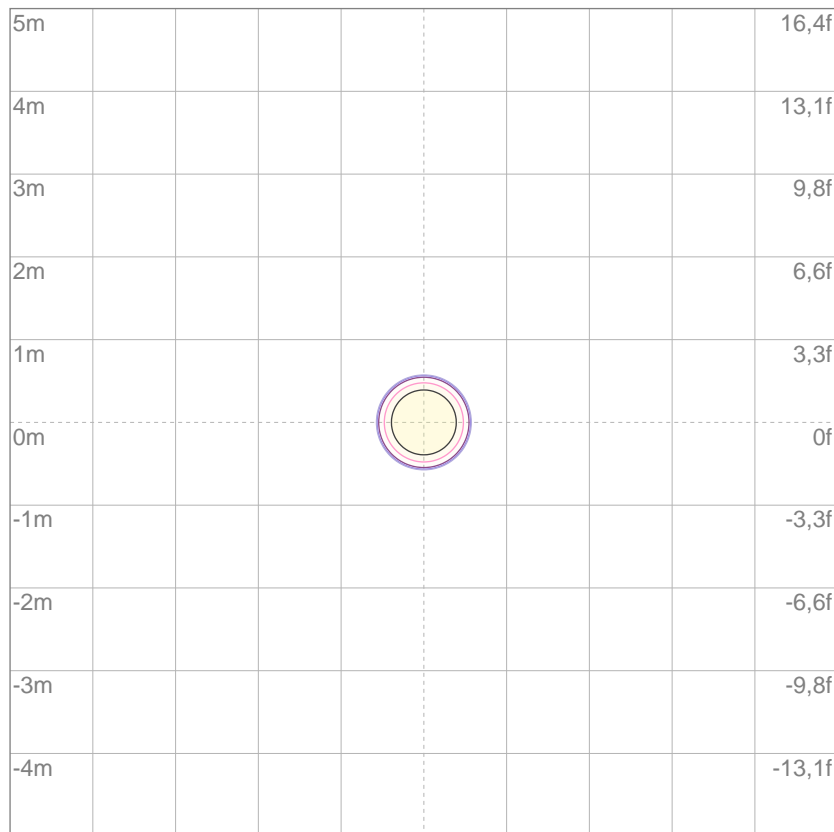
10%	84732 cd
20%	169463 cd
30%	254195 cd
40%	338926 cd
50%	423658 cd
60%	508389 cd
70%	593121 cd
80%	677853 cd

Conditions:

Number of c-planes: 2

Candela at center: 847316 cd

## ISO LUX DIAGRAM



3%	254 lx
5%	424 lx
10%	847 lx
30%	2542 lx
50%	4237 lx

Conditions:

Number of c-planes: 2

Lux at center: 8473 lx

*Lux distribution on a surface when lamp is mounted at 10 meters from the surface.*

Mounting height: 10 meters (33 feet)



Total lumen output:

1090 lm

Peak candela output:

8147 cd

**PRODUCT NAME:**

PANORAMAIPWBX

**MEASUREMENT CONDITIONS:**

Beam angle:

Max Zoom

Target:

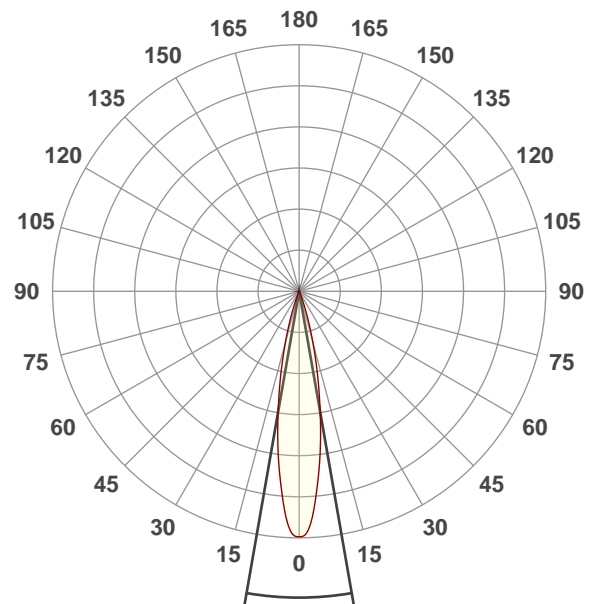
Red

Operator:

Paolo Carvone

Date and time:

10/09/2020 11:47:19

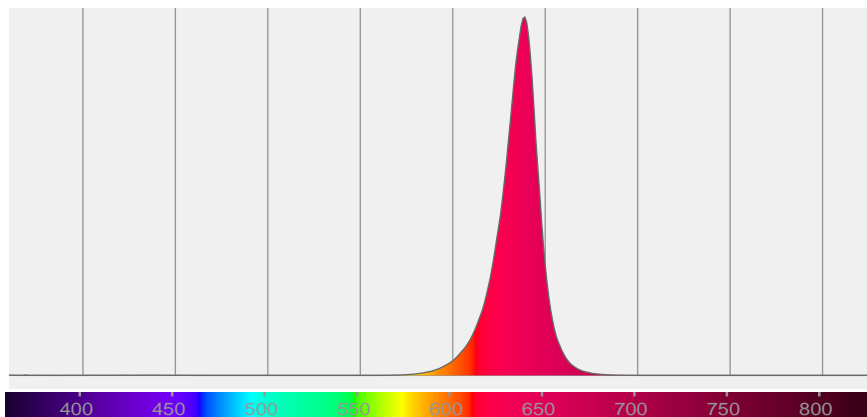


Beam angle 50%: 19,8°

Field angle 10%: 36,2°

Cut off angle 2.5%: 43°

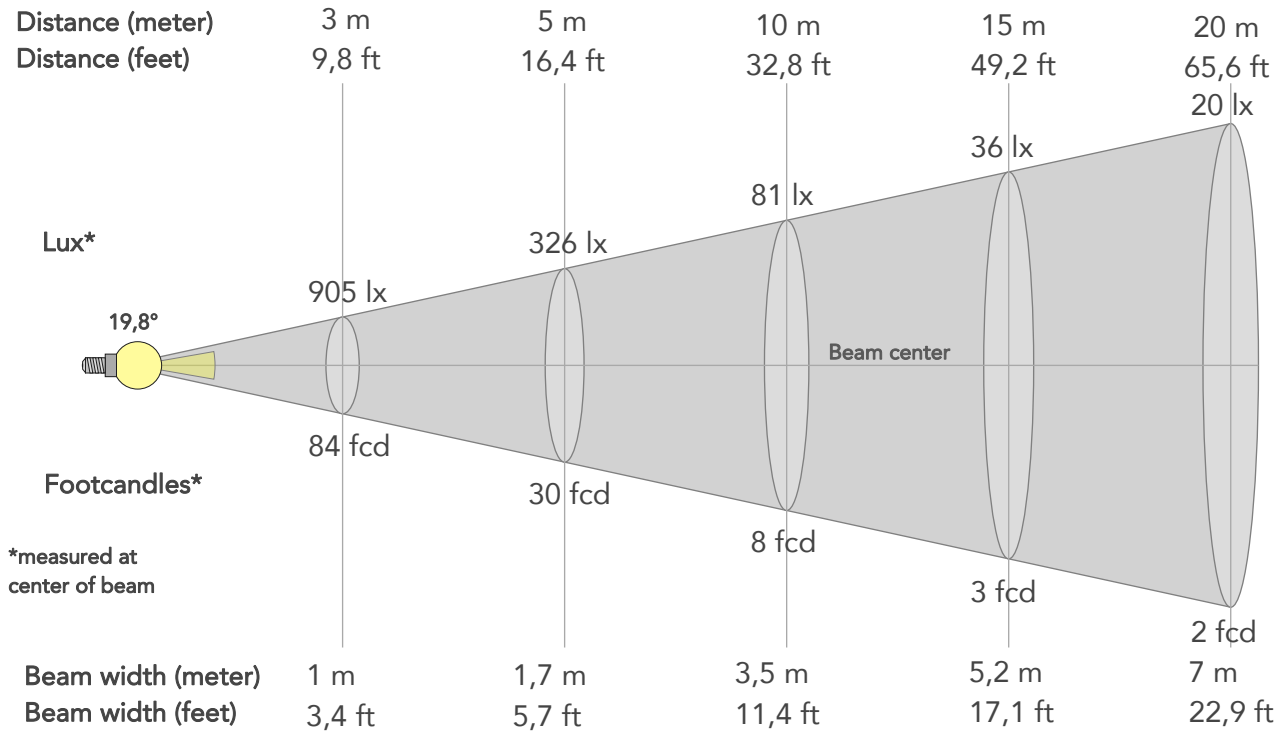
Spectra



# BEAM DETAILS



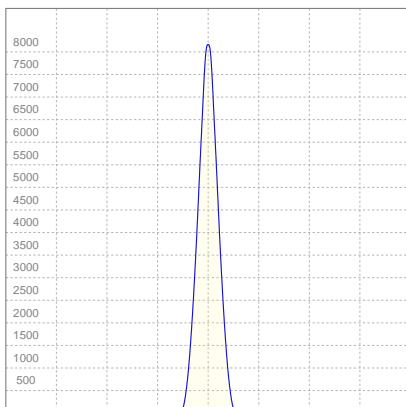
Beam angle 50%	Field angle 10%	Cut off angle 2,5%	Intensity ratio in 120° cone	Intensity ratio in 90° cone
19,8°	36,2°	43°	99,8%	99,3%



## BEAM INTENSITIES AND WIDTHS

Distance	1m	2m	3m	4m	5m	7,5m	10m	15m	20m	25m	30m	40m	50m
Distance	3,3ft	6,6ft	9,8ft	13,1ft	16,4ft	24,6ft	32,8ft	49,2ft	65,6ft	82ft	98,4ft	131,2ft	164ft
Lux	8147lx	2037lx	905lx	509lx	326lx	145lx	81lx	36lx	20lx	13lx	9lx	5lx	3lx
Footcand.	757fcd	189fcd	84fcd	47fcd	30fcd	13fcd	8fcd	3fcd	2fcd	1fcd	1fcd	0fcd	0fcd
Beam wid.	0,3m	0,7m	1m	1,4m	1,7m	2,6m	3,5m	5,2m	7m	8,7m	10,5m	13,9m	17,4m
Beam wid.	1,1ft	2,3ft	3,4ft	4,6ft	5,7ft	8,6ft	11,4ft	17,1ft	22,9ft	28,6ft	34,3ft	45,7ft	57,1ft

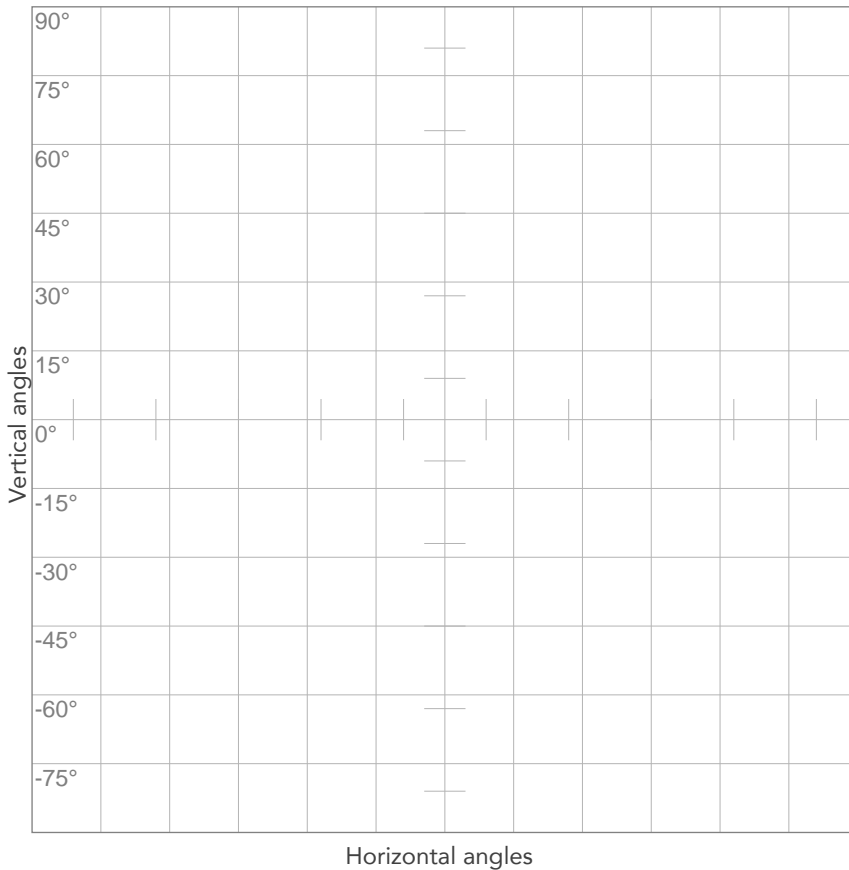
## LINEAR DISTRIBUTION DIAGRAM



## ELECTRICAL SPECIFICATIONS

Input voltage	Input current	Input power	Effeciency
224V	0,861A	170,7W	6lm/W

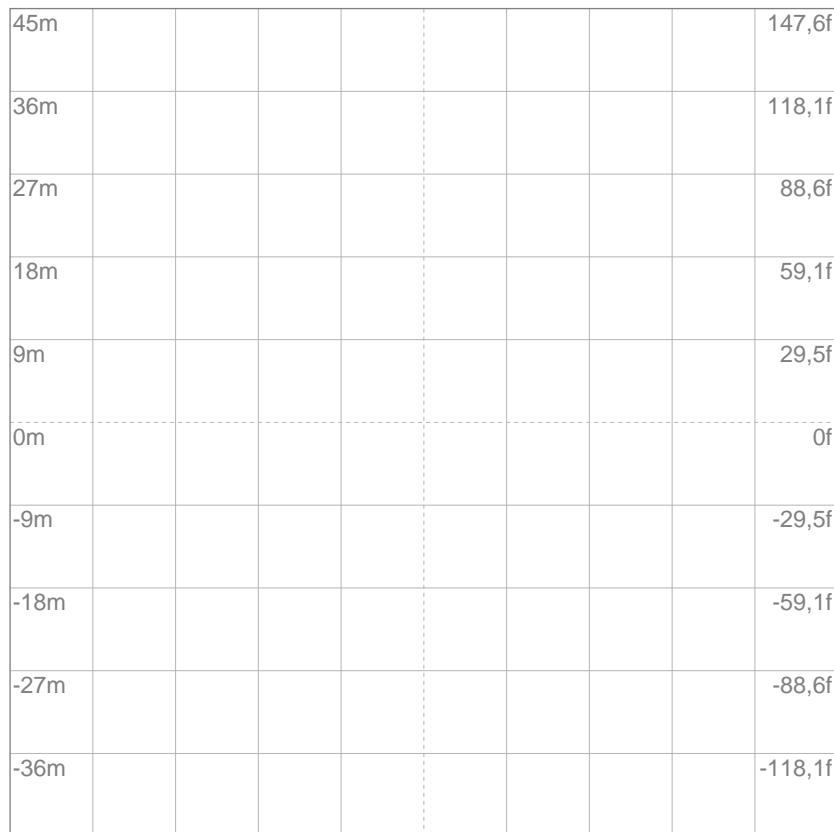
## ISO CANDELA DIAGRAM



10%	815 cd
20%	1629 cd
30%	2444 cd
40%	3259 cd
50%	4074 cd
60%	4888 cd
70%	5703 cd
80%	6518 cd

Conditions:  
 Number of c-planes: 2  
 Candela at center: 8147 cd

## ISO LUX DIAGRAM



3%	2,44 lx
5%	4,07 lx
10%	8,15 lx
30%	24,4 lx
50%	40,7 lx

Conditions:  
 Number of c-planes: 2  
 Lux at center: 81,5 lx

*Lux distribution on a surface when lamp is mounted at 10 meters from the surface.*

Mounting height: 10 meters (33 feet)



Total lumen output:

807 lm

Peak candela output:

157727 cd

**PRODUCT NAME:**

PANORAMAIPWBX

**MEASUREMENT CONDITIONS:**

Beam angle:

Min Zoom

Target:

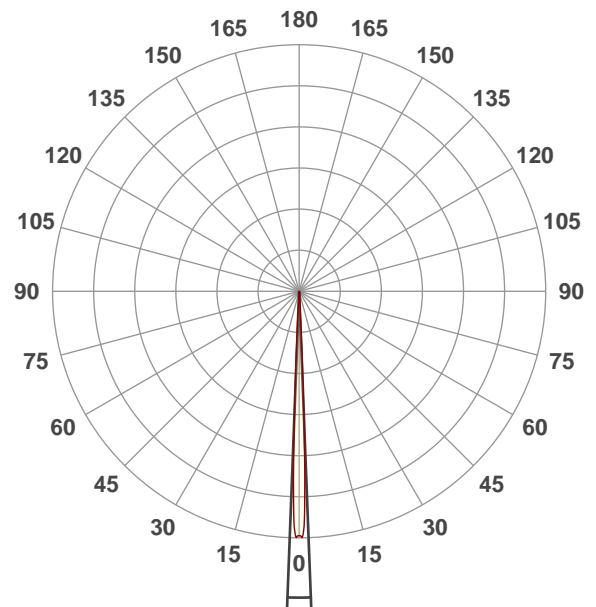
Red

Operator:

Paolo Carvone

Date and time:

10/09/2020 12:14:56

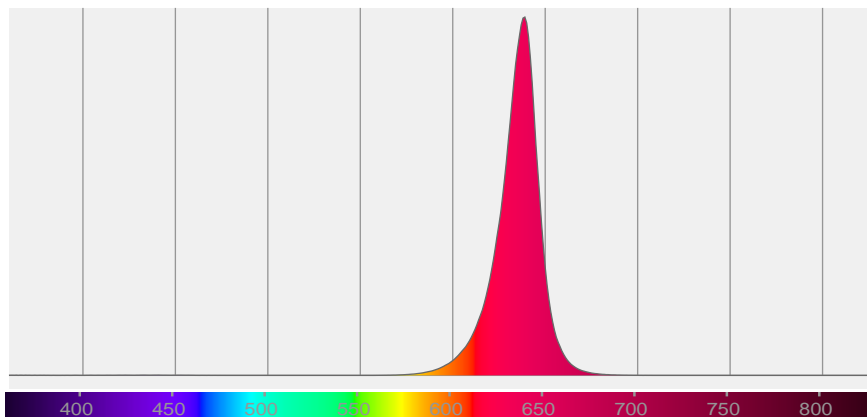


Beam angle 50%: 4,4°

Field angle 10%: 6,2°

Cut off angle 2.5%: 6,8°

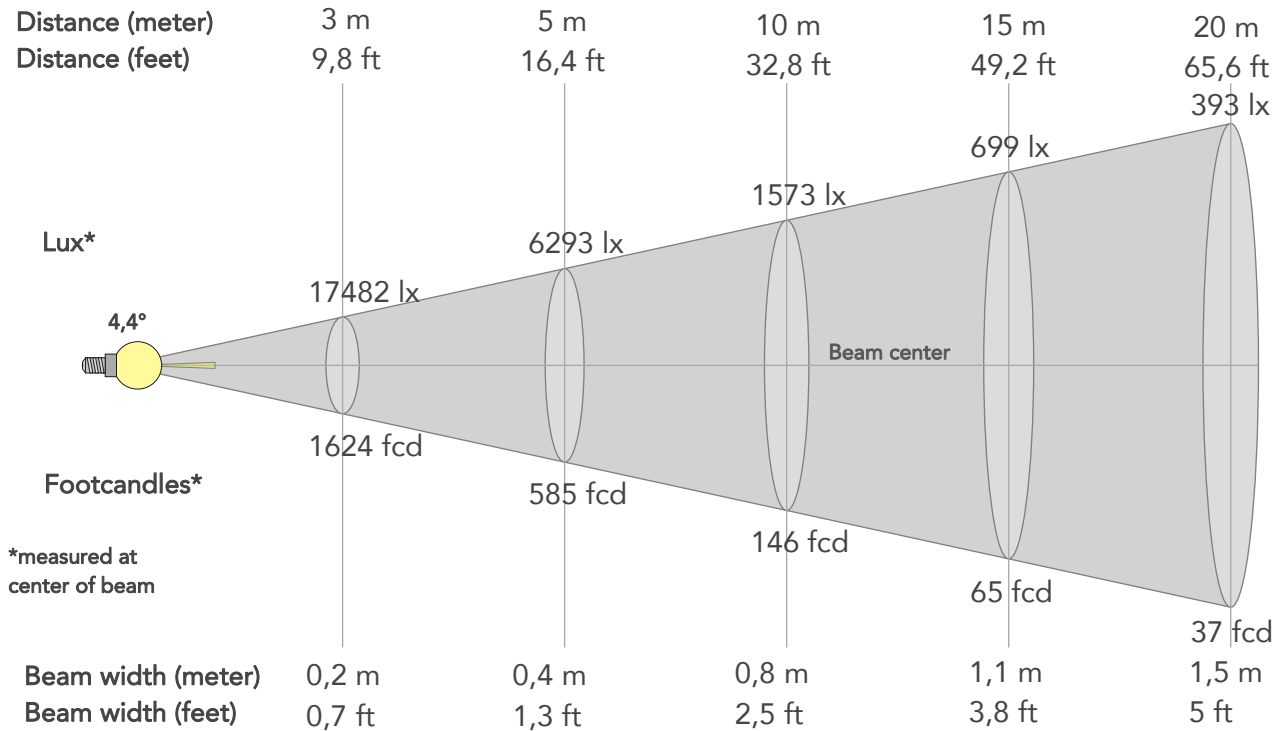
Spectra



# BEAM DETAILS



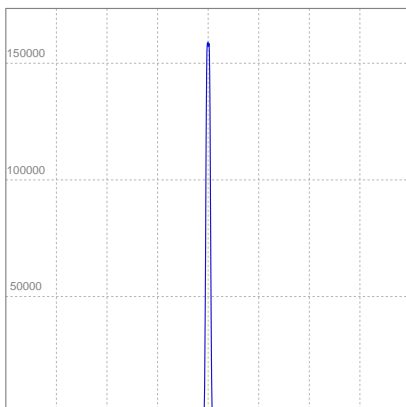
Beam angle 50%	Field angle 10%	Cut off angle 2,5%	Intensity ratio in 120° cone	Intensity ratio in 90° cone
4,4°	6,2°	6,8°	99,7%	99,6%



## BEAM INTENSITIES AND WIDTHS

Distance	1m	2m	3m	4m	5m	7,5m	10m	15m	20m	25m	30m	40m	50m
Distance	3,3ft	6,6ft	9,8ft	13,1ft	16,4ft	24,6ft	32,8ft	49,2ft	65,6ft	82ft	98,4ft	131,2ft	164ft
Lux	157337lx	39334lx	17482lx	9834lx	6293lx	2797lx	1573lx	699lx	393lx	252lx	175lx	98lx	63lx
Footcand.	14617fcd	3654fcd	1624fcd	914fcd	585fcd	260fcd	146fcd	65fcd	37fcd	23fcd	16fcd	9fcd	6fcd
Beam wid.	0,1m	0,2m	0,2m	0,3m	0,4m	0,6m	0,8m	1,1m	1,5m	1,9m	2,3m	3,1m	3,8m
Beam wid.	0,3ft	0,5ft	0,7ft	1ft	1,3ft	1,9ft	2,5ft	3,8ft	5ft	6,3ft	7,5ft	10ft	12,5ft

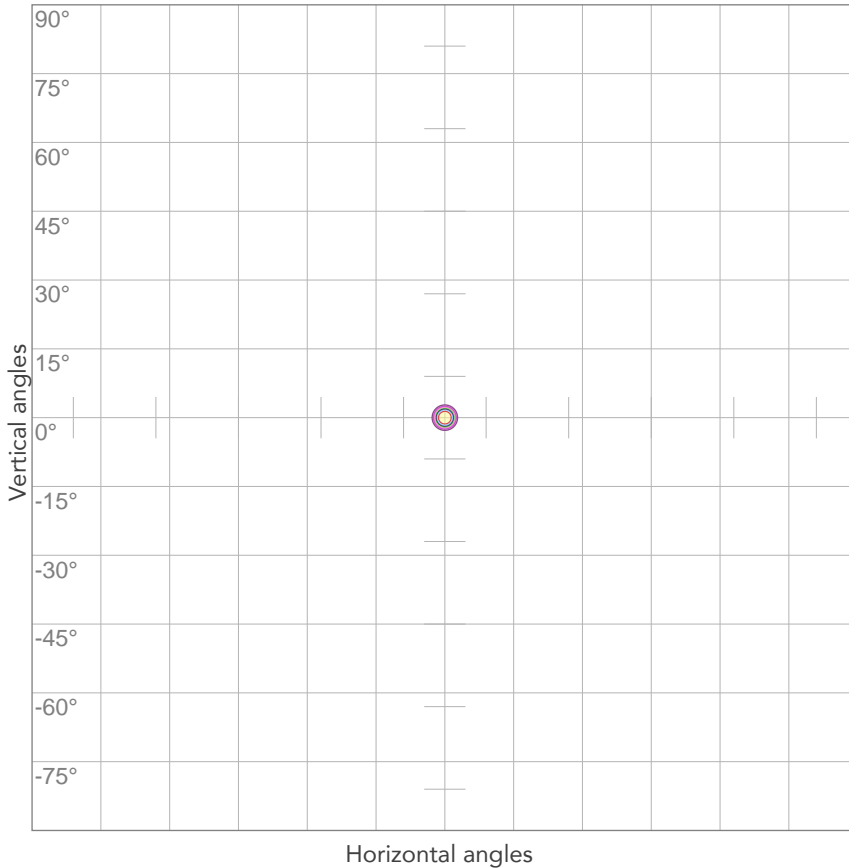
## LINEAR DISTRIBUTION DIAGRAM



## ELECTRICAL SPECIFICATIONS

Input voltage	Input current	Input power	Effeciency
225V	0,855A	169,9W	5lm/W

## ISO CANDELA DIAGRAM



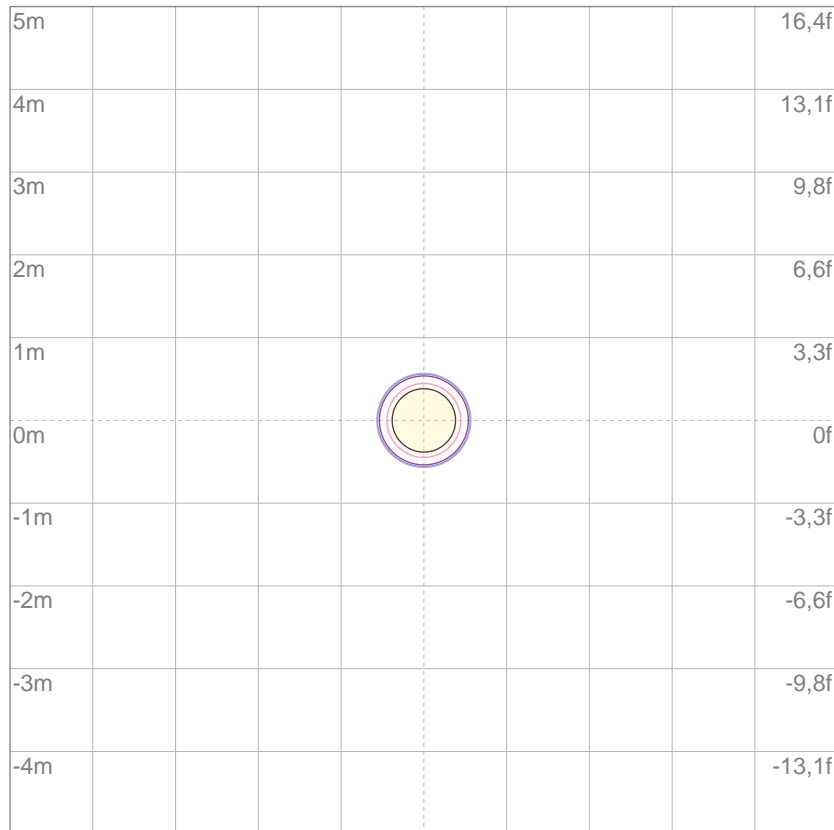
10%	15734 cd
20%	31467 cd
30%	47201 cd
40%	62935 cd
50%	78668 cd
60%	94402 cd
70%	110136 cd
80%	125869 cd

Conditions:

Number of c-planes: 2

Candela at center: 157337 cd

## ISO LUX DIAGRAM



3%	47,2 lx
5%	78,7 lx
10%	157 lx
30%	472 lx
50%	787 lx

Conditions:

Number of c-planes: 2

Lux at center: 1573 lx

*Lux distribution on a surface when lamp is mounted at 10 meters from the surface.*



Total lumen output:

1949 lm

Peak candela output:

14788 cd

**PRODUCT NAME:**

PANORAMAIPWBX

**MEASURAMENT CONDITIONS:**

Beam angle:

Max Zoom

Target:

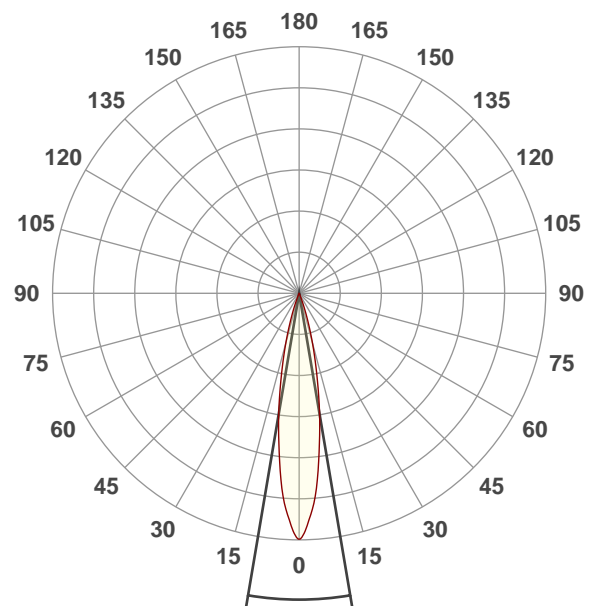
Green

Operator:

Paolo Carvone

Date and time:

10/09/2020 11:49:16

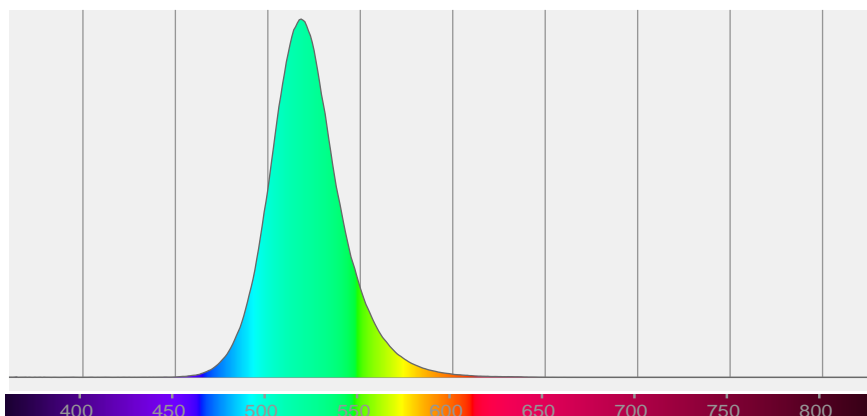


Beam angle 50%: 19,2°

Field angle 10%: 36°

Cut off angle 2.5%: 43°

Spectra

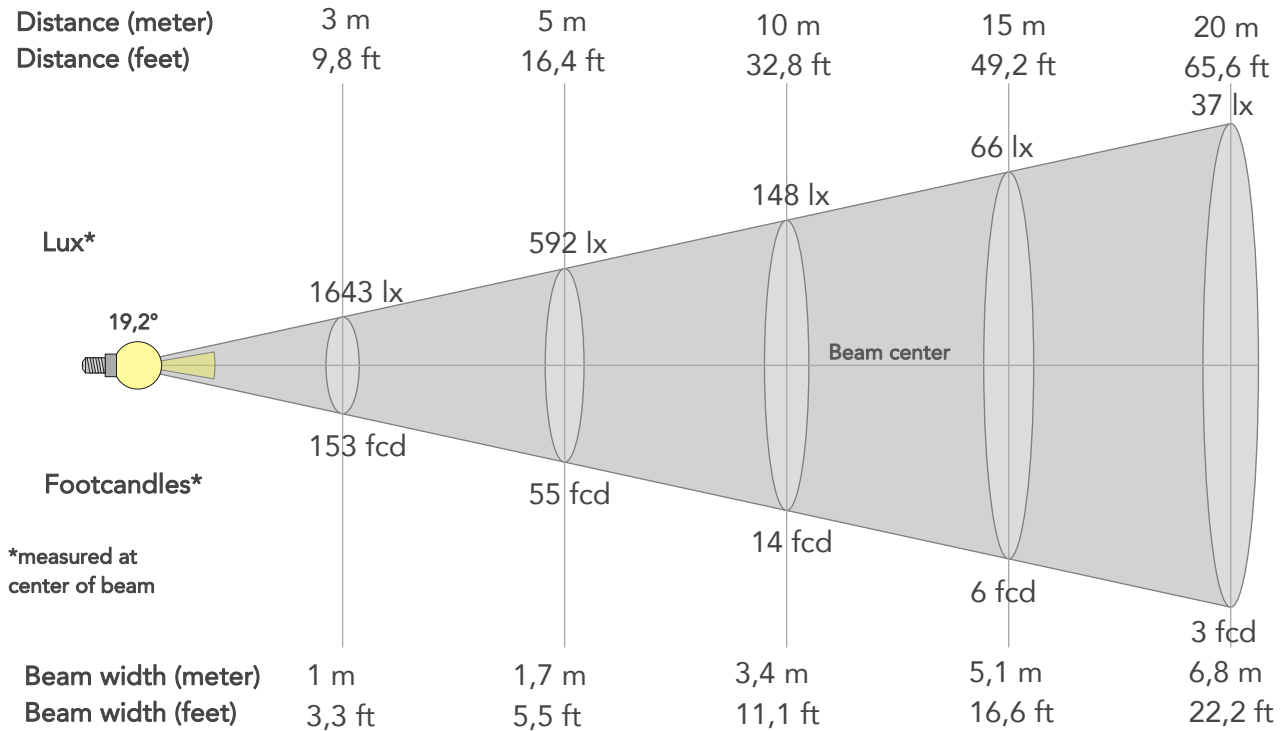




# BEAM DETAILS



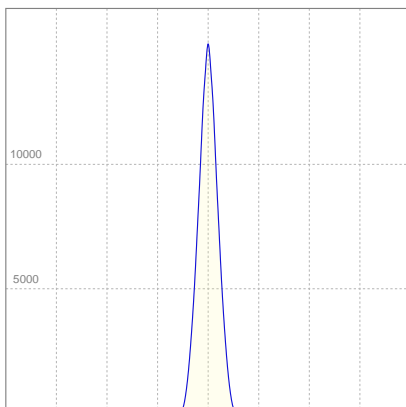
Beam angle 50%	Field angle 10%	Cut off angle 2,5%	Intensity ratio in 120° cone	Intensity ratio in 90° cone
19,2°	36°	43°	99,5%	98,5%



## BEAM INTENSITIES AND WIDTHS

Distance	1m	2m	3m	4m	5m	7,5m	10m	15m	20m	25m	30m	40m	50m
Distance	3,3ft	6,6ft	9,8ft	13,1ft	16,4ft	24,6ft	32,8ft	49,2ft	65,6ft	82ft	98,4ft	131,2ft	164ft
Lux	14788lx	3697lx	1643lx	924lx	592lx	263lx	148lx	66lx	37lx	24lx	16lx	9lx	6lx
Footcand.	1374fcd	343fcd	153fcd	86fcd	55fcd	24fcd	14fcd	6fcd	3fcd	2fcd	2fcd	1fcd	1fcd
Beam wid.	0,3m	0,7m	1m	1,4m	1,7m	2,5m	3,4m	5,1m	6,8m	8,5m	10,1m	13,5m	16,9m
Beam wid.	1,1ft	2,2ft	3,3ft	4,4ft	5,5ft	8,3ft	11,1ft	16,6ft	22,2ft	27,7ft	33,3ft	44,4ft	55,5ft

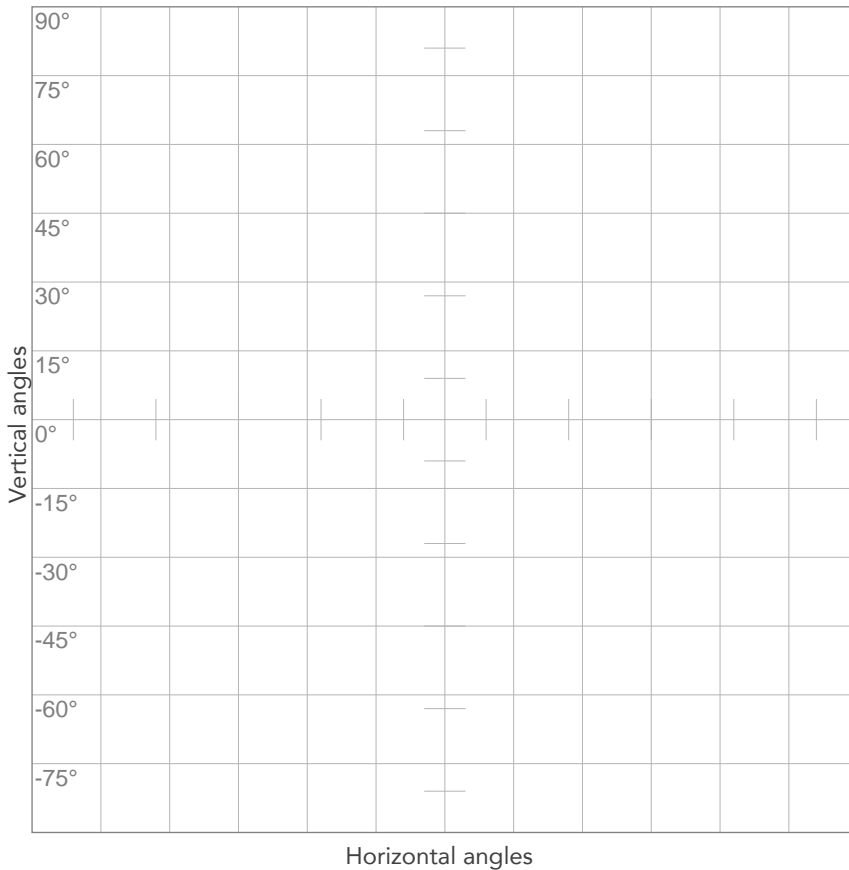
## LINEAR DISTRIBUTION DIAGRAM



## ELECTRICAL SPECIFICATIONS

Input voltage	Input current	Input power	Effeciency
223V	0,964A	192,6W	10lm/W

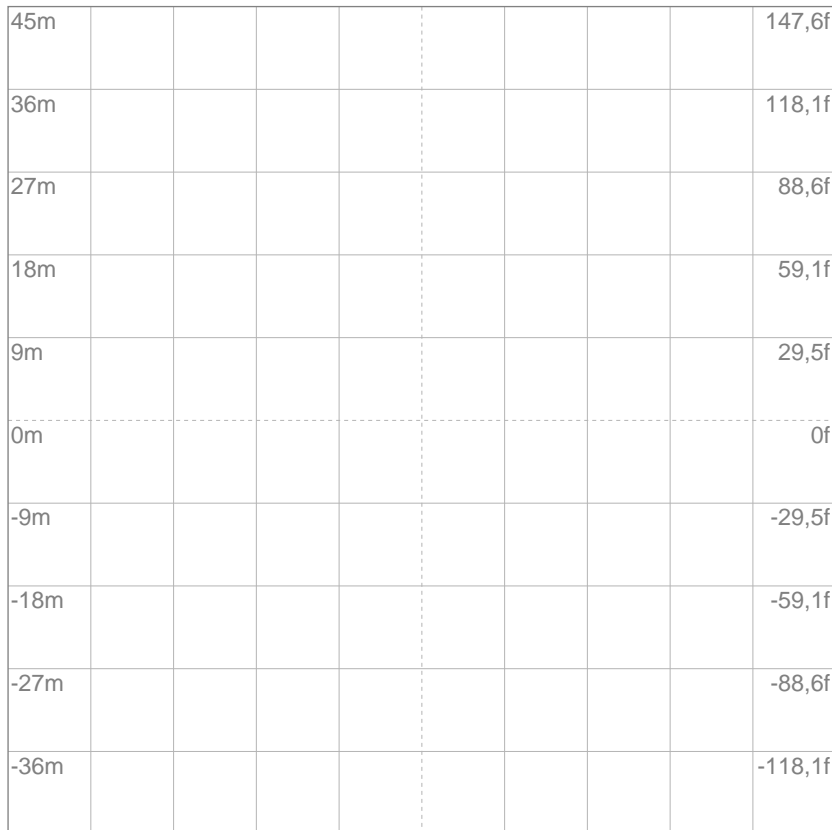
## ISO CANDELA DIAGRAM



10%	1479 cd
20%	2958 cd
30%	4436 cd
40%	5915 cd
50%	7394 cd
60%	8873 cd
70%	10351 cd
80%	11830 cd

Conditions:  
 Number of c-planes: 2  
 Candela at center: 14788 cd

## ISO LUX DIAGRAM



3%	4,44 lx
5%	7,39 lx
10%	14,8 lx
30%	44,4 lx
50%	73,9 lx

Conditions:  
 Number of c-planes: 2  
 Lux at center: 148 lx

*Lux distribution on a surface when lamp is mounted at 10 meters from the surface.*

Mounting height: 10 meters (33 feet)



Total lumen output:

1383 lm

Peak candela output:

267193 cd

**PRODUCT NAME:**

PANORAMAIPWBX

**MEASUREMENT CONDITIONS:**

Beam angle:

Min Zoom

Target:

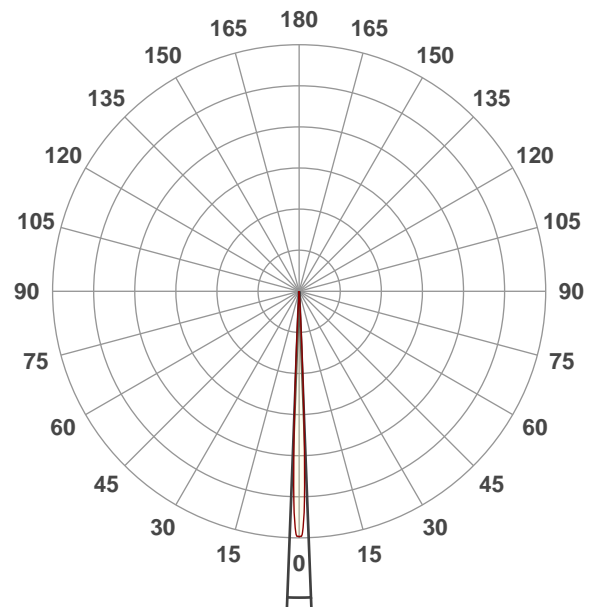
Green

Operator:

Paolo Carvone

Date and time:

10/09/2020 12:16:23

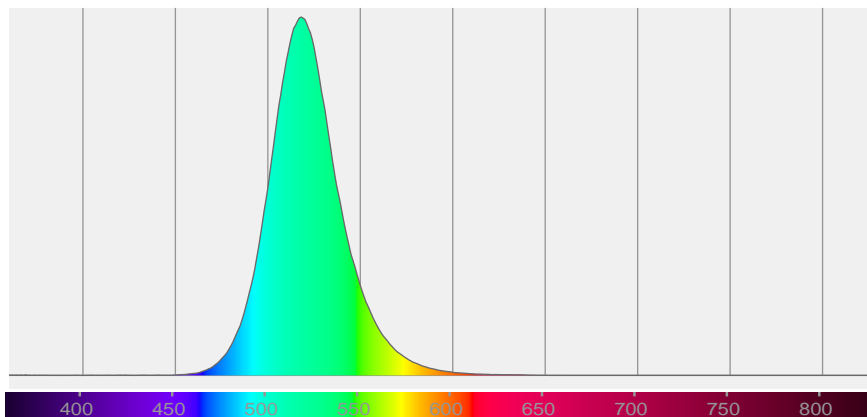


Beam angle 50%: 4,4°

Field angle 10%: 6,4°

Cut off angle 2.5%: 7,3°

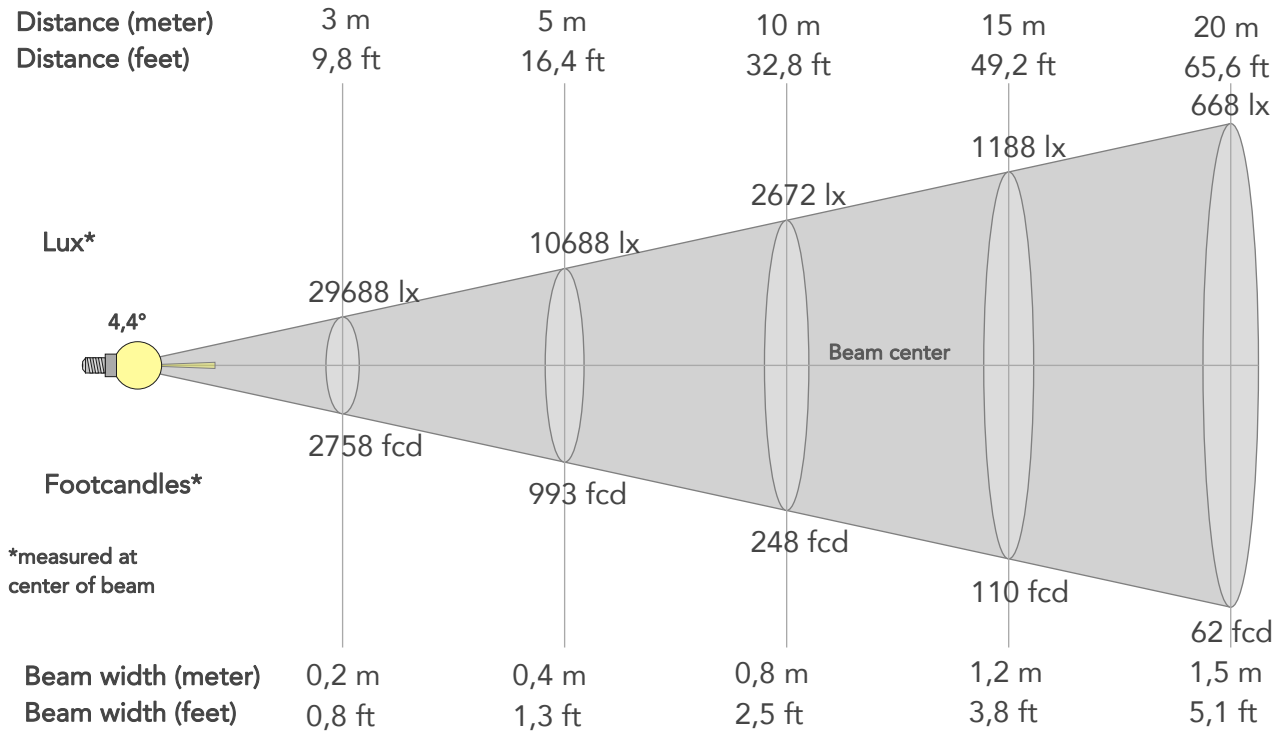
Spectra



# BEAM DETAILS



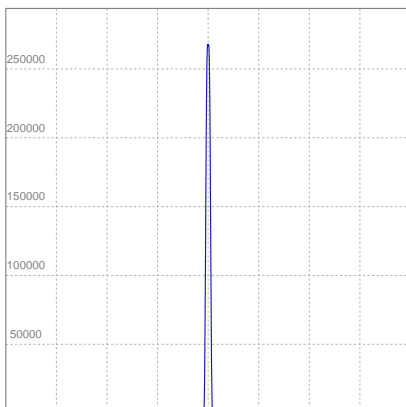
Beam angle 50%	Field angle 10%	Cut off angle 2,5%	Intensity ratio in 120° cone	Intensity ratio in 90° cone
4,4°	6,4°	7,3°	99,9%	99,9%



## BEAM INTENSITIES AND WIDTHS

Distance	1m	2m	3m	4m	5m	7,5m	10m	15m	20m	25m	30m	40m	50m
Distance	3,3ft	6,6ft	9,8ft	13,1ft	16,4ft	24,6ft	32,8ft	49,2ft	65,6ft	82ft	98,4ft	131,2ft	164ft
Lux	267193lx	66798lx	29688lx	16700lx	10688lx	4750lx	2672lx	1188lx	668lx	428lx	297lx	167lx	107lx
Footcand.	24823fcd	6206fcd	2758fcd	1551fcd	993fcd	441fcd	248fcd	110fcd	62fcd	40fcd	28fcd	16fcd	10fcd
Beam wid.	0,1m	0,2m	0,2m	0,3m	0,4m	0,6m	0,8m	1,2m	1,5m	1,9m	2,3m	3,1m	3,9m
Beam wid.	0,3ft	0,5ft	0,8ft	1ft	1,3ft	1,9ft	2,5ft	3,8ft	5,1ft	6,3ft	7,6ft	10,1ft	12,7ft

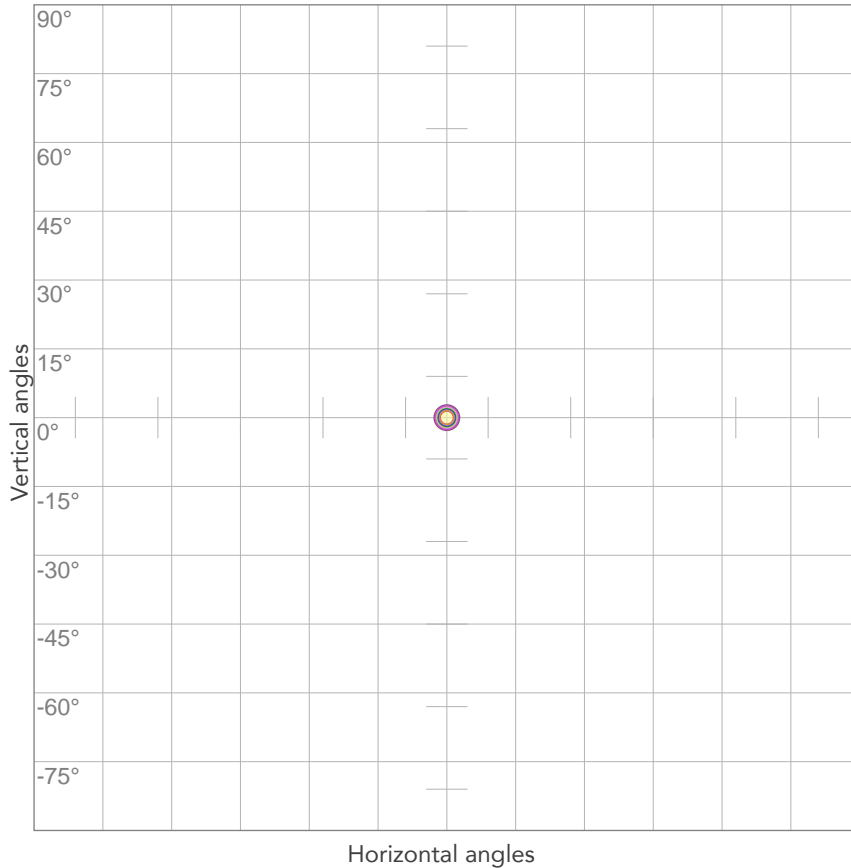
## LINEAR DISTRIBUTION DIAGRAM



## ELECTRICAL SPECIFICATIONS

Input voltage	Input current	Input power	Effeciency
225V	0,959A	192,1W	7lm/W

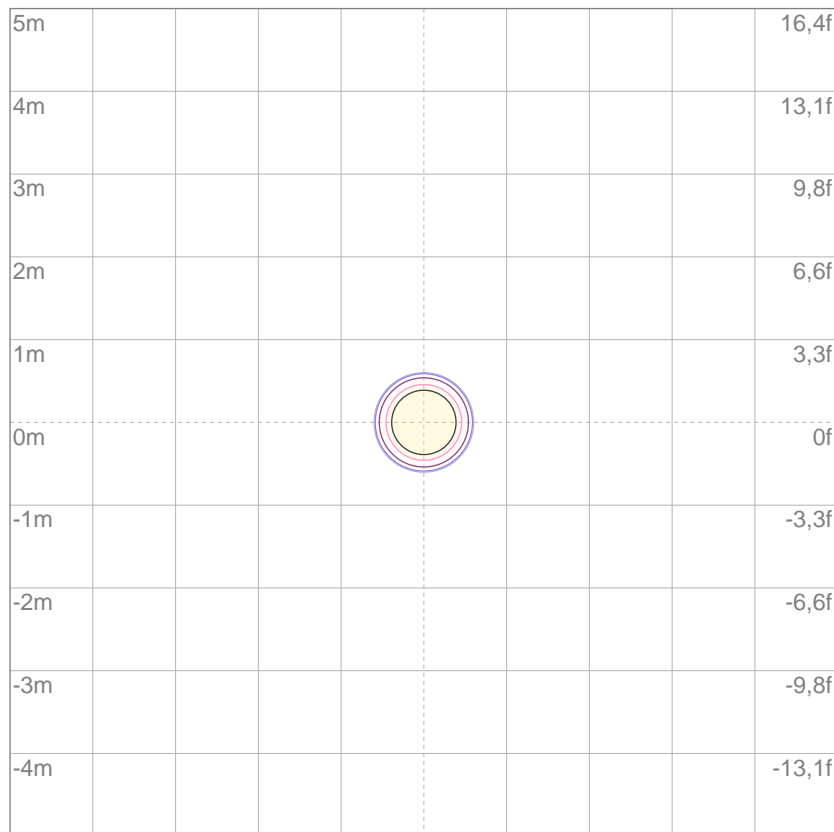
## ISO CANDELA DIAGRAM



10%	26719 cd
20%	53439 cd
30%	80158 cd
40%	106877 cd
50%	133596 cd
60%	160316 cd
70%	187035 cd
80%	213754 cd

**Conditions:**  
 Number of c-planes: 2  
 Candela at center: 267193 cd

## ISO LUX DIAGRAM



3%	80,2 lx
5%	134 lx
10%	267 lx
30%	802 lx
50%	1336 lx

**Conditions:**  
 Number of c-planes: 2  
 Lux at center: 2672 lx

*Lux distribution on a surface when lamp is mounted at 10 meters from the surface.*

Mounting height: 10 meters (33 feet)



Total lumen output:

510 lm

Peak candela output:

4014 cd

**PRODUCT NAME:**

PANORAMAIPWBX

**MEASUREMENT CONDITIONS:**

Beam angle:

Max Zoom

Target:

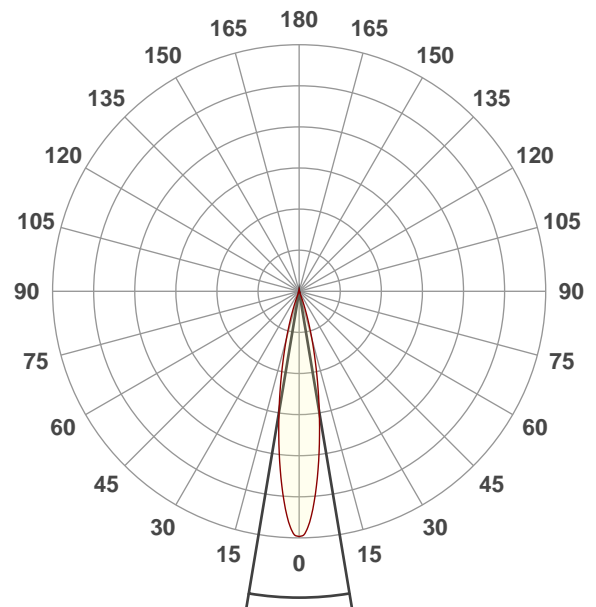
Blue

Operator:

Paolo Carvone

Date and time:

10/09/2020 11:51:58

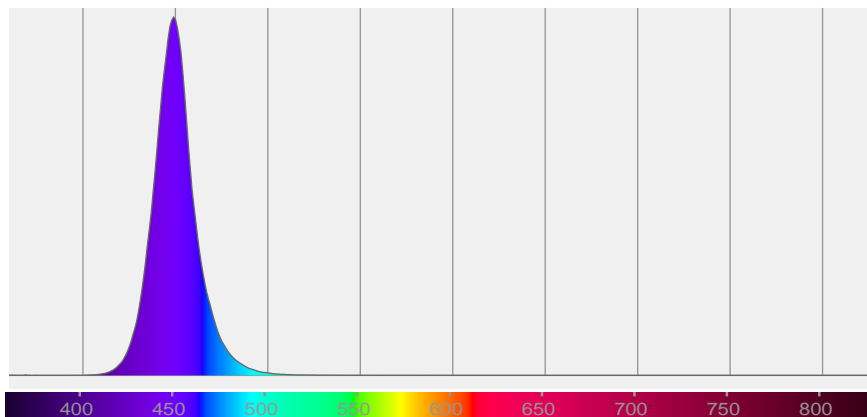


Beam angle 50%: 18,9°

Field angle 10%: 35,6°

Cut off angle 2.5%: 42,4°

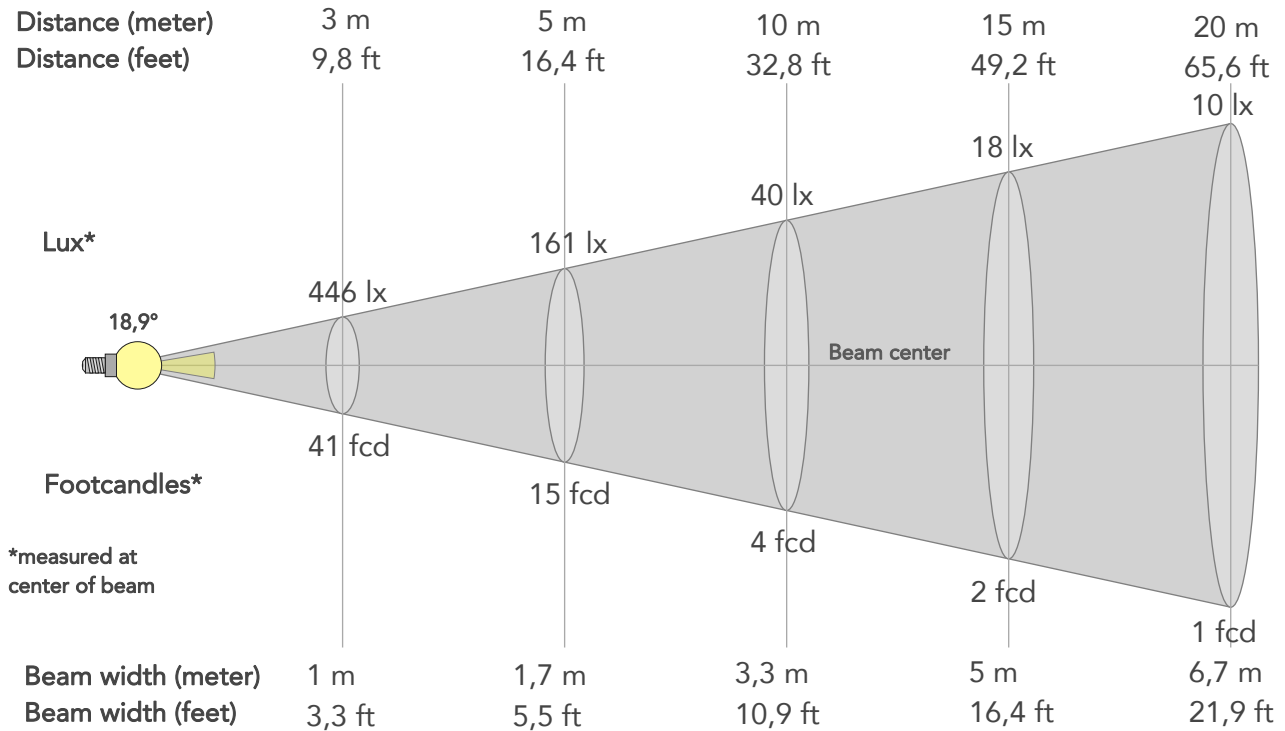
Spectra



# BEAM DETAILS



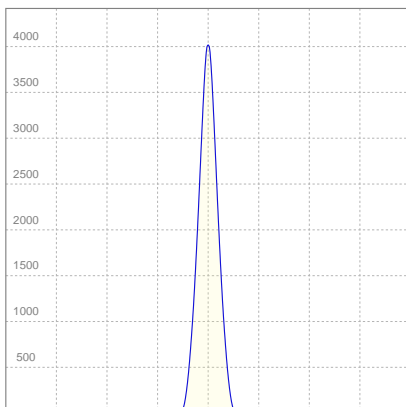
Beam angle 50%	Field angle 10%	Cut off angle 2,5%	Intensity ratio in 120° cone	Intensity ratio in 90° cone
18,9°	35,6°	42,4°	99,7%	99,1%



## BEAM INTENSITIES AND WIDTHS

Distance	1m	2m	3m	4m	5m	7,5m	10m	15m	20m	25m	30m	40m	50m
Distance	3,3ft	6,6ft	9,8ft	13,1ft	16,4ft	24,6ft	32,8ft	49,2ft	65,6ft	82ft	98,4ft	131,2ft	164ft
Lux	4014lx	1004lx	446lx	251lx	161lx	71lx	40lx	18lx	10lx	6lx	4lx	3lx	2lx
Footcand.	373fcd	93fcd	41fcd	23fcd	15fcd	7fcd	4fcd	2fcd	1fcd	1fcd	0fcd	0fcd	0fcd
Beam wid.	0,3m	0,7m	1m	1,3m	1,7m	2,5m	3,3m	5m	6,7m	8,3m	10m	13,3m	16,7m
Beam wid.	1,1ft	2,2ft	3,3ft	4,4ft	5,5ft	8,2ft	10,9ft	16,4ft	21,9ft	27,3ft	32,8ft	43,7ft	54,7ft

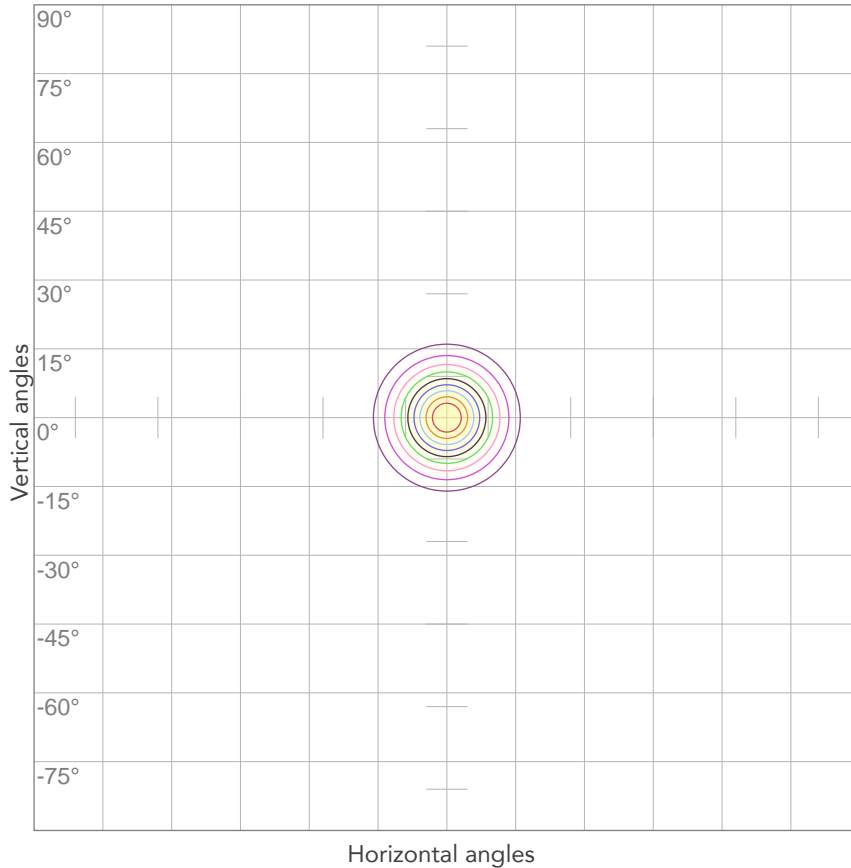
## LINEAR DISTRIBUTION DIAGRAM



## ELECTRICAL SPECIFICATIONS

Input voltage	Input current	Input power	Effeciency
223V	0,917A	182,5W	3lm/W

## ISO CANDELA DIAGRAM



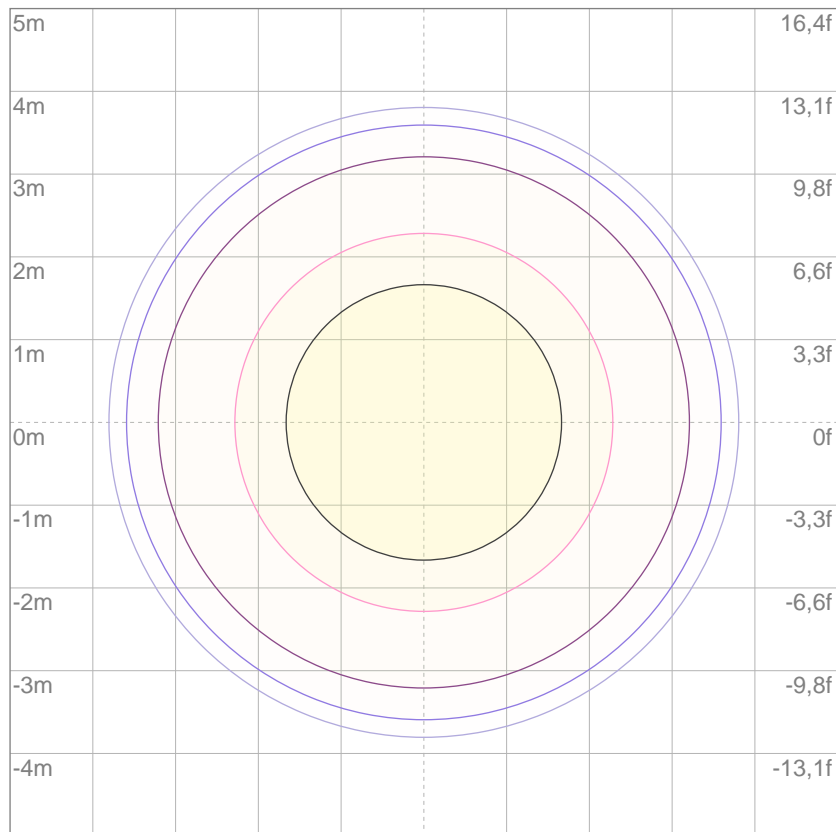
10%	401 cd
20%	803 cd
30%	1204 cd
40%	1606 cd
50%	2007 cd
60%	2409 cd
70%	2810 cd
80%	3212 cd

Conditions:

Number of c-planes: 2

Candela at center: 4014 cd

## ISO LUX DIAGRAM



3%	1,20 lx
5%	2,01 lx
10%	4,01 lx
30%	12,0 lx
50%	20,1 lx

Conditions:

Number of c-planes: 2

Lux at center: 40,1 lx

*Lux distribution on a surface when lamp is mounted at 10 meters from the surface.*

Mounting height: 10 meters (33 feet)





Total lumen output:

383 lm

Peak candela output:

72527 cd

**PRODUCT NAME:**

PANORAMAIPWBX

**MEASURAMENT CONDITIONS:**

Beam angle:

Min Zoom

Target:

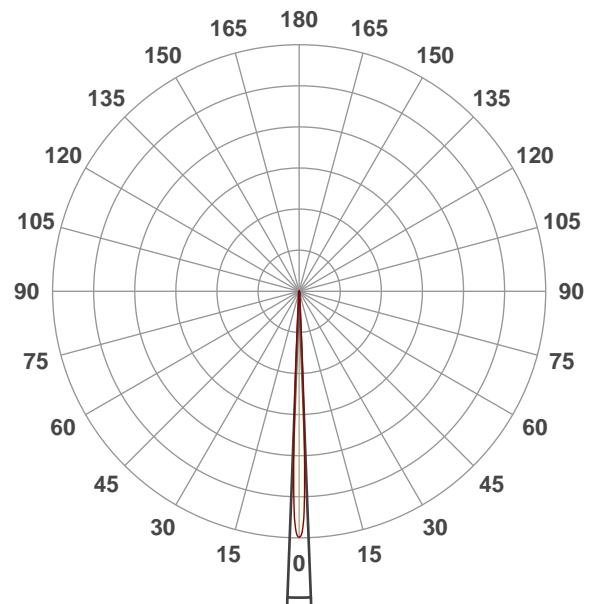
Blue

Operator:

Paolo Carvone

Date and time:

10/09/2020 12:18:11

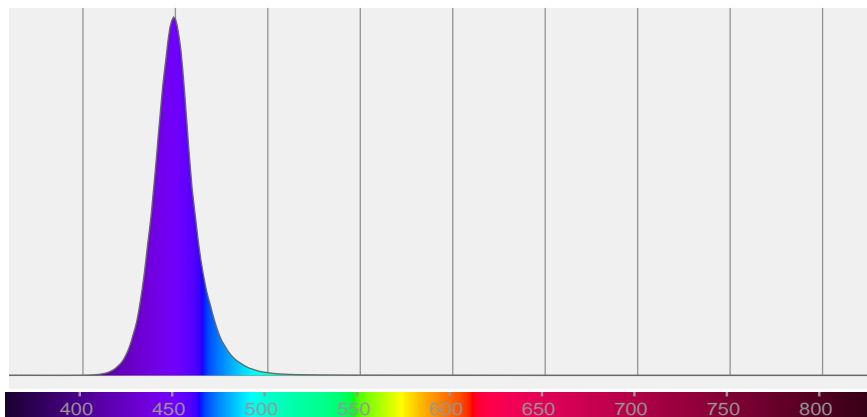


Beam angle 50%: 4,4°

Field angle 10%: 6,3°

Cut off angle 2.5%: 7,3°

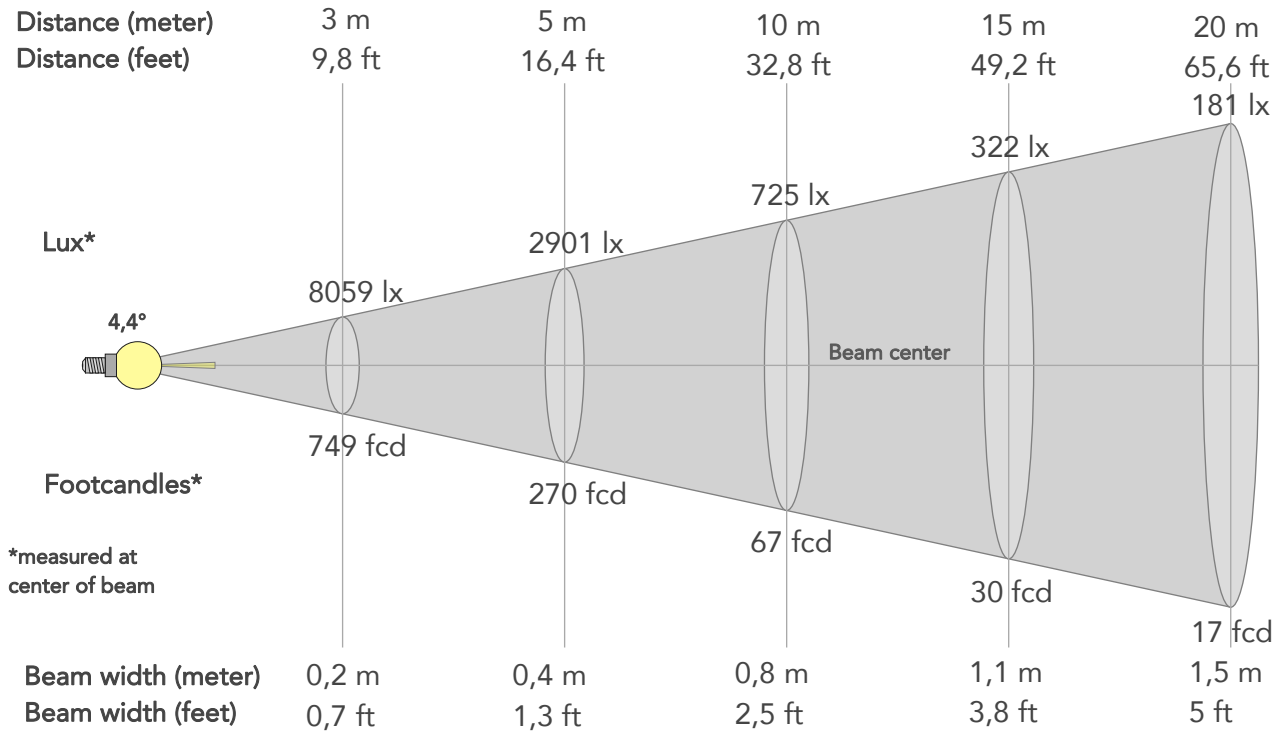
Spectra



# BEAM DETAILS



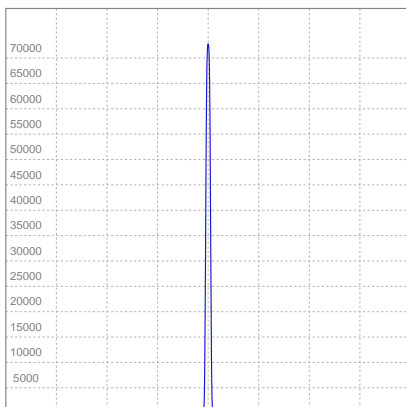
Beam angle 50%	Field angle 10%	Cut off angle 2,5%	Intensity ratio in 120° cone	Intensity ratio in 90° cone
4,4°	6,3°	7,3°	99,0%	98,8%



## BEAM INTENSITIES AND WIDTHS

Distance	1m	2m	3m	4m	5m	7,5m	10m	15m	20m	25m	30m	40m	50m
Distance	3,3ft	6,6ft	9,8ft	13,1ft	16,4ft	24,6ft	32,8ft	49,2ft	65,6ft	82ft	98,4ft	131,2ft	164ft
Lux	72527lx	18132lx	8059lx	4533lx	2901lx	1289lx	725lx	322lx	181lx	116lx	81lx	45lx	29lx
Footcand.	6738fcd	1685fcd	749fcd	421fcd	270fcd	120fcd	67fcd	30fcd	17fcd	11fcd	7fcd	4fcd	3fcd
Beam wid.	0,1m	0,2m	0,2m	0,3m	0,4m	0,6m	0,8m	1,1m	1,5m	1,9m	2,3m	3,1m	3,8m
Beam wid.	0,3ft	0,5ft	0,7ft	1ft	1,3ft	1,9ft	2,5ft	3,8ft	5ft	6,3ft	7,5ft	10ft	12,6ft

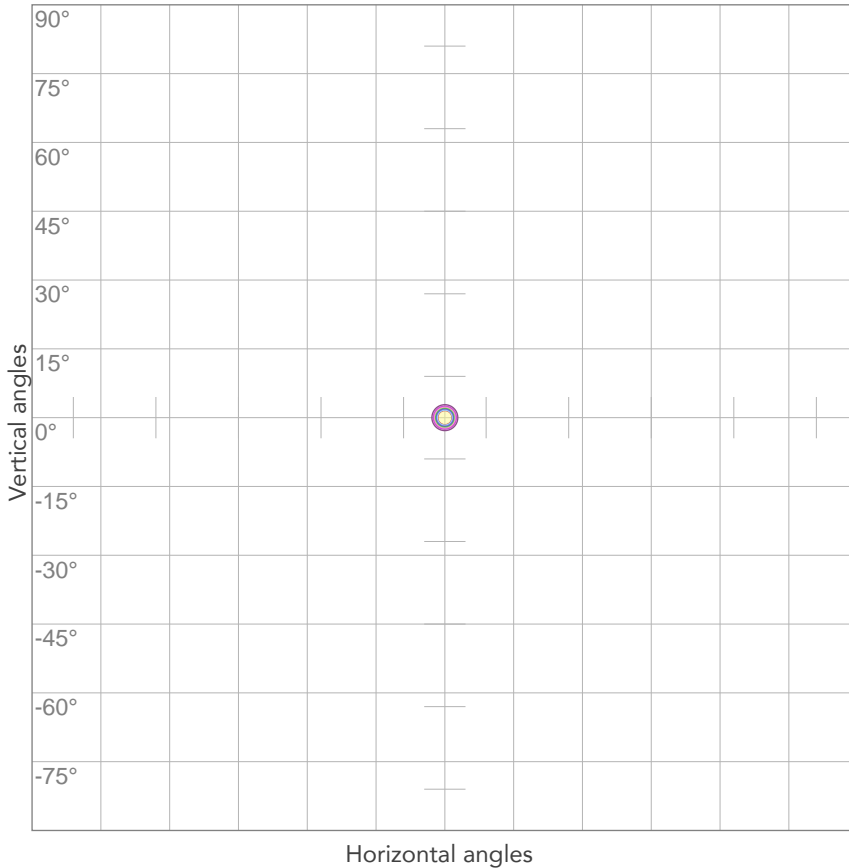
## LINEAR DISTRIBUTION DIAGRAM



## ELECTRICAL SPECIFICATIONS

Input voltage	Input current	Input power	Effeciency
225V	0,910A	182W	2lm/W

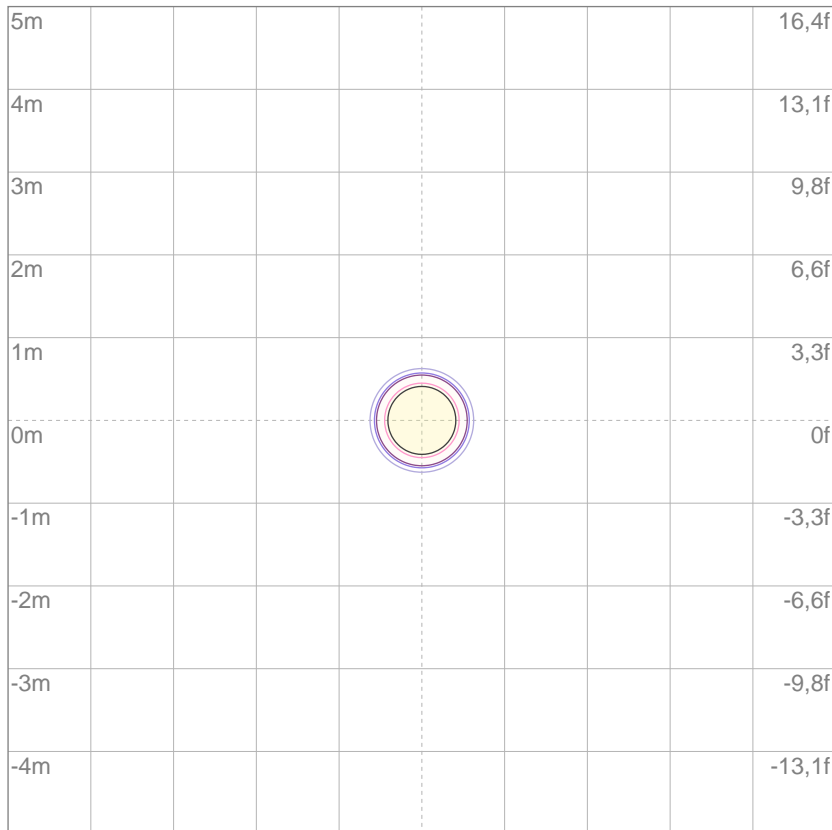
## ISO CANDELA DIAGRAM



10%	7253 cd
20%	14505 cd
30%	21758 cd
40%	29011 cd
50%	36264 cd
60%	43516 cd
70%	50769 cd
80%	58022 cd

Conditions:  
 Number of c-planes: 2  
 Candela at center: 72527 cd

## ISO LUX DIAGRAM



3%	21,8 lx
5%	36,3 lx
10%	72,5 lx
30%	218 lx
50%	363 lx

Conditions:  
 Number of c-planes: 2  
 Lux at center: 725 lx

*Lux distribution on a surface when lamp is mounted at 10 meters from the surface.*

Mounting height: 10 meters (33 feet)



Total lumen output:

3273 lm

Peak candela output:

23346 cd

**PRODUCT NAME:**

PANORAMAIPWBX

**MEASUREMENT CONDITIONS:**

Beam angle:

Max Zoom

Target:

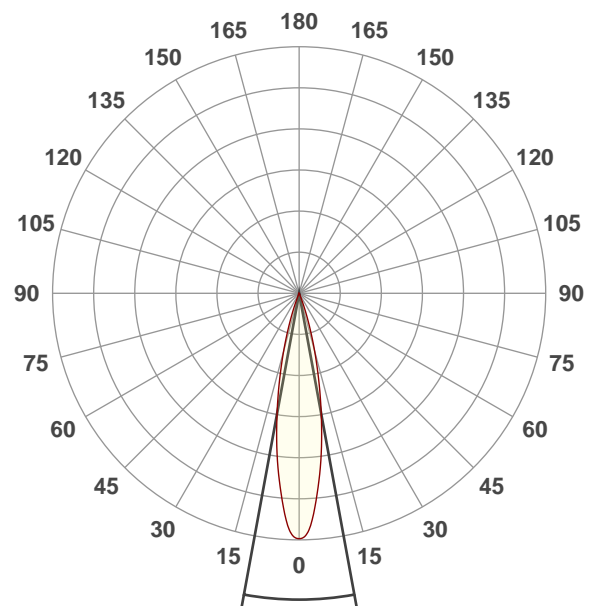
White

Operator:

Paolo Carvone

Date and time:

10/09/2020 11:53:52

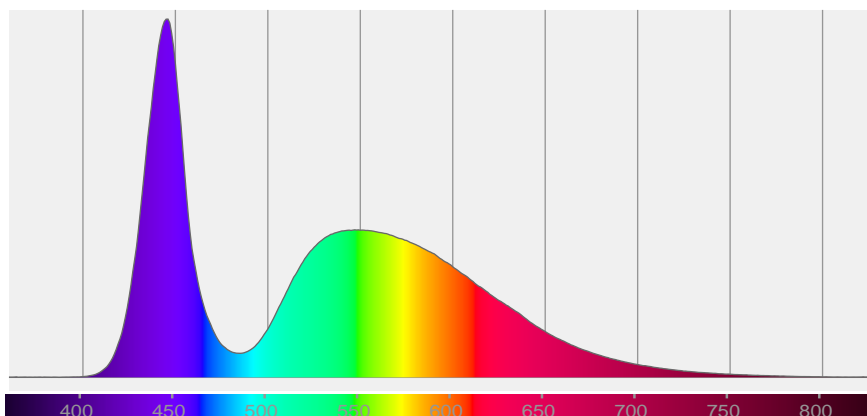


Beam angle 50%: 20,8°

Field angle 10%: 37,1°

Cut off angle 2.5%: 43,2°

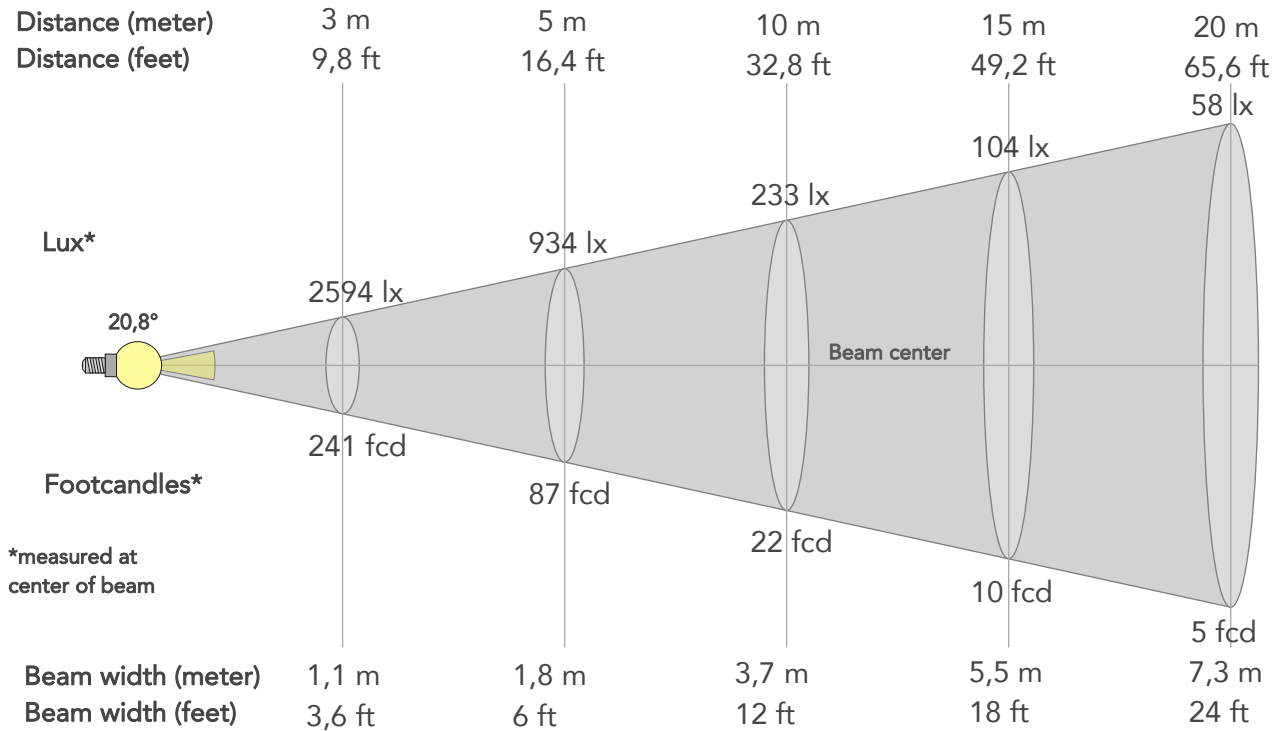
Spectra



# BEAM DETAILS



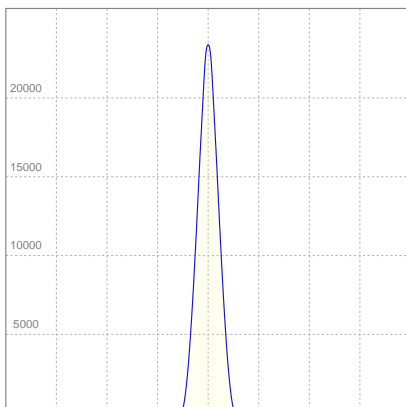
Beam angle 50%	Field angle 10%	Cut off angle 2,5%	Intensity ratio in 120° cone	Intensity ratio in 90° cone
20,8°	37,1°	43,2°	100,0%	99,9%



## BEAM INTENSITIES AND WIDTHS

Distance	1m	2m	3m	4m	5m	7,5m	10m	15m	20m	25m	30m	40m	50m
Distance	3,3ft	6,6ft	9,8ft	13,1ft	16,4ft	24,6ft	32,8ft	49,2ft	65,6ft	82ft	98,4ft	131,2ft	164ft
Lux	23346lx	5836lx	2594lx	1459lx	934lx	415lx	233lx	104lx	58lx	37lx	26lx	15lx	9lx
Footcand.	2169fcd	542fcd	241fcd	136fcd	87fcd	39fcd	22fcd	10fcd	5fcd	3fcd	2fcd	1fcd	1fcd
Beam wid.	0,4m	0,7m	1,1m	1,5m	1,8m	2,7m	3,7m	5,5m	7,3m	9,2m	11m	14,7m	18,3m
Beam wid.	1,2ft	2,4ft	3,6ft	4,8ft	6ft	9ft	12ft	18ft	24ft	30,1ft	36,1ft	48,1ft	60,1ft

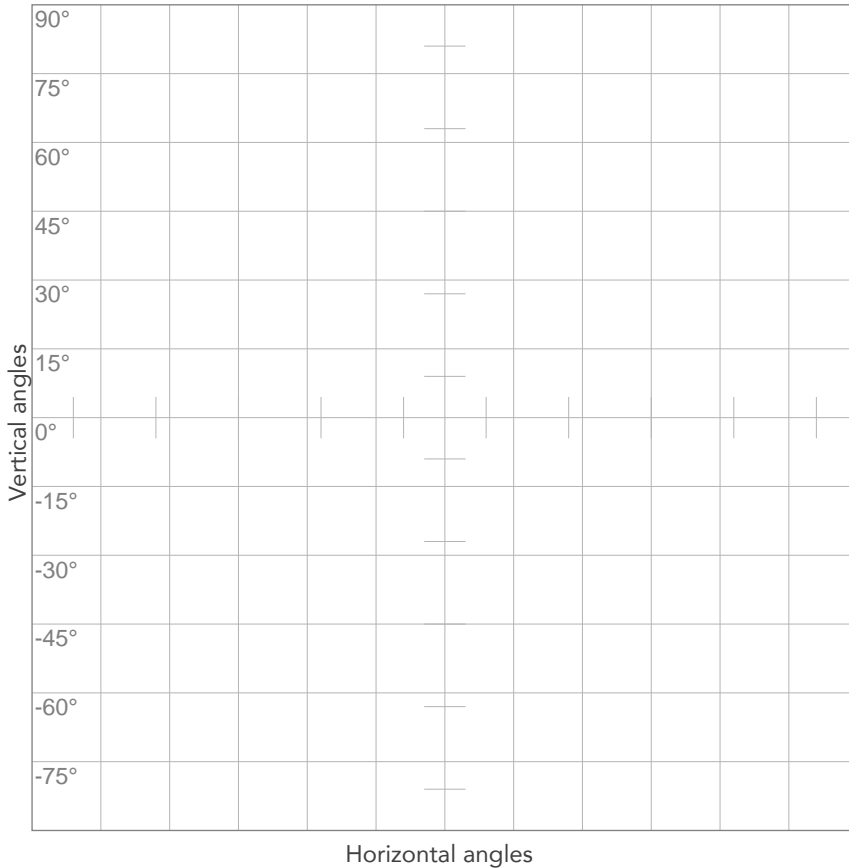
## LINEAR DISTRIBUTION DIAGRAM



## ELECTRICAL SPECIFICATIONS

Input voltage	Input current	Input power	Effeciency
224V	0,941A	187,9W	17lm/W

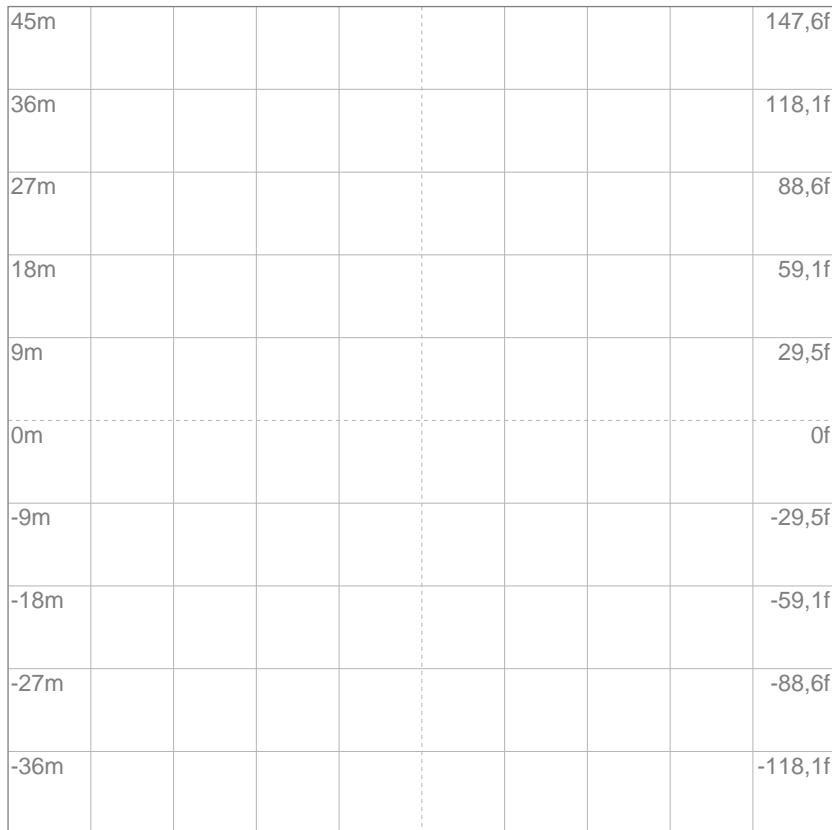
## ISO CANDELA DIAGRAM



10%	2335 cd
20%	4669 cd
30%	7004 cd
40%	9338 cd
50%	11673 cd
60%	14007 cd
70%	16342 cd
80%	18676 cd

Conditions:  
 Number of c-planes: 2  
 Candela at center: 23346 cd

## ISO LUX DIAGRAM



3%	7,00 lx
5%	11,7 lx
10%	23,3 lx
30%	70,0 lx
50%	117 lx

Conditions:  
 Number of c-planes: 2  
 Lux at center: 233 lx

*Lux distribution on a surface when lamp is mounted at 10 meters from the surface.*

Mounting height: 10 meters (33 feet)



Total lumen output:

2355 lm

Peak candela output:

460134 cd

PRODUCT NAME:

PANORAMAIPWBX

MEASUREMENT CONDITIONS:

Beam angle:

Min Zoom

Target:

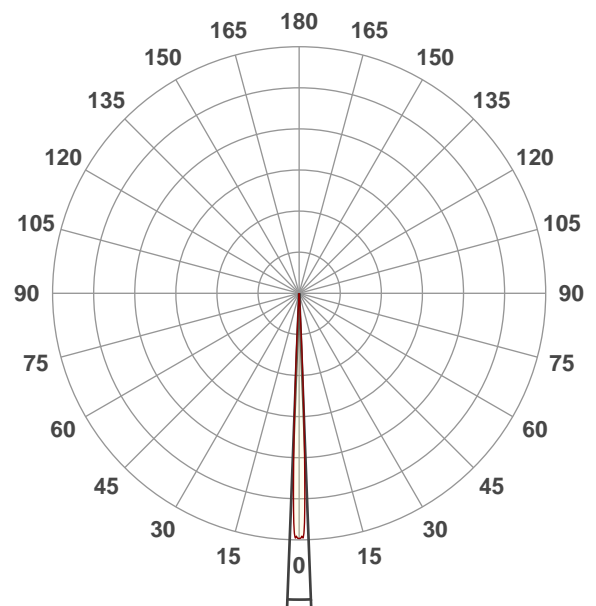
White

Operator:

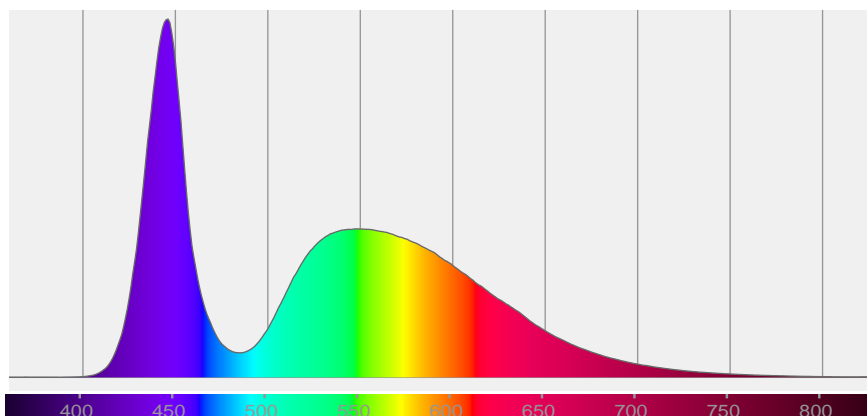
Paolo Carvone

Date and time:

10/09/2020 12:20:03



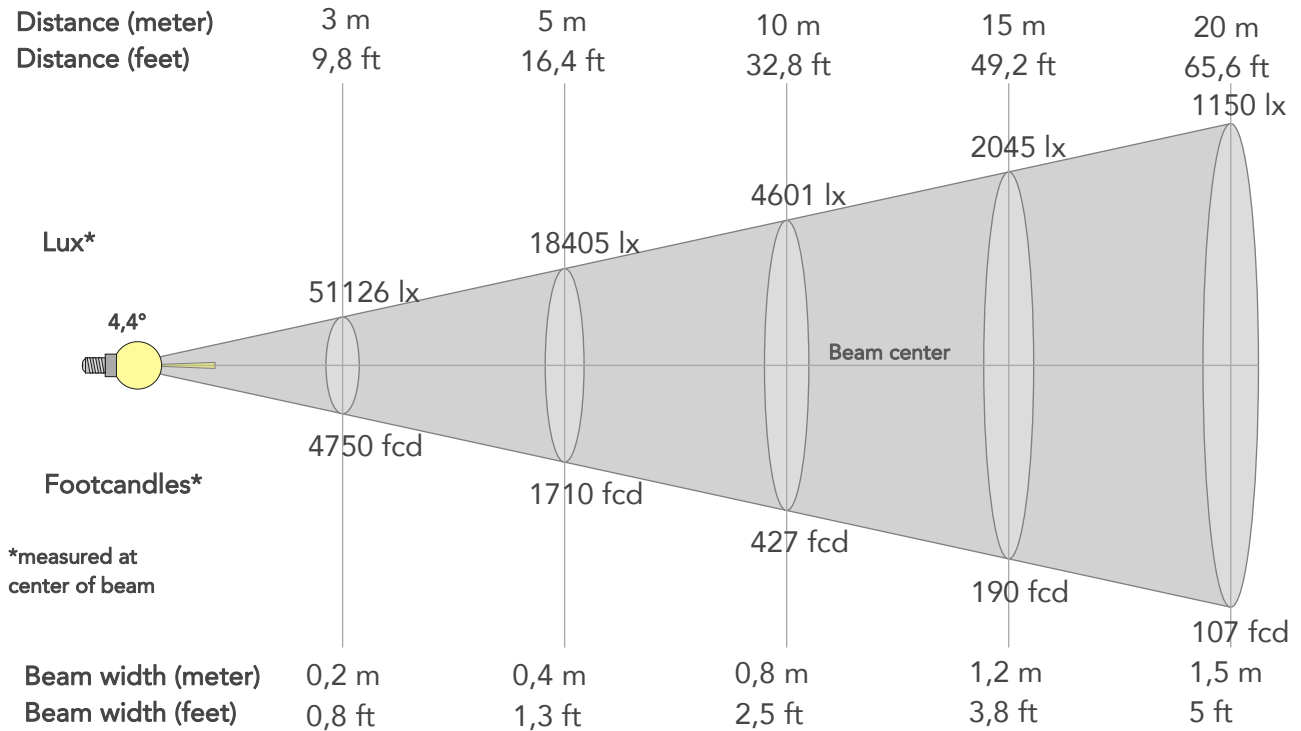
Spectra



# BEAM DETAILS



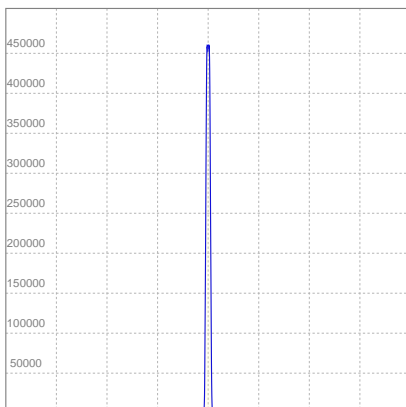
Beam angle 50%	Field angle 10%	Cut off angle 2,5%	Intensity ratio in 120° cone	Intensity ratio in 90° cone
4,4°	6,1°	6,8°	100,0%	99,9%



## BEAM INTENSITIES AND WIDTHS

Distance	1m	2m	3m	4m	5m	7,5m	10m	15m	20m	25m	30m	40m	50m
Distance	3,3ft	6,6ft	9,8ft	13,1ft	16,4ft	24,6ft	32,8ft	49,2ft	65,6ft	82ft	98,4ft	131,2ft	164ft
Lux	460134lx	115034lx	51126lx	28758lx	18405lx	8180lx	4601lx	2045lx	1150lx	736lx	511lx	288lx	184lx
Footcand.	42748fcd	10687fcd	4750fcd	2672fcd	1710fcd	760fcd	427fcd	190fcd	107fcd	68fcd	47fcd	27fcd	17fcd
Beam wid.	0,1m	0,2m	0,2m	0,3m	0,4m	0,6m	0,8m	1,2m	1,5m	1,9m	2,3m	3,1m	3,8m
Beam wid.	0,3ft	0,5ft	0,8ft	1ft	1,3ft	1,9ft	2,5ft	3,8ft	5ft	6,3ft	7,5ft	10,1ft	12,6ft

## LINEAR DISTRIBUTION DIAGRAM

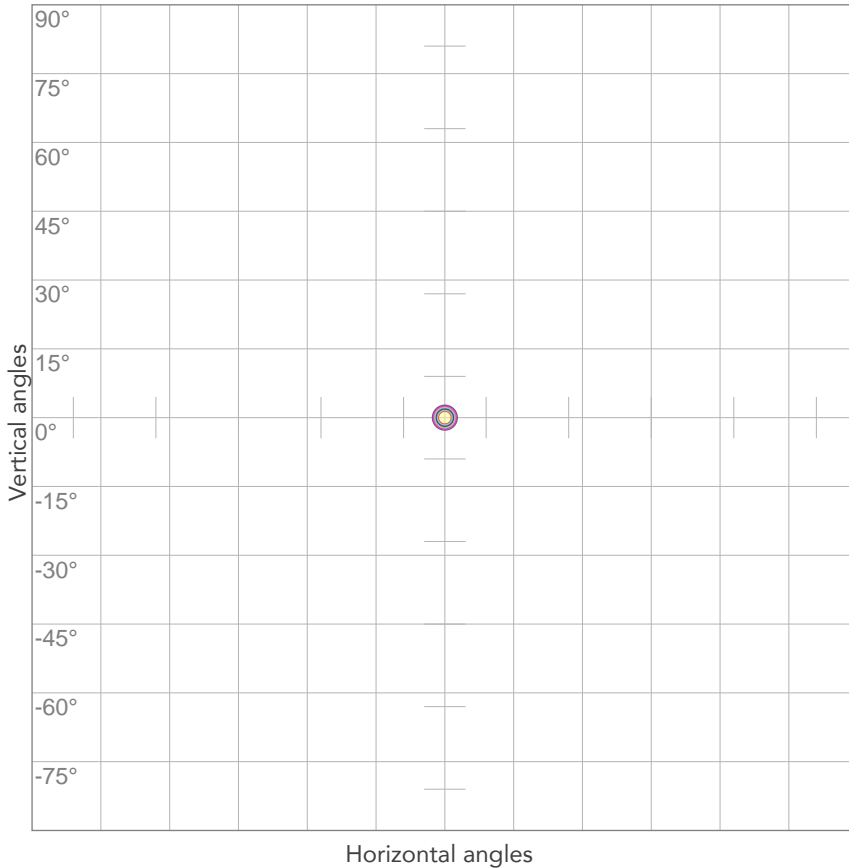


## ELECTRICAL SPECIFICATIONS

Input voltage	Input current	Input power	Effeciency
225V	0,938A	187,6W	13lm/W



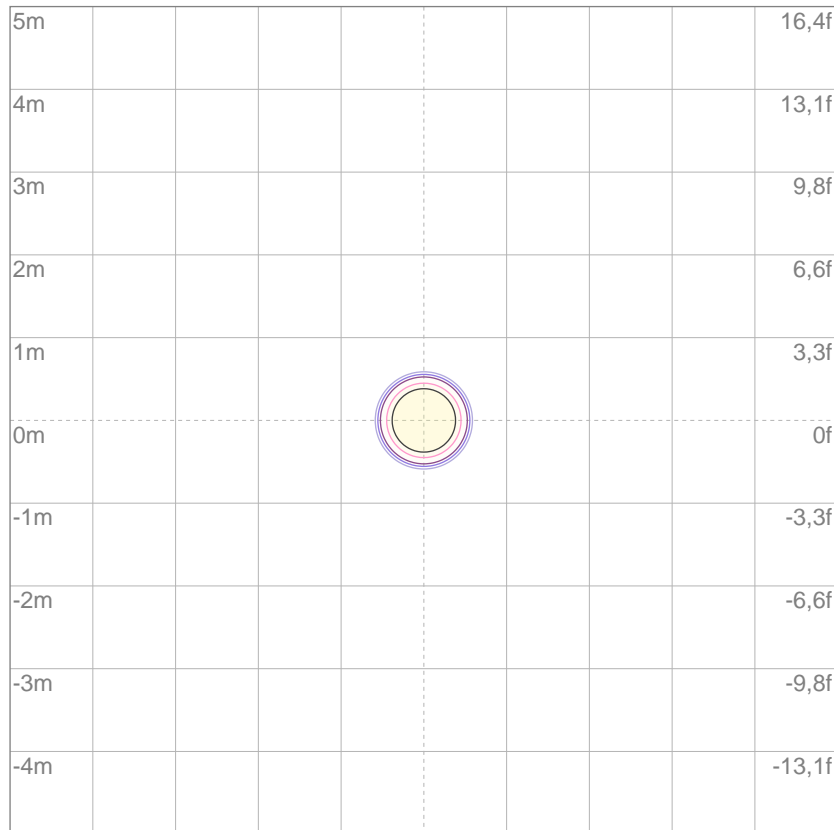
## ISO CANDELA DIAGRAM



10%	46013 cd
20%	92027 cd
30%	138040 cd
40%	184054 cd
50%	230067 cd
60%	276081 cd
70%	322094 cd
80%	368107 cd

Conditions:  
 Number of c-planes: 2  
 Candela at center: 460134 cd

## ISO LUX DIAGRAM



3%	138 lx
5%	230 lx
10%	460 lx
30%	1380 lx
50%	2301 lx

Conditions:  
 Number of c-planes: 2  
 Lux at center: 4601 lx

*Lux distribution on a surface when lamp is mounted at 10 meters from the surface.*

Mounting height: 10 meters (33 feet)