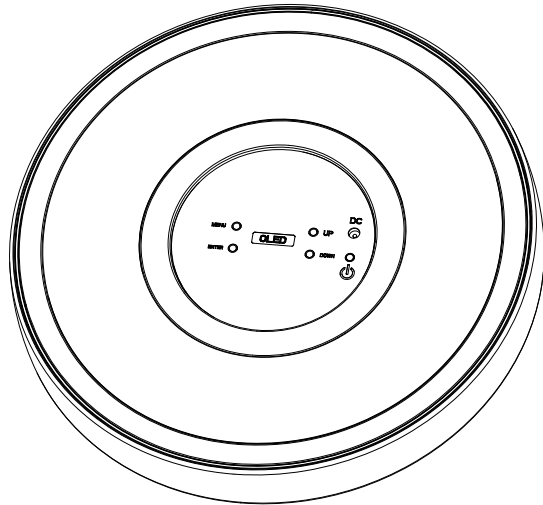


SMARTDISK

FULL COLOR AND PIXEL CONTROLLED
TABLE CENTER WITH BATTERY



USER MANUAL
MANUALE UTENT

All rights reserved by Music & Lights S.r.l. No part of this instruction manual may be reproduced in any form or by any means for any commercial use.

In order to improve the quality of products, Music&Lights S.r.l. reserves the right to modify the characteristics stated in this instruction manual at any time and without prior notice.
All revisions and updates are available in the 'manuals' section on site www.musiclights.it

TABLE OF CONTENTS**Safety**

General instructions	2
Warnings and installation precautions	2

1 Introduction

1.1 Description	3
1.2 Technical specifications	3
1.3 Operating elements and connections	5

2 Installation

2.1 Mounting	6
--------------------	---

3 Functions and settings

3.1 Operation	7
3.2 Basic setup	7
3.3 Recharge	7
3.4 Menu structure	8
3.5 DMX addressing	9
3.6 DMX mode	9
3.7 DMX configuration	9
3.8 Wireless setting	10
3.9 IR setup	10
3.10 Display setting	11
3.11 Reload default	11
3.12 White balance	11
3.13 Fixture information	11
3.14 Wireless operation	12
3.15 DMX channels	13

4 Maintenance

4.1 Maintenance and cleaning the unit	16
---------------------------------------------	----




WARNING! Before carrying out any operations with the unit, carefully read this instruction manual and keep it with care for future reference. It contains important information about the installation, usage and maintenance of the unit.



SAFETY

General instruction

- The products referred to in this manual conform to the European Community Directives and are therefore marked with **CE**.
- Supply voltage of this product is DC15V; never connect directly to AC100-240V. Leave servicing to skilled personnel only. Never make any modifications on the unit not described in this instruction manual, otherwise you will risk an electric shock.
- Connection of the power adapter must be made to a power supply system fitted with efficient earthing (Class I appliance according to standard EN 60598-1). It is, moreover, recommended to protect the supply lines of the units from indirect contact and/or shorting to earth by using appropriately sized residual current devices.
- The connection to the main network of electric distribution must be carried out by a qualified electrical installer. Check that the voltage correspond to those for which the unit is designed as given on the electrical data label.
- This unit is not for home use, only professional applications.
- Never use the fixture under the following conditions:
 - in places subject to vibrations or bumps;
 - in places subject to excessive humidity.
- Make certain that no inflammable liquids, water or metal objects enter the fixture.
- Do not dismantle or modify the fixture.
- All work must always be carried out by qualified technical personnel. Contact the nearest sales point for an inspection or contact the manufacturer directly.
- If the unit is to be put out of operation definitively, take it to a local recycling plant for a disposal which is not harmful to the environment. 

Warnings and installation precautions

- If this device will be operated in any way different to the one described in this manual, it may suffer damage and the guarantee becomes void. Furthermore, any other operation may lead to dangers like short circuit, burns, electric shock, etc.
- Before starting any maintenance work or cleaning the projector, cut off power from the main supply.
- Always additionally secure the projector with the safety rope. When carrying out any work, always comply scrupulously with all the regulations (particularly regarding safety) currently in force in the country in which the fixture's being used.
- Install the fixture in a well ventilated place.
- Keep any inflammable material at a safe distance from the fixture.
- Shields, lenses or ultraviolet screens shall be changed if they have become damaged to such an extent that their effectiveness is impaired.
- The lamp (LED) shall be changed if it has become damaged or thermally deformed.
- Never look directly at the light beam. Please note that fast changes in lighting, e. g. flashing light, may trigger epileptic seizures in photosensitive persons or persons with epilepsy.
- Do not touch the product's housing when operating because it may be very hot.
- This product was designed and built strictly for the use indicated in this documentation. Any other use, not expressly indicated here, could compromise the good condition/operation of the product and/or be a source of danger.
- We decline any liability deriving from improper use of the product

- 1 - INTRODUCTION

1.1 DESCRIPTION

SMARTDISK is an IP rated, wireless battery powered RGBW LED table centre. Designed for both branding events and adding a controllable element to a table - it adds an extra dimension to any event design.

1.2 TECHNICAL SPECIFICATIONS

LIGHT SOURCE

- Source: 39x0.25W RGB + warm white
- CT: 2800~6000K
- Source life expectancy: >30.000 h

OPTICS

- Beam angle: 360° to light up tables and 25° to light up objects on top

COLOUR SYSTEM

- Colour mixing: RGBW/FC
- Macros: several pre-build pixel macros with adjustable speed

DYNAMIC EFFECTS

- FX generator: adjustable foreground/background colour, index, speed, direction
- Static colour mode: selection of static colour
- Manual colour mode: manual adjustment of colour

BODY

- Body: sturdy polycarbonate body
- Body colour: white

CONTROL

- Protocols: W-DMX
- DMX channels: 4 / 8 / 17 / 165channel
- Pixel control: pixel2pixel control
- W-DMX: included, wireless solution receiver
- Display: LCD display
- Firmware upgrade: yes, via USB-DMX interface (UPBOX1) not included
- IR: infrared sensor controlled by remote

ELECTRONICS

- Dimmer: linear 0~100% electronic dimmer
- Dimmer curves: different dimming curves available
- Strobe / shutter: 1 - 30 Hz, electronic
- Operating temperature: -10° ~ +45°

ELECTRICAL

- Power consumption (at 230V): 19.9W

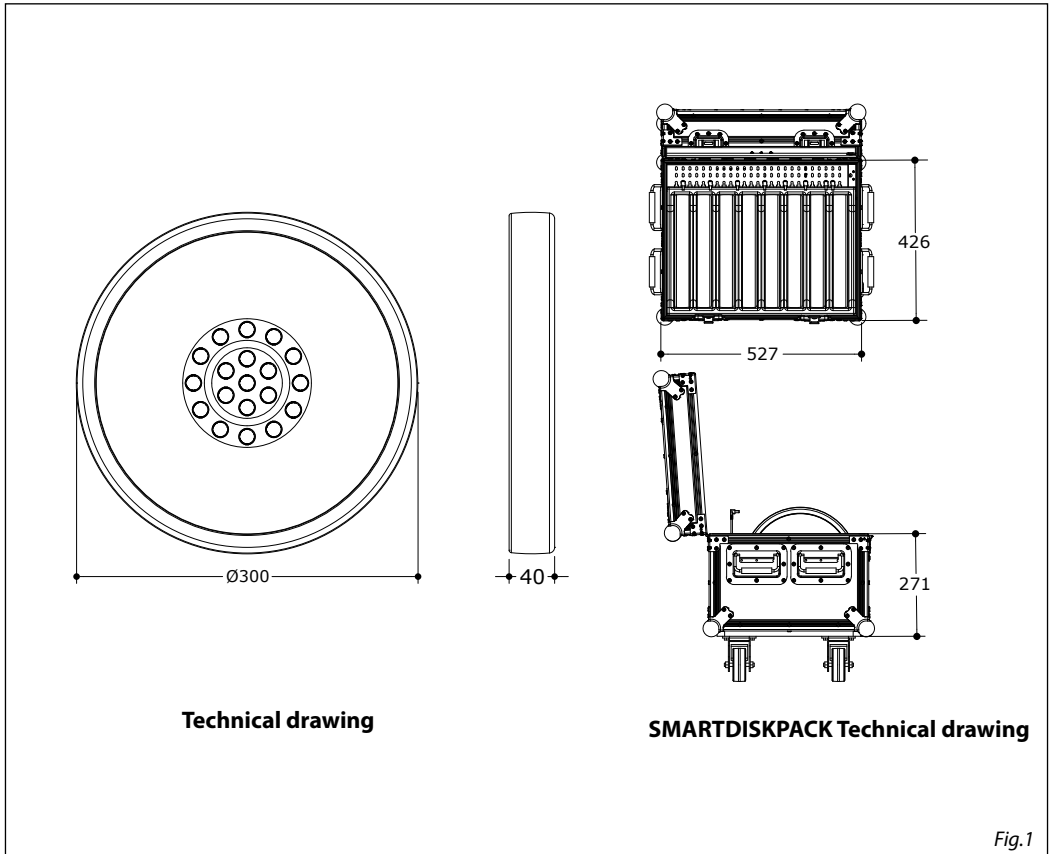
BATTERY

- Battery: 4.4 Ah - 11.1V lithium

- Estimated battery life in colour change mode up to: 15h
- Estimated battery life in single colour mode up to: 24h
- Estimated battery life in full-mode up to: 8h
- Re-charge connection: power cable
- Re-charge time: 5h/max
- Battery status: shown on display

PHYSICAL

- Data connection: W-DMX receiver
- IP rating: 54
- Dimensions (WxHxD): 300x40x300mm
- Weight: 1.62kg



1.3 OPERATING ELEMENTS AND CONNECTIONS

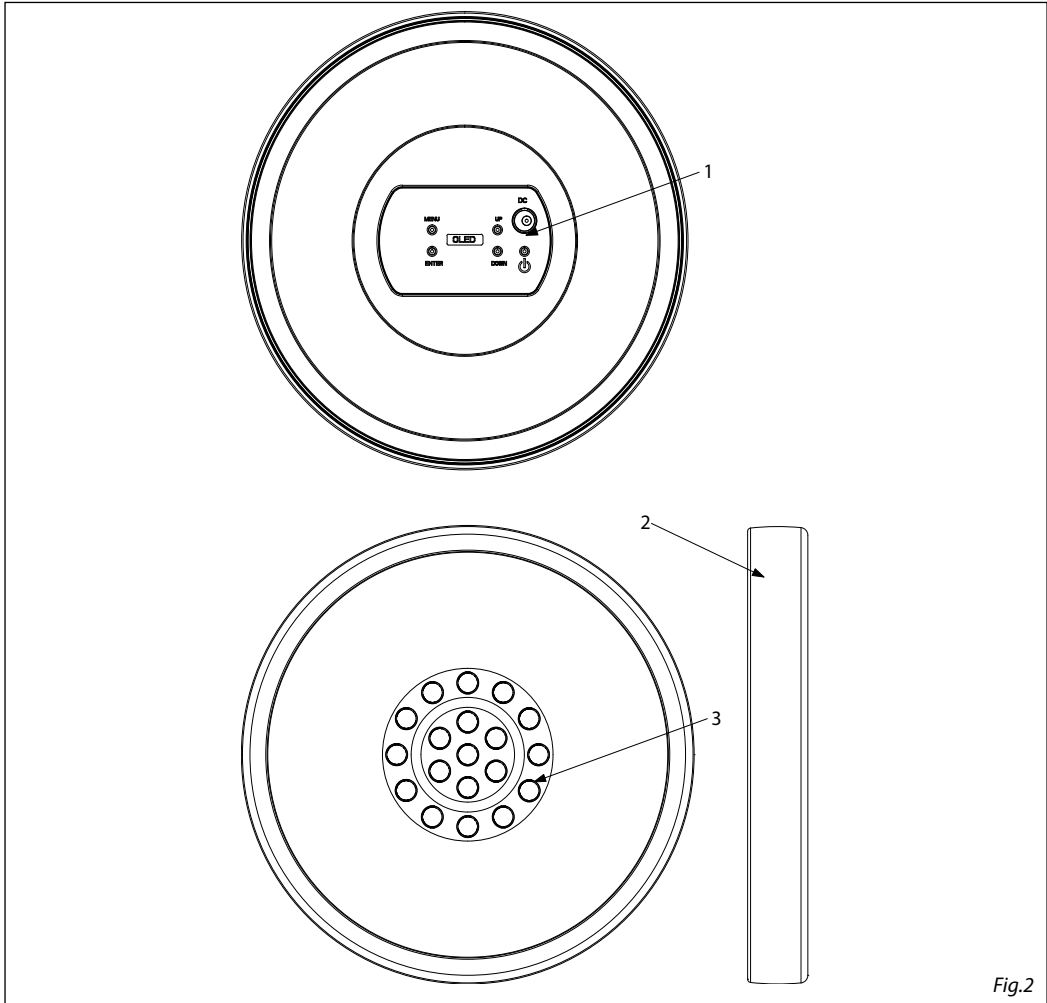


Fig.2

1. Display OLED with display and 4 button used to access the control panel functions and manage them.
2. Side LED
3. Top LED

- 2 - INSTALLATION

2.1 MOUNTING

SMARTDISK may be set up on a solid and even surface. The mounting place must be of sufficient stability and be able to support a weight of 10 times of the unit's weight.

When carrying out any installation, always comply scrupulously with all the regulations (particularly regarding safety) currently in force in the country in which the fixture's being used.

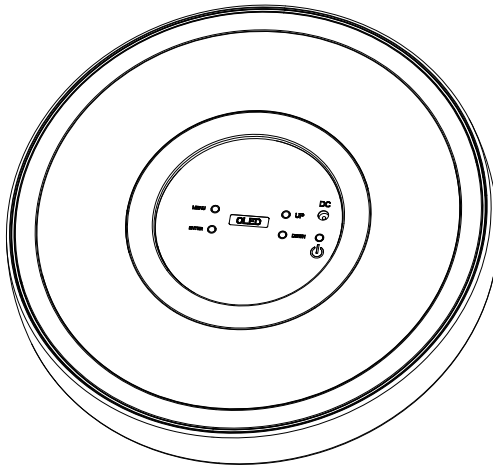


Fig.3

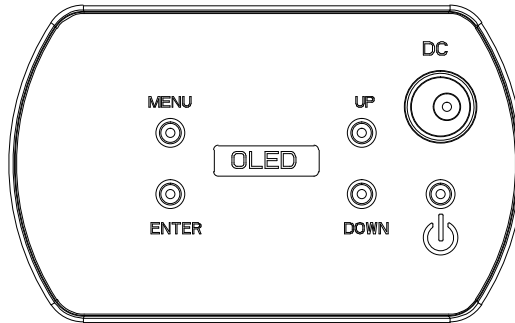
- 3 - FUNCTIONS AND SETTINGS

3.1 OPERATION

Switch on the SMARTDISK with the power switch. The unit is ready for operation and can be operated via a DMX controller or it independently performs its show program in succession.
After operation, switch off the unit with the power switch.

3.2 BASIC SETUP

The SMARTDISK has a OLED display and 4 buttons for access to the functions of the control panel (fig. 5).



MENU	ENTER	UP	DOWN
Used to access the menu or to return a previous menu option	Used to select and store the current menu or confirm the current function value or option within a menu	Button to select the values in ascending order of the function	Button to select the values in descending order of the function

Fig.4 - Functions of the buttons

3.3 RECHARGE

To recharge the SMARTDISK:

- connect the unit to the battery charger using the input on the bottom of the TOP unit
- connect the charger to an electrical socket to start charging the battery

NOTE - Battery life: 8 hours 30 minutes with full white operation, charging time: max 5 hours.

3.4 MENU STRUCTURE

MENU	
1	CONNECT
	⇒ DMX Address ⇒ 001 - 503
	⇒ DMX mode ⇒ EASY 4 Ch BASIC 8 Ch STANDARD 17 Ch EXTENDED 165 Ch
	⇒ Wireless ⇒ Receive ⇒ On Off Reset Connect ⇒ No Yes
⇒ IR Setting ⇒ On Off	
2	SETUP
	⇒ Screen ⇒ Backlight ⇒ On 10s 20s 30s ⇒ Key lock ⇒ No Yes
3	ADVANCED
	⇒ Dimmer mode ⇒ Off Dimmer 1 Dimmer 2 Dimmer 3
	⇒ White Balance ⇒ Off Adjust ⇒ Red ⇒ 125 - 255 Green ⇒ 125 - 255 Blue ⇒ 125 - 255 White ⇒ 125 - 255
	⇒ Factory Reload ⇒ No Yes
4	INFORMATION
	⇒ Fixture time ⇒ 9999 H Version ⇒ V 1.0
5	STAND ALONE
⇒ Effects ⇒ Effect1 ⇒ Speed 0~100 Background Foreground	

	⇒ Effect	⇒ Speed 0~100
		Background
		Foreground
⇒ Static Preset	⇒ Side	black, red, deep orange, light orange, yellow, green, sea green, aquamarine, cyan, blue, violet, purple, magenta, white, white all, warm white, cold white
	⇒ Top	
⇒ Manual Color	⇒ Side	⇒ Red (0 - 255)
	⇒ Top	⇒ Green (0 - 255)
		Blue (0 - 255)
		White (0 - 255)

3.5 DMX ADDRESSING

To be able to operate the SMARTDISK with a light controller, set the unit DMX start address for the first DMX channel. To set the start address refer to following procedure:

- Use the UP/DOWN button until the display reads **[DMX Address]** and then press the ENTER button to confirm
- Press the UP/DOWN button to select the value [**d 1-509**] and then press the ENTER button.

If e. g. address 33 on the controller is provided for controlling the function of the first DMX channel, adjust the start address 33 on the SMARTDISK.

The other functions of the light effect panel are then automatically assigned to the following addresses. An example with the start address 33 is shown in the page 13.

DMX Channels number	Start address (example)	Busy DMX address	Next possible start address for unit n°1	Next possible start address for unit n°2	Next possible start address for unit n°3
4	33	33-36	37	41	45

4 channels DMX configuration example

3.6 DMX MODE

To enter the DMX mode, follow these steps:

- Press the ENTER button to access the main menu.
- Press the UP/DOWN button to scroll the menu, select the **Connect** icon, then press the ENTER button to enter the next menu.
- Press the UP/DOWN button to scroll through the menu, select the **DMX Address** and press the ENTER key.
- Press the arrow keys to select the desired value (**001-512**).
- Press the ENTER key to confirm the setting.
- Press the MENU button repeatedly to exit the menu and save changes.

3.7 DMX CONFIGURATION

The SMARTDISK has 5 DMX channel configurations which can be accessed from the control panel.

- Press the ENTER button to access the main menu.
- Press the UP/DOWN button to scroll the menu, select the **Set** icon, then press the ENTER button to enter the next menu.
- Press the UP/DOWN button to scroll through the menu, select **Users** and press the ENTER button to enter the next menu.
- Press the UP/DOWN button to scroll through the menu, select **User Mode** and press ENTER to confirm your choice.
- Use the UP/DOWN button to select the desired DMX channel configuration (**Basic, Standard, Extended**), then press the ENTER button to confirm your choice.
- Press the MENU button repeatedly to exit the menu and save changes.

The tables on page 18 show the mode of operation and their values DMX.

The unit is equipped with 3/5-pole XLR connections.

3.8 WIRELESS CONTROL SETTINGS

To enable wireless control mode, proceed as follows:

- Press the ENTER button to access the main menu.
- Press the UP/DOWN button to scroll the menu, select the **Connect** icon, then press the ENTER button to enter the next menu.
- Press the UP/DOWN button to scroll through the menu, select **Wireless** and press ENTER.
- Press the UP/DOWN and LEFT/RIGHT buttons to select the desired value (**001-512**).
- Press the ENTER key to confirm the setting.

To change the settings of wireless control, proceed as follows:

- Press the ENTER button to access the main menu.
- Press the UP/DOWN button to scroll the menu, select the **Set** icon, then press the ENTER button to enter the next menu.
- Press the UP/DOWN button to scroll through the menu, select **Wireless Set**, and press the ENTER button to enter the next menu.
- Press the UP/DOWN button to select the option proposed and press the ENTER button to confirm your choice.
 - **Receive** - Disable/enable the DMX signal cable. Select OFF to deactivate or ON to activate the function.
 - **Reset Connect** - Reset the wireless connection of the unit. Select OFF to deactivate or ON to activate the function.
- Press the ENTER button to confirm your choice.
- Press the MENU button repeatedly to exit the menu and save changes.

3.9 IR SETUP

To start up the IR receiver refer to the following steps:

- Press the MENU button so many times until the display shows **[IR Setup]**.
- Press the ENTER button to confirm.
- Press the UP/DOWN button, select one of the programs **[ON]** or **[OFF]**.
- Press the ENTER button for save the setting.
- Press the MENU button so many times until the display shows **[Stand Alone]**.
- Press the ENTER button to confirm.
- Press the UP/DOWN button, select one of the programs **[Static Present]**.
- Press the ENTER button for save the setting.

NOTE - Make sure to point the controller directly at the receiver on the

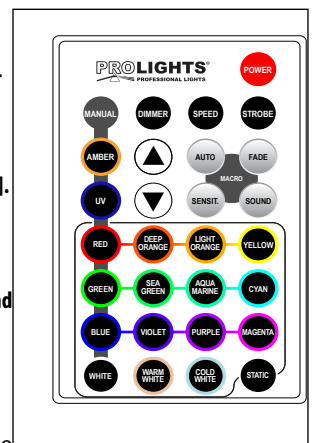


Fig.5

product.

With the IR controller you can choose the desired color of the top and side part separately. The Static button allows you to move the color selection from the top to the side, the other way around. When selecting a color for the top part, to move the selection to the side you must necessarily press the Static button twice.

3.10 DISPLAY SETTINGS

You can change the following parameters related to the display, following the same procedure:

- Press the ENTER button to access the main menu.
- Press the UP / DOWN keys to scroll the menu, select the Setup icon, then press the ENTER button to enter the next menu.
- Press UP / DOWN to scroll through the menu, then select UI Set, and press the ENTER button to enter the next menu.
- Press UP / DOWN to scroll through the menu, and then select one of the following settings for the display and press the ENTER key to display it.
 - **Back Light** - Backlight display Auto Off. This feature allows you to automatically turn off the backlight after a specified time that you can set using the arrow buttons. To have the display always on select **Always On** or set a value of On - 10s - 20s - 30s to turn off the display after the amount of time you choose.
 - **Key Lock** - Lock keys. With this function, you can lock the buttons on the control panel. If this function is activated, the keys are automatically locked. To disable or temporarily disable the key lock function, press the buttons in the following order to regain access to menu commands: UP, DOWN, UP, DOWN, ENTER. Select ON to activate or OFF to disable.
- Press the ENTER button to confirm your choice.
- Press the MENU button repeatedly to exit the menu and save changes.

3.11 RELOAD DEFAULT

Select this function to reset the unit to factory settings:

- Press the ENTER button to access the main menu.
- Press the UP/DOWN button to scroll the menu, select the **Advanced** icon, then press the ENTER button to enter the next menu.
- Press the UP/DOWN button to scroll through the menu, select **Factory Reload** and press the ENTER button to enter the next menu.
- Press the UP/DOWN button to select **ON** or **OFF**, then press the ENTER button to confirm.

3.12 WHITE BALANCE

Enter the White balance to adjust the **Red, Green, Blue and White** parameter to make different whites.

- Press the button MENU so many times until shows **White Balance**, and press the button ENTER to confirm.
- Select the color **R, G, B, W** through the buttons UP/DOWN, then press the button ENTER.
- Using UP/DOWN button, select the desired color value **125 - 255**.
- Press ENTER button to continue to the next color **R, G, B, W**.
- Continue until the desired mix is obtained.
- Press the MENU button to go back or to meet the waiting time to exit the setup menu.

3.13 FIXTURE INFORMATION

To view all the information on the device, proceed as follows:

- Press the ENTER button to access the main menu.
- Press the UP/DOWN button to scroll the menu, select the icon Information, then press the ENTER button to enter the next menu.
- Press the UP/DOWN button to scroll through the menu, then select one of the following information

and press the ENTER button to display it.

- **Fixture Time** - Through the Time Information function you can display the operating time of the projector.
 - **Temperature** - Through the Temperature function can be displayed the temperature inside the fixture, near the lamp. The temperature can be displayed in degrees Celsius or Fahrenheit.
 - **Version** - Through Software Version function you can display the currently installed software version.
- Press the MENU button repeatedly to exit the menu.

3.14 OPERATION WITH WIFI

This mode allows you to wirelessly connect more SMARTDISK units, all managed through a unit W-DMX transmitter (sold separately).

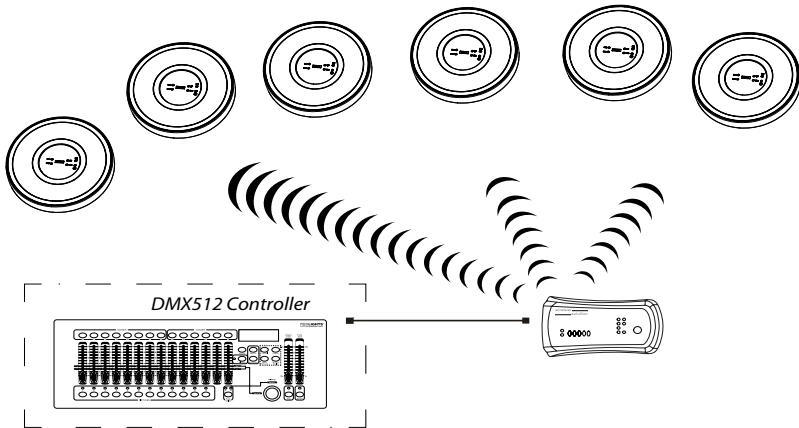


Fig.6

3.15 DMX CHANNELS

EASY 4CH	BASIC 8CH	STD 17CH	EXT 165CH	SMARTDISK FUNCTION	DMX Value
1	1	1		Side Red 0~100%	000 - 255
2	2	2		Side Green 0~100%	000 - 255
3	3	3		SideBlue 0~100%	000 - 255
4	4	4		Side White 0~100%	000 - 255
	5	5		Top Red 0~100%	000 - 255
	6	6		Top Green 0~100%	000 - 255
	7	7		Top Blue 0~100%	000 - 255
	8	8		Top White 0~100%	000 - 255
		9	1	Dimmer	000 - 250
		10	2	Strobe Open Strobe slow to fast Open Random slow to fast Open	000 - 015 016 - 115 116 - 135 136 - 235 236 - 255
		11	3	Effects NO function Effect 1 Effect 2 Effect 3 Effect 4 Effect 5 Effect 6 Effect 7 Random pixels	000 - 010 011 - 040 041 - 070 071 - 100 101 - 130 131 - 160 161 - 190 191 - 220 221 - 255
		12	4	Effects speed Static indexing Forward Slow to fastest Stop Reverse Slow to fastest	000 - 050 051 - 150 151 - 155 156 - 255
		13	5	Foreground Dimmer 0~100%	000 - 255

EASY 4CH	BASIC 8CH	STD 17CH	EXT 165CH	SMARTDISK FUNCTION	DMX Value
		14	6	Foreground color Black Red Green Blue White Pastel red Pastel green Pastel blue Cyan Magenta Yellow Light Yellow Light Blue Light Magenta Full white	000 - 000 001 - 018 019 - 036 037 - 054 055 - 072 073 - 090 091 - 108 109 - 126 127 - 144 145 - 162 163 - 180 181 - 198 199 - 216 217 - 234 235 - 255
		15	7	Background Dimmer 0~100%	000 - 255
		16	8	Background color Black Red Green Blue White Pastel red Pastel green Pastel blue Cyan Magenta Yellow Light Yellow Light Blue Light Magenta Full white	000 - 000 001 - 018 019 - 036 037 - 054 055 - 072 073 - 090 091 - 108 109 - 126 127 - 144 145 - 162 163 - 180 181 - 198 199 - 216 217 - 234 235 - 255
		17	9	Dimmer fade Dimmer snap to fade	000 - 000 001 - 255
			10 11 12 13	Pixel 1 Red 0~100% Green 0~100% Blue 0~100% White 0~100%	000 - 255 000 - 255 000 - 255 000 - 255
		 Red 0~100% Green 0~100% Blue 0~100% White 0~100%	000 - 255 000 - 255 000 - 255 000 - 255

EASY 4CH	BASIC 8CH	STD 17CH	EXT 165CH	SMARTDISK FUNCTION	DMX Value
				Pixel 39	
			162	Red 0~100%	000 - 255
			163	Green 0~100%	000 - 255
			164	Blue 0~100%	000 - 255
			165	White 0~100%	000 - 255

- 4 - MAINTENANCE

4.1 MAINTENANCE AND CLEANING THE UNIT

- Make sure the area below the installation place is free from unwanted persons during setup.
- Switch off the unit, unplug the main cable and wait until the unit has cooled down.
- All screws used for installing the device and any of its parts should be tightly fastened and should not be corroded.
- Housings, fixations and installation spots (ceiling, trusses, suspensions) should be totally free from any deformation.
- The main cables must be in impeccable condition and should be replaced immediately even when a small problem is detected.
- It is recommended to clean the front at regular intervals, from impurities caused by dust, smoke, or other particles to ensure that the light is radiated at maximum brightness. For cleaning, disconnect the main plug from the socket. Use a soft, clean cloth moistened with a mild detergent. Then carefully wipe the part dry. For cleaning other housing parts use only a soft, clean cloth. Never use a liquid, it might penetrate the unit and cause damage to it.

Battery Guide

New Lithium Battery Initialisation

Any new fixture containing a Lithium battery should be initialised when first purchased to maximise its battery life.

To do this:

1. Fully charge the unit for a minimum of 5 to 6 hours.
 2. Fully discharge, then fully recharge the battery.
 3. Repeat this cycle another 2 times for optimum battery life.
-

Maximizing Battery Performance

1. Lithium batteries perform best when in regular use. Long idle periods will reduce the battery life.
 2. Recharge the battery at the earliest opportunity, leaving batteries discharged for long periods will reduce battery life.
 3. Store units containing Lithium batteries at cool temperatures. High ambient temperatures significantly reduce the life of a Lithium battery.
 4. Disconnect power from the unit when charging is complete.
 5. Do not use fixtures whilst charging.
-

Long term storage

1. Charge your fixture's battery to around 50%. If you store a fixture with a fully discharged battery, it could fall into a deep discharge state. If you store it fully charged, the battery may lose some capacity, leading to shorter battery life.
2. Power down the device to avoid additional battery use.
3. Place your device in a cool, moisture-free environment that's less than 32° C (90° F).

Music & Lights S.r.l. si riserva ogni diritto di elaborazione in qualsiasi forma delle presenti istruzioni per l'uso.
La riproduzione - anche parziale - per propri scopi commerciali è vietata.

Al fine di migliorare la qualità dei prodotti, la Music&Lights S.r.l. si riserva la facoltà di modificare, in qualunque momento e senza preavviso, le specifiche menzionate nel presente manuale di istruzioni.
Tutte le revisioni e gli aggiornamenti sono disponibili nella sezione 'Manuali' sul sito www.musiclights.it

INDICE	Sicurezza	
	Avvertenze generali	4
	Attenzioni e precauzioni per l'installazione	4
	1 Introduzione	
	1.1 Descrizione	5
	1.2 Specifiche tecniche	5
	1.3 Elementi di comando e di collegamento	7
	2 Installazione	
	2.1 Montaggio	8
	3 Funzioni e impostazioni	
	3.1 Funzionamento	9
	3.2 Impostazione base	9
	3.3 Processo di ricarica	9
	3.4 Struttura menu	10
	3.5 Indirizzamento DMX	11
	3.6 Modalità DMX	11
	3.7 Configurazioni canali DMX	11
	3.8 Impostazioni controllo wireless	12
	3.9 Impostazioni IR	12
	3.10 Impostazioni display	12
	3.11 Reload default	13
	3.12 Bilanciamento bianco	13
	3.13 Informazioni sul dispositivo	13
	3.14 Funzionamento con WIFI	14
	3.15 Canali DMX	14
	4 Manutenzione	
	4.1 Manutenzione e pulizia del sistema ottico	17




ATTENZIONE! Prima di effettuare qualsiasi operazione con l'unità, leggere con attenzione questo manuale e conservarlo accuratamente per riferimenti futuri. Contiene informazioni importanti riguardo l'installazione, l'uso e la manutenzione dell'unità.



SICUREZZA

Avvertenze generali

- I prodotti a cui questo manuale si riferisce sono conformi alle Direttive della Comunità Europea e pertanto recano la sigla **CE**.
- Il dispositivo funziona con pericolosa tensione di rete 100V~240V. Non intervenire mai al suo interno al di fuori delle operazioni descritte nel presente manuale; esiste il pericolo di una scarica elettrica.
- È obbligatorio effettuare il collegamento ad un impianto di alimentazione dotato di un'efficiente messa a terra (apparecchio di Classe I secondo norma EN 60598-1). Si raccomanda, inoltre, di proteggere le linee di alimentazione delle unità dai contatti indiretti e/o cortocircuiti verso massa tramite l'uso di interruttori differenziali opportunamente dimensionati.
- Le operazioni di collegamento alla rete di distribuzione dell'energia elettrica devono essere effettuate da un installatore elettrico qualificato. Verificare che frequenza e tensione della rete corrispondono alla frequenza ed alla tensione per cui l'unità è predisposta, indicate sulla targhetta dei dati elettrici.
- L'unità non per uso domestico, solo per uso professionale.
- Evitare di utilizzare l'unità:
 - in luoghi soggetti a vibrazioni, o a possibili urti;
 - in luoghi soggetti ad eccessiva umidità.
- Evitare che nell'unità penetrino liquidi infiammabili, acqua o oggetti metallici.
- Non smontare e non apportare modifiche all'unità.
- Tutti gli interventi devono essere sempre e solo effettuati da personale tecnico qualificato. Rivolgersi al più vicino centro di assistenza tecnica autorizzato.
- Se si desidera eliminare il dispositivo definitivamente, consegnarlo  per lo smaltimento ad un'istituzione locale per il riciclaggio.

Attenzioni e precauzioni per l'installazione

- Se il dispositivo dovesse trovarsi ad operare in condizioni differenti da quelle descritte nel presente manuale, potrebbero verificarsi dei danni; in tal caso la garanzia verrebbe a decadere. Inoltre, ogni altra operazione potrebbe provocare cortocircuiti, incendi, scosse elettriche, rotture etc.
- Prima di iniziare qualsiasi operazione di manutenzione o pulizia sull'unità togliere la tensione dalla rete di alimentazione.
- È assolutamente necessario proteggere l'unità per mezzo di una fune di sicurezza. Nell'eseguire qualsiasi intervento attenersi scrupolosamente a tutte le normative (in materia di sicurezza) vigenti nel paese di utilizzo.
- Installare l'unità in un luogo ben ventilato.
- Mantenere i materiali infiammabili ad una distanza di sicurezza dall'unità.
- I filtri, le lenti o gli schermi ultravioletti se danneggiati possono limitare la loro efficienza.
- I LED devono essere sostituiti se danneggiati o termicamente deformati.
- Non guardare direttamente il fascio luminoso. Tenete presente che i veloci cambi di luce possono provocare attacchi d'epilessia presso persone fotosensibili o epilettiche.
- Non toccare l'alloggiamento del prodotto quando è in funzione perché potrebbe essere molto caldo.
- Questo prodotto è stato progettato e costruito esclusivamente per l'utilizzo indicato in questa documentazione. Qualsiasi altro utilizzo non espressamente indicato potrebbe pregiudicare la funzionalità del prodotto e/o rappresentare fonte di pericolo.
- Si declina qualsiasi responsabilità derivata dall'uso improprio del prodotto.

- 1 - INTRODUZIONE

1.1 DESCRIZIONE

SMARTDISK è un centro tavola da effetto a LED RGBW, ricevitore W-DMX integrato a bordo ed alimentazione a batteria. Progettato per qualsiasi tipologia di evento dove si vuole dare attenzione ad un oggetto, in un cocktail bar o reception. Programmabile via wireless o tramite telecomando.

1.2 SPECIFICHE TECNICHE

SORGENTE LUMINOSA

- Sorgente: 39x0.25W RGB + bianco caldo
- CT: 2800~6000K
- Durata media sorgente: >30.000 h

OTTICA

- Angolo di proiezione: 360° per illuminare il tavolo, 25° per illuminare oggetti posti al di sopra

SISTEMA COLORE

- Miscelazione del colore: RGBW/FC
- Macros: pixel macro con controllo di velocità e intensità incorporate

EFFETTI DINAMICI

- Generatore effetti: colore di primo piano / sfondo, indice, velocità, direzione regolabili
- Modalità colore statico: riproduzione statica di un colore
- Modalità colore manuale: regolazione manuale di un colore

CORPO

- Corpo: corpo in policarbonato ad alta resistenza
- Colore: bianco

CONTROLLO

- Protocolli: W-DMX
- Canali DMX: 4 / 8 / 17 / 165channel
- Pixel control: controllo pixel2pixel
- W-DMX: integrato, ricevitore ad antenna (2.4 GHz) by Wireless Solution Sweden
- Display: display LCD
- Aggiornamento firmware: sì, con interfaccia USB-DMX (UPBOX1) non inclusa
- IR: controllo remoto tramite IR

ELETTRONICA

- Dimmer: 0~100% lineare, elettronico
- Curve dimmer: curve dimmer regolabili
- Strobe / shutter: 1 - 30 Hz, elettronico
- Temperatura d'esercizio: -10° ~ +45°

ALIMENTAZIONE

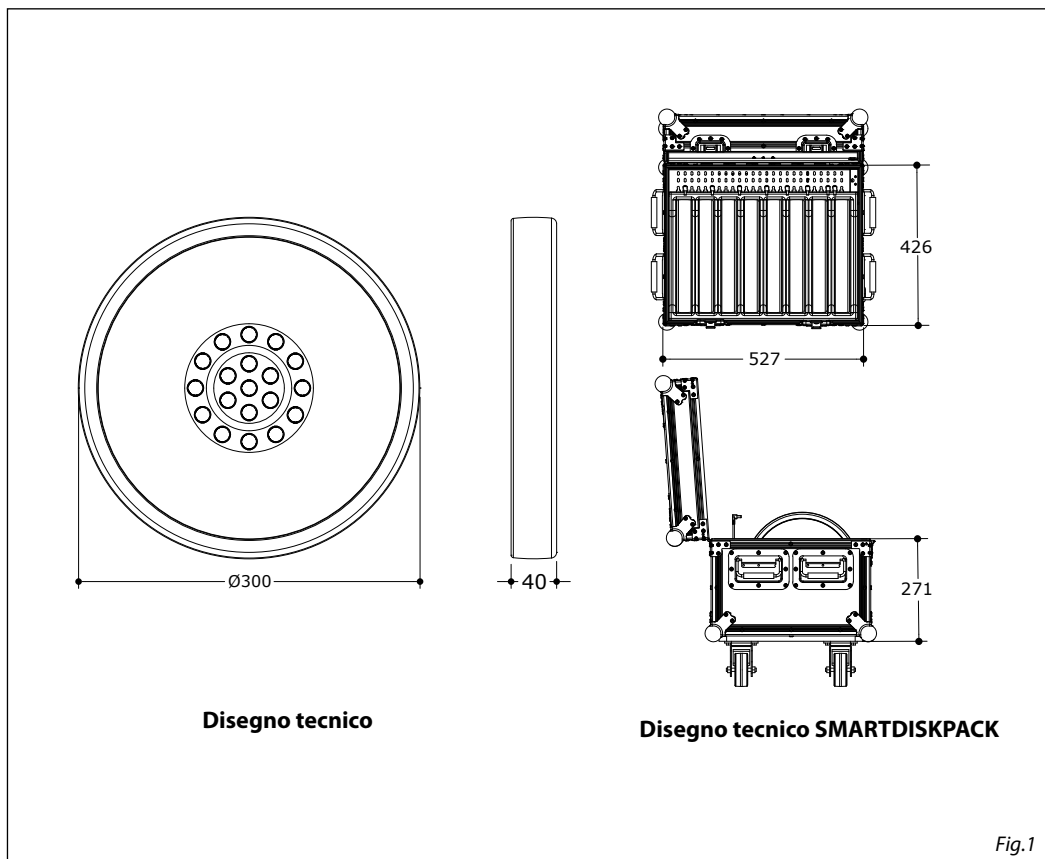
- Potenza assorbita (a 230V): 19.9W

BATTERIA

- Batteria: 4.4 Ah - 11.1V litio
- Autonomia in modalità cambia colori, fino a: 15h
- Autonomia in modalità singolo colori, fino a: 24h
- Autonomia in modalità full white, fino a: 8h
- Connessione di ricarica: cavo di alimentazione
- Tempo di ricarica: 5h/max
- Stato della batteria: indicatore di carica su display

CARATTERISTICHE FISICHE

- Connessione dati: W-DMX receiver
- Grado IP: 54
- Dimensioni (LxAxP): 300x40x300mm
- Peso: 1.62kg



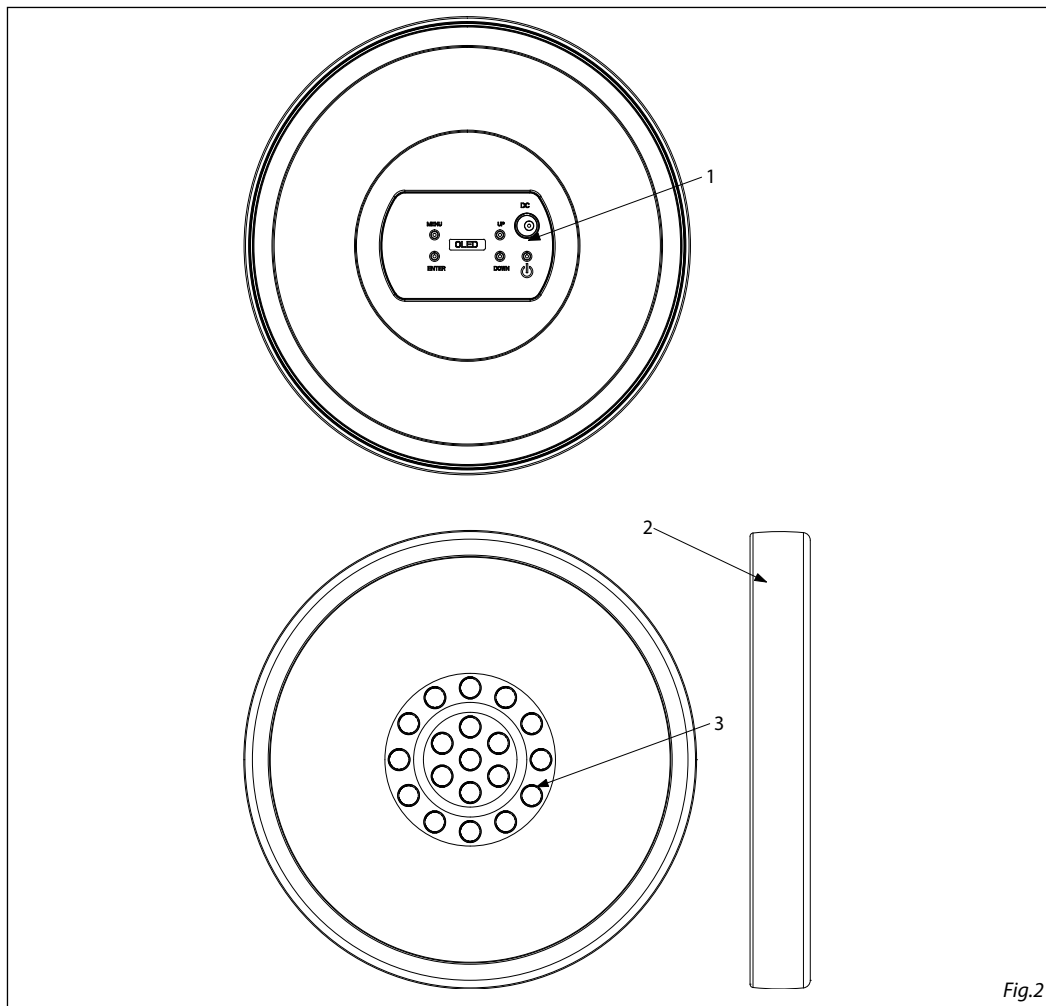
1.3 ELEMENTI DI COMANDO E COLLEGAMENTI

Fig.2

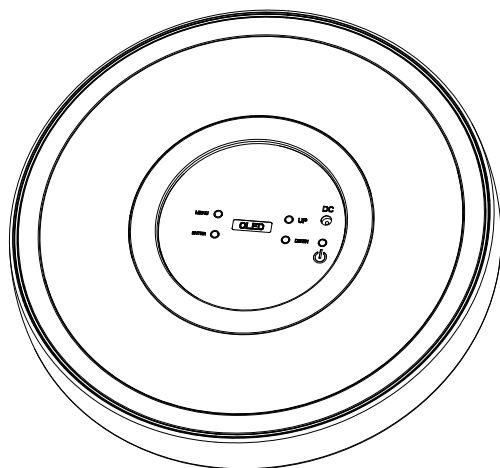
1. Display OLED e 4 pulsanti per accesso e gestione delle diverse funzioni.
2. Side LED
3. Top LED

- 2 - INSTALLAZIONE

2.1 MONTAGGIO

Lo SMARTDISK può essere collocato su un piano solido. L'area di collocazione deve avere una stabilità sufficiente e supportare almeno 10 volte il peso dell'unità.

Inoltre assicurarsi di rispettare tutte le avvertenze in materia di sicurezza.



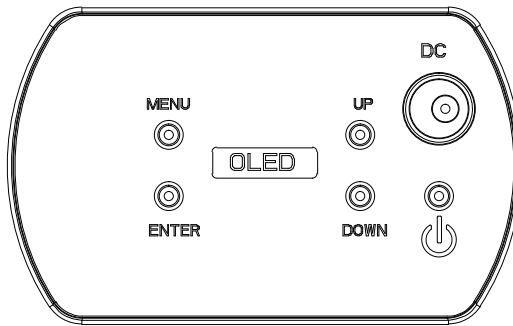
- 3 - FUNZIONI E IMPOSTAZIONI

3.1 FUNZIONAMENTO

Per accendere lo SMARTDISK premere l'interruttore ON/OFF. L'unità può essere comandata da un'unità DMX di comando luce oppure svolgere autonomamente il suo programma. Dopo l'uso spegnere l'unità attraverso il medesimo interruttore.

3.2 IMPOSTAZIONE BASE

Lo SMARTDISK dispone di un display OLED e 4 pulsanti per accesso alle funzioni del pannello di controllo (fig.4).



MENU	ENTER	UP	DOWN
Per scorrere il menu principale o tornare ad una opzione del menu precedente	Per entrare nel menu selezionato o confermare il valore attuale della funzione o l'opzione all'interno di un menu	Per scorrere attraverso le diverse funzioni in ordine discendente o aumentare il valore della funzione stessa	Per scorrere attraverso le diverse funzioni in ordine ascendente o diminuire il valore della funzione stessa

Fig.4 - Funzione dei tasti

3.3 PROCESSO DI RICARICA

Per ricaricare lo SMARTDISK:

- connettere l'unità all'apposito caricabatterie mediante l'ingresso presente nella parte inferiore dell'unità TOP
- collegare il caricabatterie ad una presa elettrica per avviare la carica della batteria

NOTA - Autonomia batteria: 8 ore 30 minuti con funzionamento full white, tempo di ricarica: max 5 ore

3.4 STRUTTURA MENU

MENU	
1	CONNECT
	⇒ DMX Address ⇒ 001 - 503
	⇒ DMX mode ⇒ EASY 4 Ch BASIC 8 Ch STANDARD 17 Ch EXTENDED 165 Ch
	⇒ Wireless ⇒ Receive ⇒ On Off Reset Connect ⇒ No Yes
⇒ IR Setting ⇒ On Off	
2	SETUP
	⇒ Screen ⇒ Backlight ⇒ On 10s 20s 30s ⇒ Key lock ⇒ No Yes
3	ADVANCED
	⇒ Dimmer mode ⇒ Off Dimmer 1 Dimmer 2 Dimmer 3
	⇒ White Balance ⇒ Off Adjust ⇒ Red ⇒ 125 - 255 Green ⇒ 125 - 255 Blue ⇒ 125 - 255 White ⇒ 125 - 255
	⇒ Factory Reload ⇒ No Yes
4	INFORMATION
	⇒ Fixture time ⇒ 9999 H Version ⇒ V 1.0
5	STAND ALONE
⇒ Effects ⇒ Effect1 ⇒ Speed 0~100 Background Foreground	

	⇒ Effect	⇒ Speed 0~100
		Background
		Foreground
⇒ Static Preset	⇒ Side	black,red,deep orange, light orange, yellow, green, sea green, acquamarine, cyan, blue, violet, purple, magenta, white, white all, warm white, cold white
	⇒ Top	
⇒ Manual Color	⇒ Side	⇒ Red (0 - 255)
	⇒ Top	⇒ Green (0 - 255)
		Blue (0 - 255)
		White (0 - 255)

3.5 INDIRIZZAMENTO DMX

Per poter comandare lo SMARTDISK con una console DMX, occorre impostare l'indirizzo di start DMX per il primo canale DMX. Per impostare l'indirizzo di start far riferimento alla seguente procedura:

- Premere il tasto MENU fino a quando sul display non appare **[DMX Address]** quindi premere ENTER per confermare.
- Usare i tasti UP/DOWN per selezionare il valore **[d 1-509]** quindi premere ENTER per confermare.

Se, per esempio, sull'unità di comando è previsto l'indirizzo 33 per comandare la funzione del primo canale DMX, si deve impostare sullo SMARTDISK l'indirizzo di start 33. Le altre funzioni del pannello saranno assegnate automaticamente agli indirizzi successivi. A pagina seguente un esempio con indirizzo 33 di start:

Numero canali DMX	Indirizzo di start (esempio)	Indirizzo DMX occupati	Prossimo indirizzo di start possibile per unità n°1	Prossimo indirizzo di start possibile per unità n°2	Prossimo indirizzo di start possibile per unità n°3
4	33	33-36	37	41	45

Esempio di configurazione a 4 canali DMX

3.6 MODALITÀ DMX

Per entrare nella modalità DMX procedere nel seguente modo:

- Premere il tasto ENTER per accedere al menu principale.
- Premere il tasto UP/DOWN per scorrere nel menu, selezionare **Connect**, quindi premere il tasto ENTER per accedere al menu successivo **Address**.
- Premere il tasto ENTER e selezionare **DMX** con il tasto UP/DOWN, quindi confermare la scelta con il tasto ENTER.
- Impostare con i tasti direzionali il valore desiderato (**001-512**). Premere il tasto ENTER per confermare.
- Premere il tasto MENU più volte per uscire dal menu e per salvare le modifiche apportate.

3.7 CONFIGURAZIONI CANALI DMX

Lo SMARTDISK dispone di 5 configurazioni dei canali DMX a cui si può accedere dal pannello di controllo.

- Premere il tasto ENTER per accedere al menu principale.
- Premere il tasto UP/DOWN per scorrere nel menu, selezionare **Connect**, quindi premere il tasto ENTER per accedere al menu successivo **DMX Mode**.
- Premere il tasto ENTER e selezionare **Mode** con il tasto UP/DOWN, quindi confermare la scelta con il tasto ENTER.

- Attraverso il tasto UP/DOWN selezionare la configurazione dei canali DMX desiderata (**basic, standard, extended**), quindi premere il tasto ENTER per confermare la scelta.
- Premere il tasto MENU più volte per uscire dal menu e per salvare le modifiche apportate.

3.8 IMPOSTAZIONE CONTROLLO WIRELESS

Per abilitare la modalità di controllo wireless procedere nel seguente modo:

- Premere il tasto ENTER per accedere al menu principale.
- Premere il tasto UP/DOWN per scorrere nel menu, selezionare **Connect**, quindi premere il tasto ENTER per accedere al menu successivo.
- Premere il tasto UP/DOWN per selezionare **Wireless** e premere il tasto ENTER.
- Premere i tasti direzionali per selezionare il valore desiderato (**001-512**).
- Premere il tasto ENTER per confermare l'impostazione.

Per modificare le impostazioni di controllo wireless procedere nel seguente modo:

- Premere il tasto ENTER per accedere al menu principale.
- Premere il tasto UP/DOWN per scorrere nel menu, selezionare **Set**, quindi premere il tasto ENTER per accedere al menu successivo.
- Premere il tasto UP/DOWN per selezionare **Wireless Set** e premere il tasto ENTER per procedere.
- Selezionare l'opzione proposta con il tasto UP/DOWN e premere il tasto ENTER per confermare la scelta.
 1. **Receive** - Disabilita/abilita il segnale DMX via cavo. Selezionare **OFF** per disattivare la funzione oppure **ON** per attivare la funzione.
 2. **Reset Connect** - Reset della connessione wireless dell'unità. Selezionare **OFF** per disattivare la funzione oppure **ON** per attivare la funzione.
- Premere il tasto ENTER per confermare la scelta.
- Premere il tasto MENU più volte per uscire dal menu e per salvare le modifiche apportate.

3.9 IMPOSTAZIONI IR

Per l'accensione del ricevitore ad infrarossi far riferimento alla seguente procedura:

- Premere il tasto UP/DOWN per scorrere nel menu, selezionare **Connect**, quindi premere il tasto ENTER per accedere al menu successivo.
- Premere il tasto MENU fino a quando sul display non appare **[IR Setting]**.
- Premere il tasto ENTER per confermare la scelta.
- Usare i tasti UP/DOWN per selezionare il valore **[ON]** oppure **[OFF]**.
- Premere il tasto ENTER per salvare l'impostazione.
- Dopodichè premere il tasto MENU fino a quando sul display non appare **[Stand Alone]**.
- Premere il tasto ENTER per confermare la scelta.
- Usare i tasti UP/DOWN per selezionare il valore **[Static Present]**.
- Premere il tasto ENTER per salvare l'impostazione.

NOTE - Assicurarsi di puntare il telecomando direttamente verso il ricevitore dell'unità.

Con il controller IR è possibile scegliere il colore desiderato della parte superiore e della parte laterale separatamente. Il tasto Static permette di spostare la selezione dei colori dalla parte superiore (Top) a quella laterale (Side), e viceversa. Quando si seleziona un colore per la parte superiore, per spostare la selezione sulla parte laterale bisogna necessariamente premere due volte il tasto Static.

3.10 IMPOSTAZIONI DISPLAY

È possibile modificare i seguenti parametri, relativi al display, seguendo la medesima procedura:

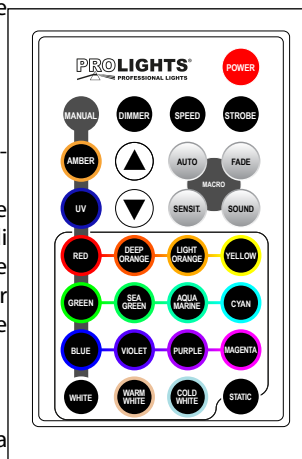


Fig.5

- Premere il tasto ENTER per accedere al menu principale.
- Premere il tasto UP/DOWN per scorrere nel menu, selezionare **Set Up**, quindi premere il tasto ENTER per accedere al menu successivo.
- Premere il tasto UP/DOWN per selezionare **Screen** e premere il tasto ENTER per procedere.
- Premere il tasto UP/DOWN per selezionare una delle seguenti impostazioni relative al display e premere il tasto ENTER per visualizzarla.
 - **Backlight** - Retroilluminazione display Auto Off. Questa funzione permette di spegnere automaticamente la retroilluminazione del display dopo un determinato tempo che può essere impostato tramite i tasti direzionali. Per avere il display sempre acceso seleziona **On** oppure impostare un valore di On - 10s - 20s - 30s per far spegnere il display una volta trascorso il tempo scelto, dopo l'uscita dal menu.
 - **Key lock** - Blocco tasti. Con questa funzione è possibile bloccare i tasti del pannello di controllo, per evitare, ad esempio, manomissioni delle impostazioni. Se questa funzione viene attivata, i tasti vengono bloccati automaticamente. Per disattivare o temporaneamente o disattivare la funzione di blocco tasti, premere i tasti nel seguente ordine per riottenere l'accesso ai comandi di menu: UP, DOWN, UP, DOWN, ENTER. Selezionare **ON** per attivare la funzione oppure **OFF** per disattivarla.
- Premere il tasto ENTER per confermare la scelta.
- Premere il tasto MENU più volte per uscire dal menu e per salvare le modifiche apportate.

3.11 RELOAD DEFAULT

Selezionare questa funzione per ripristinare l'unità alle impostazioni di fabbrica:

- Premere il tasto ENTER per accedere al menu principale.
- Premere il tasto UP/DOWN per scorrere nel menu, selezionare l'icona **Advanced**, quindi premere il tasto ENTER per accedere al menu successivo.
- Premere il tasto UP/DOWN per selezionare **Factory Reload** e premere il tasto ENTER per procedere.
- Premere i tasti UP/DOWN per selezionare **NO** oppure **YES**, quindi premere il tasto ENTER per confermare.

3.12 BILANCIAMENTO BIANCO

- Premere il tasto ENTER per accedere al menu principale.
- Premere il tasto UP/DOWN per scorrere nel menu, selezionare l'icona **Advanced**, quindi premere il tasto ENTER per accedere al menu successivo.
- Premere il tasto MENU fino a quando sul display non appare **White Balance**, quindi premere il tasto ENTER.
- Selezionare il colore **R, G, B, W** attraverso i tasti UP/DOWN, quindi premere il tasto ENTER.
- Utilizzare i tasti UP/DOWN per impostare il valore desiderato **125 - 255**.
- Premere il tasto ENTER per continuare e passare al successivo colore **R, G, B, W**.
- Continuare fino ad ottenere la miscelazione del colore.
- Premere il tasto MENU per tornare indietro o attendere alcuni secondi per uscire dal menu di impostazione.

3.13 INFORMAZIONI SUL DISPOSITIVO

Per visualizzare tutte le informazioni sul dispositivo procedere nel seguente modo:

- Premere il tasto ENTER per accedere al menu principale.
- Premere il tasto UP/DOWN per selezionare l'icona **Information**, quindi premere il tasto ENTER per accedere al menu successivo.
- Premere il tasto UP/DOWN per scorrere nel menu, quindi selezionare una delle seguenti informazioni e premere il tasto ENTER per visualizzarla.
 - **Fixture Time** - Attraverso la funzione **Fixture Time** è possibile visualizzare sul display il tempo di funzionamento del proiettore.
 - **Version** - Attraverso la funzione **Software Version** è possibile visualizzare sul display la versione del software installata.
- Premere il tasto MENU più volte per uscire dal menu.

3.14 FUNZIONAMENTO CON WIFI

Questa modalità consente di collegare in modalità wireless più unità SMARTDISK, tutte gestite attraverso un'unità W-DMX (acquistabile separatamente).

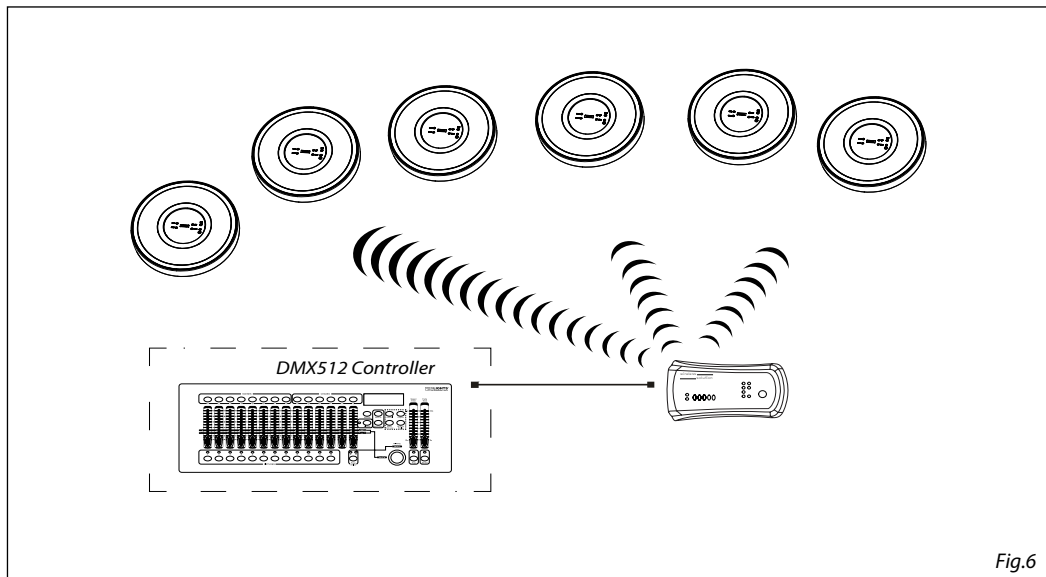


Fig.6

3.15 CANALI DMX

EASY 4CH	BASIC 8CH	STD 17CH	EXT 165CH	SMARTDISK FUNCTION	DMX Value
1	1	1		Side Red 0~100%	000 - 255
2	2	2		Side Green 0~100%	000 - 255
3	3	3		Side Blue 0~100%	000 - 255
4	4	4		Side White 0~100%	000 - 255
	5	5		Top Red 0~100%	000 - 255
	6	6		Top Green 0~100%	000 - 255
	7	7		Top Blue 0~100%	000 - 255

EASY 4CH	BASIC 8CH	STD 17CH	EXT 165CH	SMARTDISK FUNCTION	DMX Value
	8	8		Top White 0~100%	000 - 255
		9	1	Dimmer	000 - 255
		10	2	Strobe Open Strobe slow to fast Open Random slow to fast Open	000 - 015 016 - 115 116 - 135 136 - 235 236 - 255
		11	3	Effects NO function Effect 1 Effect 2 Effect 3 Effect 4 Effect 5 Effect 6 Effect 7 Random pixels	000 - 010 011 - 040 041 - 070 071 - 100 101 - 130 131 - 160 161 - 190 191 - 220 221 - 255
		12	4	Effects speed Static indexing Forward Slow to fastest Stop Reverse Slow to fastest	000 - 050 051 - 150 151 - 155 156 - 255
		13	5	Foreground Dimmer 0~100%	000 - 255
		14	6	Foreground color Black Red Green Blue White Pastel red Pastel green Pastel blue Cyan Magenta Yellow Light Yellow Light Blue Light Magenta Full white	000 - 000 001 - 018 019 - 036 037 - 054 055 - 072 073 - 090 091 - 108 109 - 126 127 - 144 145 - 162 163 - 180 181 - 198 199 - 216 217 - 234 235 - 255
		15	7	Background Dimmer 0~100%	000 - 255

EASY 4CH	BASIC 8CH	STD 17CH	EXT 165CH	SMARTDISK FUNCTION	DMX Value
		16	8	Background color Black Red Green Blue White Pastel red Pastel green Pastel blue Cyan Magenta Yellow Light Yellow Light Blue Light Magenta Full white	000 - 000 001 - 018 019 - 036 037 - 054 055 - 072 073 - 090 091 - 108 109 - 126 127 - 144 145 - 162 163 - 180 181 - 198 199 - 216 217 - 234 235 - 255
		17	9	Dimmer fade Dimmer snap to fade	000 - 000 001 - 255
			10 11 12 13	Pixel 1 Red 0~100% Green 0~100% Blue 0~100% White 0~100%	000 - 255 000 - 255 000 - 255 000 - 255
		 Red 0~100% Green 0~100% Blue 0~100% White 0~100%	000 - 255 000 - 255 000 - 255 000 - 255
			162 163 164 165	Pixel 39 Red 0~100% Green 0~100% Blue 0~100% White 0~100%	000 - 255 000 - 255 000 - 255 000 - 255

- 4 - MANUTENZIONE

4.1 MANUTENZIONE E PULIZIA DEL SISTEMA OTTICO

- Durante gli interventi, assicurarsi che l'area sotto il luogo di installazione sia libera da personale non qualificato.
- Spegnerne l'unità, scollegare il cavo di alimentazione ed aspettare finché l'unità non si sia raffreddata.
- Tutte le viti utilizzate per l'installazione dell'unità e le sue parti devono essere assicurate saldamente e non devono essere corrose.
- Alloggiamenti, elementi di fissaggio e di installazione (soffitto, truss, sospensioni) devono essere totalmente esenti da qualsiasi deformazione.
- I cavi di alimentazione devono essere in condizione impeccabile e devono essere sostituiti immediatamente nel momento in cui anche un piccolo problema viene rilevato.
- Si dovrebbe procedere, ad intervalli regolari, alla pulizia della parte frontale per asportare polvere, fumo e altre particelle. Solo così, la luce può essere irradiata con la luminosità massima. Per la pulizia usare un panno morbido, pulito e un detergente per vetri come si trovano in commercio. Quindi asciugare le parti delicatamente.

Guida all'uso della batteria

Inizializzazione di una nuova batteria

Ogni nuovo faro contenente una batteria al litio, dovrebbe essere inizializzata al primo utilizzo per massimizzarne l'efficienza.

Per fare questo:

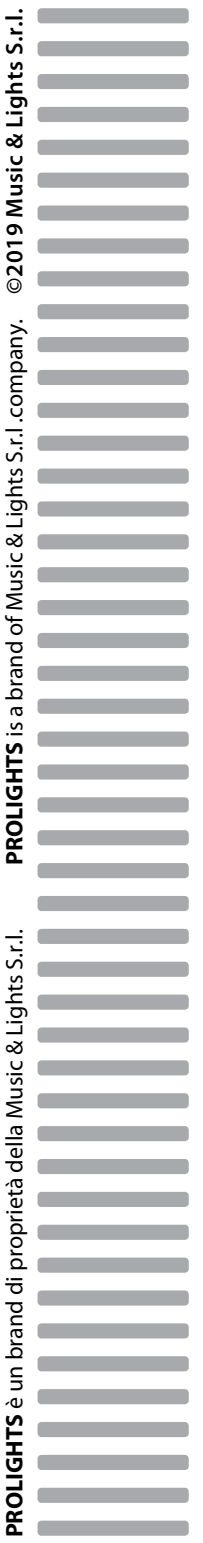
1. Caricare completamente l'unità per un minimo di 5-6 ore.
 2. Scaricare completamente, quindi ricaricare completamente la batteria
 3. Ripetere questo ciclo altre 2 volte per ottenere una durata ottimale della batteria.
-

Ottimizza le prestazioni della batteria

1. Le batterie al litio funzionano in modo ottimale quando vengono utilizzate regolarmente. Lunghi periodi con batteria al minimo riducono la durata della batteria.
 2. Ricaricare la batteria appena possibile, lasciare le batterie scariche per lunghi periodi, riduce la durata della batteria.
 3. Conservare le unità contenenti batterie al litio a temperature fredde. Una temperatura ambientale troppo alta riduce notevolmente la durata di una batteria al litio.
 4. Scollegare l'alimentazione dall'unità quando la ricarica è completa.
 5. Non utilizzare durante il caricamento.
-

Se non lo usi per molto tempo

1. Carica la batteria circa al 50%. Un dispositivo con la batteria completamente scarica, potrebbe esaurirsi al punto da rendere impossibile una nuova ricarica. Se invece il dispositivo resta inattivo per un lungo periodo con la carica al 100%, la capacità della batteria potrebbe deteriorarsi e la sua autonomia potrebbe risentirne.
2. Spegni il dispositivo, in modo da impedire che la batteria continui a essere utilizzata.
3. Riponi il dispositivo in un luogo fresco e asciutto, a una temperatura inferiore ai 32 °C.



PROLIGHTS è un brand di proprietà della Music & Lights S.r.l.

PROLIGHTS is a brand of Music & Lights S.r.l. company.

©2019 Music & Lights S.r.l.