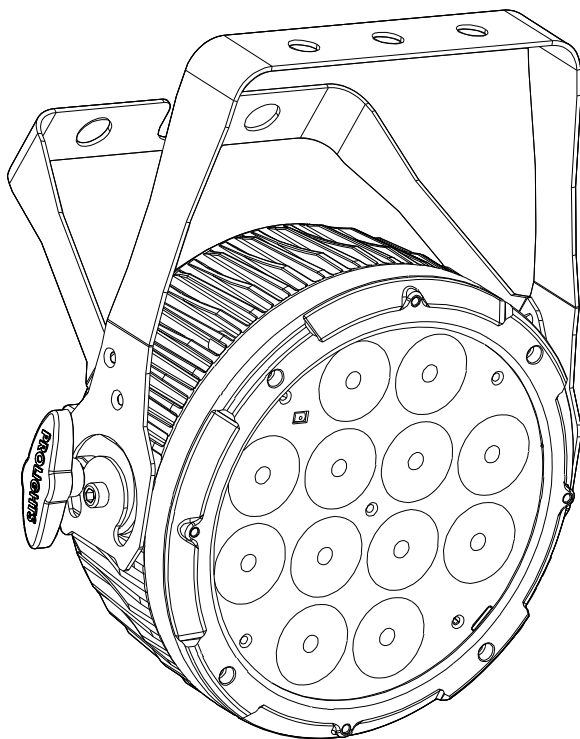


TRIBE[®]

LUMIPAR12UH3P

SUPER-SLIM PARLED



USER MANUAL
MANUALE UTENTE

All rights reserved by Music & Lights S.r.l. No part of this instruction manual may be reproduced in any form or by any means for any commercial use.

In order to improve the quality of products, Music&Lights S.r.l. reserves the right to modify the characteristics stated in this instruction manual at any time and without prior notice.

All revisions and updates are available in the 'manuals' section on site www.musiclights.it

TABLE OF CONTENTS

Safety

General instructions	2
Warnings and installation precautions	2

1 Introduction

1.1 Description	4
1.2 Technical specifications	4
1.3 Operating elements and connections	6

2 Installation

2.1 Mounting	7
--------------------	---

3 Functions and settings

3.1 Operation	8
3.2 Basic	8
3.3 Menu structure	9
3.4 Auto show	9
3.5 Static Color	9
3.6 Sound Mode	10
3.7 Manual Color	10
3.8 Dimmer	10
3.9 Linking	10
3.10 DMX configuration	10
3.11 DMX addressing	11
3.12 Connection of the DMX line	12
3.13 Construction of the DMX termination	12
3.14 DMX control	13
3.15 Operation through the IRC controller	14

4 Maintenance

4.1 Maintenance and cleaning the unit	15
4.2 Fuse replacement	15
4.3 Troubleshooting	15

Packing content

- LUMIPAR12UH3P
 - Mount bracket (2pc.)
 - Power cable
 - User manual
-




WARNING! Before carrying out any operations with the unit, carefully read this instruction manual and keep it with care for future reference. It contains important information about the installation, usage and maintenance of the unit.



SAFETY

General instruction

- The products referred to in this manual conform to the European Community Directives and are therefore marked with **CE**.
- The unit is supplied with hazardous network voltage (230V~). Leave servicing to skilled personnel only. Never make any modifications on the unit not described in this instruction manual, otherwise you will risk an electric shock.
- Connection must be made to a power supply system fitted with efficient earthing (Class I appliance according to standard EN 60598-1). It is, moreover, recommended to protect the supply lines of the units from indirect contact and/or shorting to earth by using appropriately sized residual current devices.
- The connection to the main network of electric distribution must be carried out by a qualified electrical installer. Check that the main frequency and voltage correspond to those for which the unit is designed as given on the electrical data label.
- This unit is not for home use, only professional applications.
- Never use the fixture under the following conditions:
 - in places subject to vibrations or bumps;
 - in places with a temperature of over 45 °C.
- Make certain that no inflammable liquids, water or metal objects enter the fixture.
- Do not dismantle or modify the fixture.
- All work must always be carried out by qualified technical personnel. Contact the nearest sales point for an inspection or contact the manufacturer directly.
- If the unit is to be put out of operation definitively, take it to a local recycling  plant for a disposal which is not harmful to the environment.

Warnings and installation precautions

- If this device will be operated in any way different to the one described in this manual, it may suffer damage and the guarantee becomes void. Furthermore, any other operation may lead to dangers like short circuit, burns, electric shock, etc.
- Before starting any maintenance work or cleaning the projector, cut off power from the main supply.
- Always additionally secure the projector with the safety rope. When carrying out any work, always comply scrupulously with all the regulations (particularly regarding safety) currently in force in the country in which the fixture's being used.
- Install the fixture in a well ventilated place.
- Keep any inflammable material at a safe distance from the fixture.
- Shields, lenses or ultraviolet screens shall be changed if they have become damaged to such an extent that their effectiveness is impaired.
- The lamp (LED) shall be changed if it has become damaged or thermally deformed.
- Never look directly at the light beam. Please note that fast changes in lighting, e. g. flashing light, may trigger epileptic seizures in photosensitive persons or persons with epilepsy.
- Do not touch the product's housing when operating because it may be very hot.

- 1 - INTRODUCTION

1.1 DESCRIPTION

LUMIPAR12UH3P is a super-slim PAR LED designed for professional use and as a powerful wash light with the ability to perform an outstanding chromatic capacity through the new optical design and light source based on 6 colours mixing. LUMIPAR12UH is compatible with the infrared remote controller, for intuitive and interactive use without need any external DMX units and can be also controlled wireless through the optional USB WIFI transceiver in combination with WIFIBOX and the SmartColor app.

1.2 TECHNICAL SPECIFICATIONS

LIGHT SOURCE

- Source: 12x8W RGBWAP LEDs
- Luminous flux: 2537lm
- Lux: 963,5lux @3m
- Source life expectancy: >50.000 h

OPTICS

- Beam angle: 25°
- Field angle: 45°
- Lens diameter: 38mm
- Additional optics: 25° (inc) - 45° (op)

COLOUR SYSTEM

- Colour mixing: RGBWAP/FC
- White presets: 3200~10000K
- Colour wheel: virtual colour wheel with presets
- Macros: built-in white presets

DYNAMIC EFFECTS

- Static colour mode: selection of static colour
- Manual colour mode: manual adjustment of dimmer and strobe
- Auto mode: built-in programs with execution speed adjustment
- BODY
- Body: sturdy die-cast aluminium body conceived for long-time durability
- Body colour: black

CONTROL

- Protocols: DMX512
- DMX channels: 6/11channel
- Display: LED display user interface
- Firmware upgrade: yes, via USB-DMX interface (UPBOX1) not included
- IR: infrared sensor controlled by remote
- Master/Slave: for synchronized operation of more units linked in a chain

ELECTRONICS

- Dimmer: linear 0~100% electronic dimmer
- Strobe / shutter: 1-28 Hz, electronic
- Operating temperature: -10° ~ +45°
- Flicker: flicker free operation

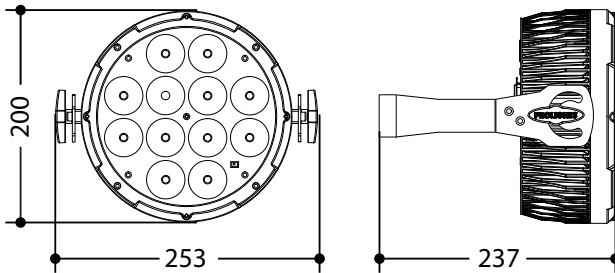
ELECTRICAL

- Power supply: 100-240V – 50/60Hz
- Power consumption (at 230V): 83W
- Power consumption (at 120V): 84,5W
- Output (at 230V): 30 units on a single power line

- Output (at 120V): 16 units on a single power line

PHYSICAL

- Cooling: natural cooling of the peculiar chassis and to absence of fans
- Suspension and fixing: double hanging bracket suitable for safe hanging and for floor positioning
- Data: USB port for USB WIFI transmitter (optional)
- Signal connection: XLR 3p IN/OUT connectors
- Power connection: variants available
- IP rating: 44
- Dimensions (WxHxD): 253x200x237mm
- Weight: 3.3kg



Technical drawing

Fig.1

1.3 OPERATING ELEMENTS AND CONNECTIONS

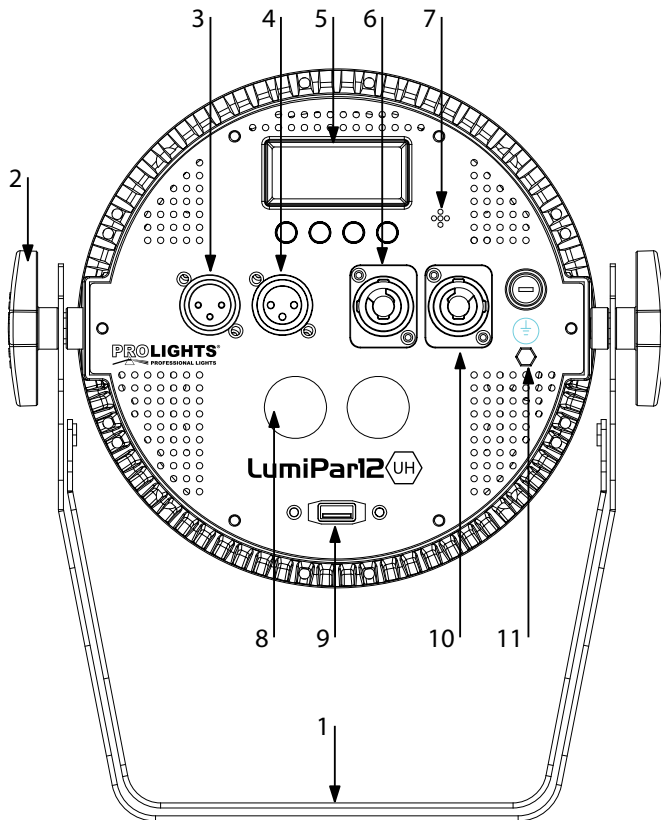


Fig.2 - Rear panel

1. MOUNTING BRACKET.
2. LOCKING KNOB for the mounting bracket.
3. DMX IN (3-pole XLR):
1 = ground, 2 = DMX -, 3 = DMX +.
4. DMX OUT (3-pole XLR):
1 = ground, 2 = DMX -, 3 = DMX +.
5. CONTROL PANEL with display and 4 button used to access the control panel functions and manage them.
6. POWER IN (PowerCON IN) mains plug for connection to a socket (100-240V~/50/60Hz) via the supplied mains cable.
7. MICROPHONE to control the show by the external audio signal.
8. SAFETY EYE to attach safety cable.
9. Universal Serial Bus (USB).
10. POWER OUT (PowerCON OUT): power output for connection of multiple units in series.
11. GND POINT grounding the fixture to the earth.

- 2 - INSTALLATION

2.1 MOUNTING

LUMIPAR12UH3P may be set up on a solid and even surface. The unit can also be mounted upside down to a cross arm. For fixing, stable mounting clips are required. The mounting place must be of sufficient stability and be able to support a weight of 10 times of the unit's weight.

When carrying out any installation, always comply scrupulously with all the regulations (particularly regarding safety) currently in force in the country in which the fixture's being used.

- Install the projector at a suitable location by means of the mounting bracket (1).
- Always additionally secure the projector with the safety rope from falling down. For this purpose, fasten the safety rope at a suitable position so that the maximum fall of the projector will be 20 cm.
- Adjust the projector and use the knob (2) to slightly release or tighten the locking mechanism of the bracket if is necessary.

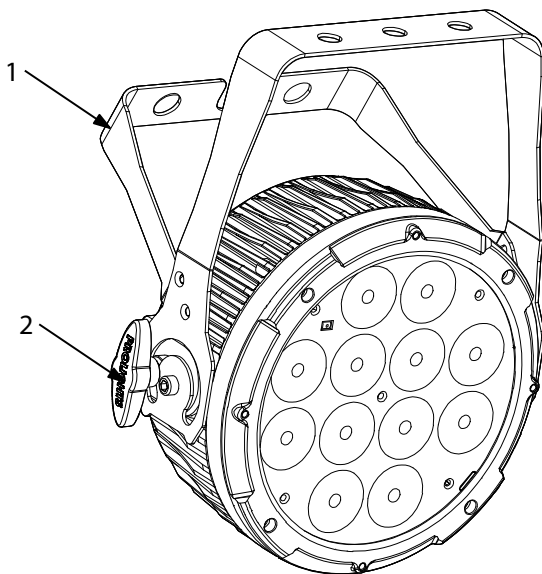


Fig.3

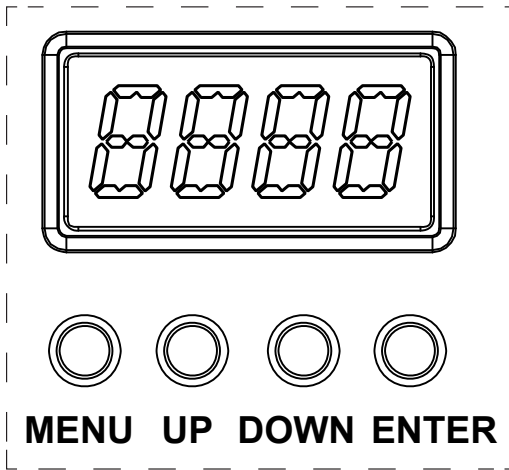
- 3 - FUNCTIONS AND SETTINGS

3.1 OPERATION

Connect the supplied main cable to a socket (100-240 VAC-50/60 Hz). Then the unit is ready for operation and can be operated via a DMX controller or it independently performs its show program in succession. To switch off, disconnect the mains plug from the socket. For a more convenient operation it is recommended to connect the unit to a socket which can be switched on and off via a light switch.

3.2 BASIC

Access control panel functions using the four panel buttons located directly underneath the LED Display (fig.4).



MENU	UP	DOWN	ENTER
Used to access the menu or to return a previous menu option	Navigates downwards through the menu list and increases the numeric value when in a function	Navigates upwards through the menu list and decreases the numeric value when in a function	Used to select and store the current menu or confirm the current function value or option within a menu

Fig.4 - Functions of the buttons

3.3 MENU STRUCTURE

	MENU		
1	DMX Personality and Starting Address	6 CH ⇨ d1 - d512 11 CH ⇨ d1 - d512	Selects DMX personality and DMX starting value
2	Static Colors	C-- ⇨ C1 - C63	Selects 1 of 63 static colors
3	Auto Programs	P-- ⇨ P1 - P4	Selects 1 of 4 auto programs
4	Programs Speed	S-- ⇨ S1 - S100	Sets auto program speed (slow to fast)
5	Sound Active	Snd ⇨ Snd1 - Snd2	Selects Sound Active mode
6	Sound Sensitivity	SenS ⇨ u0 - u100	Sets sound sensitivity (low to high)
7	Custom Color Mixing	U-- ⇨ r0 - r255 ⇨ g0 - g255 ⇨ b0 - b255 ⇨ A0 - A255 ⇨ W0 - W255 ⇨ P0 - P255	Red (0-100%) Green (0-100%) Blue (0-100%) Amber (0-100%) White (0-100%) Purple (0-100%)
8	Dimmer	dIM ⇨ OFF ⇨ dIM1 ⇨ dIM2 ⇨ dIM3	OFF: Dimmer speed off DIM1: Dimmer speed fast DIM2: Dimmer speed middle DIM3: Dimmer speed slow
9	Infrared	SET ⇨ ON ⇨ OFF	Turns infrared on or off

3.4 AUTO SHOW

This fixture has a built-in automatic program. To access this, please see the below instructions:

- Press the button MENU so many times until shows **P--**, then press the button ENTER.
- Using UP/DOWN button, select one of the programs **P1 - P4**.
- Press the button ENTER to confirm.
- Press the button MENU until **S--** appears on the display.
- Use the button UP/DOWN to select the auto programs speed **S001 - S100** (slow-fast).
- Press the button ENTER save the setting.

3.5 STATIC COLOR

This fixture has the ability to accept custom static color settings. Access these chases via the control panel on the back of the fixture.

- Press the button MENU so many times until shows **C-**, then press the button ENTER.
- Using UP/DOWN button, select one of the programs **C1 - C63**.
- Press the button ENTER to confirm.
- Press the MENU button to go back or to meet the waiting time to exit the setup menu.

3.6 SOUND MODE

In music mode, via its integrated microphone, the unit can be controlled by music with a clear rhythm in the bass range. If the music control should not work optimally, increase the volume or reduce the distance between the sound source and the light effect unit.

- Press the button MENU so many times until the display shows **Snd**.
- Using UP/DOWN button, select one of the modes **Snd1** or **Snd2**.
- Press the button ENTER to confirm.
- You can set the microphone sensitivity pressing the button MENU so many times until the display show **Sens**.
- Using the button UP/DOWN, select the desired value sensitivity (slow-fast) **u0 - u100**.
- Press the button ENTER to confirm.

3.7 MANUAL COLOR

This mode allows to combine the colors red, green, blue, amber, white and purple (**r, g, b, A, W, P**).

- Press the button MENU so many times until the display shows **U-**, then press the button ENTER.
- Select the color **r, g, b, A, W or P** through the buttons UP/DOWN.
- Press the button ENTER to confirm.
- Using UP/DOWN button, select the desired color value **000 - 255**.
- Press ENTER button to continue to the next color.
- Continue until the desired mix is obtained.
- Press the MENU button to go back or to meet the waiting time to exit the setup menu.

3.8 DIMMER

- Enter in Dimmer mode to select specific dimming curve, press the button MENU so many times until shows **dIM**, and press the button ENTER to confirm.
- Press the button UP/DOWN to select **OFF - dIM1 - dIM2 - dIM3**.
- Press ENTER button to store.
- Press the MENU button to go back or to meet the waiting time to exit the setup menu.

3.9 LINKING

Several units may be interconnected in order to control all further slave units to the same effect of the master unit. Use standard DMX cables to daisy chain your units together via the DMX connector on the rear of the units. For longer cable runs we suggest a terminator at the last fixture (see page 12).

1. Connect the DMX OUT of the master unit via 3-pole XLR cable to the DMX IN of the first slave unit.
2. Connect the DMX OUT of the first slave unit to the DMX IN of the second slave unit, etc. until all units are connected in a chain.

3.10 DMX CONFIGURATION

LUMIPAR12UH3P is equipped with different DMX configuration.

- Press the button MENU to select the desired DMX configuration (**6CH - 11CH**), then press the button ENTER.

- Press the button UP/DOWN to select the desired value (**001 - 512**), then press the button ENTER to confirm.
- Press the MENU button to go back or to meet the waiting time to exit the setup menu.

The tables on page 13 indicate the operating mode and DMX value. The LUMIPAR12UH3P is equipped with 3-pole XLR connections.

3.11 DMX ADDRESSING

To able to operate the LUMIPAR12UH3P with a light controller, adjust the DMX start address for the first a DMX channel. If e. g. address 33 on the controller is provided for controlling the function of the first DMX channel, adjust the start address 33 on the LUMIPAR12UH3P.

The other functions of the light effect panel are then automatically assigned to the following addresses. An example with the start address 33 is shown below:

Number of DMX channels	Start address (example)	DMX Address occupied	Next possible start address for unit No. 1	Next possible start address for unit No. 2	Next possible start address for unit No. 3
6	33	33-38	39	45	51
11	33	33-41	44	55	66

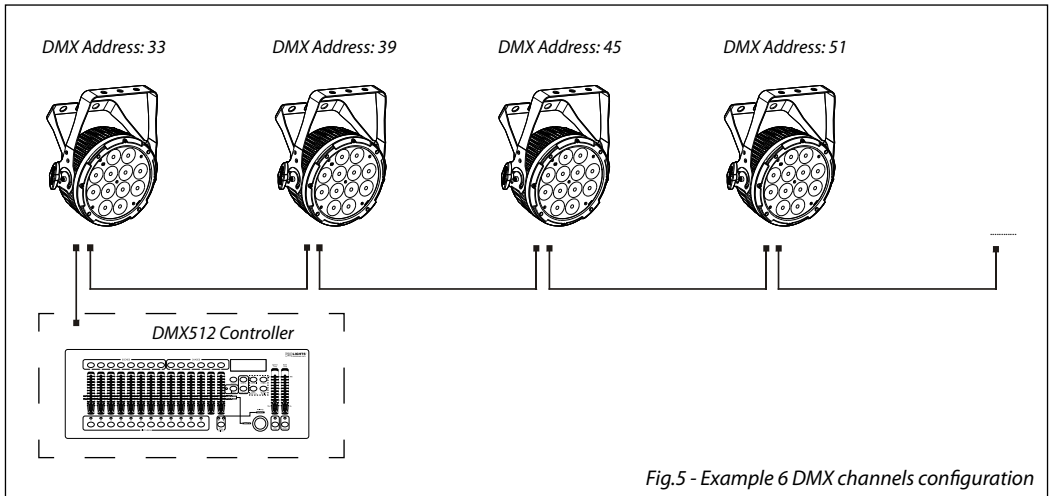
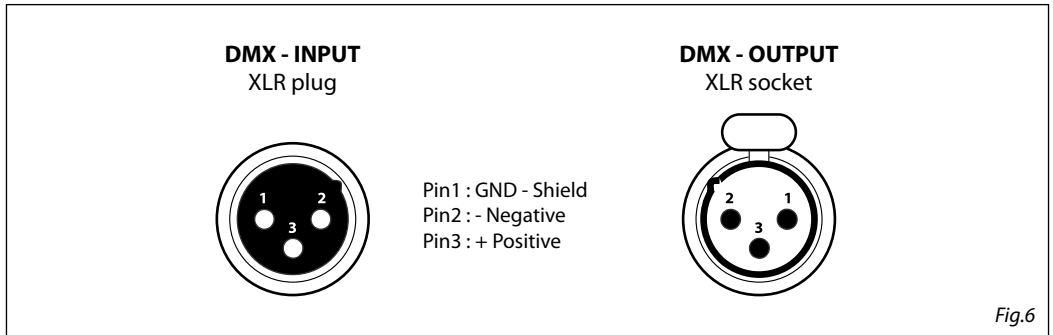


Fig.5 - Example 6 DMX channels configuration

3.12 CONNECTION OF THE DMX LINE

DMX connection employs standard XLR connectors. Use shielded pair-twisted cables with 120Ω impedance and low capacity.

The following diagram shows the connection mode:



ATTENTION

The screened parts of the cable (sleeve) must never be connected to the system's earth, as this would cause faulty fixture and controller operation.

Over long runs can be necessary to insert a DMX level matching amplifier.

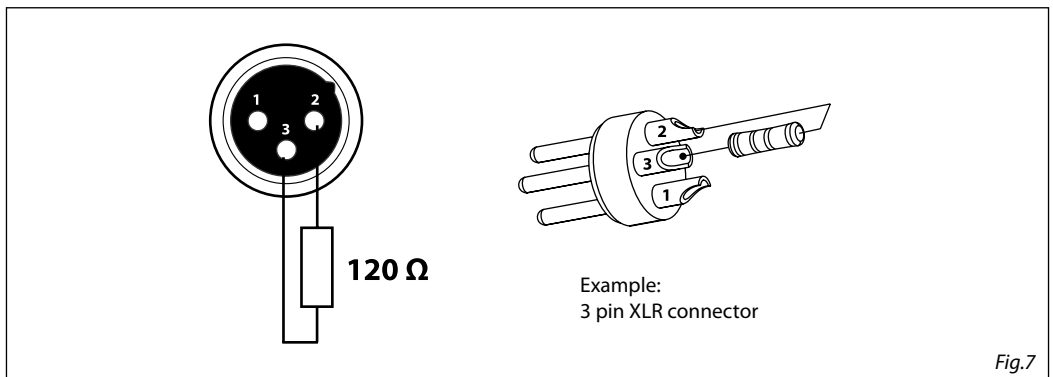
For those connections the use of balanced microphone cable is not recommended because it cannot transmit control DMX data reliably.

- Connect the controller DMX input to the DMX output of the first unit.
- Connect the DMX output to the DMX input of the following unit. Connect again the output to the input of the following unit until all the units are connected in chain.
- When the signal cable has to run longer distance is recommended to insert a DMX termination on the last unit.

3.13 CONSTRUCTION OF THE DMX TERMINATION

The termination avoids the risk of DMX 512 signals being reflected back along the cable when they reach the end of the line: under certain conditions and with certain cable lengths, this could cause them to cancel the original signals.

The termination is prepared by soldering a 120Ω $1/4$ W resistor between pins 2 and 3 of the 3-pin male XLR connector, as shown in figure.



3.14 DMX CONTROL

6 CHANNELS

MODE 6 Ch	FUNCTION	DMX Value
1	RED 0~100%	000 - 255
2	GREEN 0~100%	000 - 255
3	BLUE 0~100%	000 - 255
4	AMBER 0~100%	000 - 255
5	WHITE 0~100%	000 - 255
6	PURPLE 0~100%	000 - 255

11 CHANNELS

MODE 11 Ch	FUNCTION	DMX Value
1	RED 0~100%	000 - 255
2	GREEN 0~100%	000 - 255
3	BLUE 0~100%	000 - 255
4	AMBER 0~100%	000 - 255
5	WHITE 0~100%	000 - 255
6	PURPLE 0~100%	000 - 255
7	COLOR MACRO No Function Color Macros	000 - 015 016 - 255
8	STROBE No Function Strobe slow to fast	000 - 015 016 - 255
	PROGRAM SPEED Speed slow to fast	000 - 255
	SOUND SENSITIVITY Sound sensitivitiy OFF Control the sound sensitivity	000 - 010 011 - 255
9	PROGRAMS No function 0 - 100% 100%-0 100%-0-100% Colors Fade 6 Colors snap 63 Colors snap Sound Control	000 - 031 032 - 063 064 - 095 096 - 127 128 - 159 160 - 191 192 - 223 224 - 255
10	DIMMER 0~100%	000 - 255
11	DIMMER SPEED MODE Preset dimmer speed from display menu Dimmer speed mode off Dimmer speed mode 1 (fast speed) Dimmer speed mode 2 (middle speed) Dimmer speed mode 3 (slow speed)	000 - 051 052 - 101 102 - 152 153 - 203 204 - 255

3.15 OPERATION THROUGH THE IRC CONTROLLER

To control the LUMIPAR12UH3P with the infrared remote control:

- Press the button MENU repeatedly until **SET**, then press button ENTER to confirm.
- Using UP/DOWN button to select **On** or **Off** to enable or disable the infrared remote control.
- Press the button ENTER to confirm the chose.

NOTE - Make sure to point the controller directly at the receiver on the product.

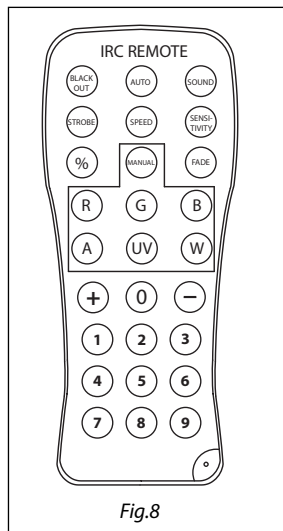


Fig.8

Automatic Mode

Automatic Mode will enable you to run the automatic programs on the product.

To turn on Automatic Mode:

1. Press AUTO on the controller.
2. Press + or – to choose between the different auto programs.

To adjust the speed of the automatic program:

1. Press SPEED on the controller.
2. Press %.
3. Press + or – to either increase or decrease the speed of the program.

Sound Active Mode

Sound Active Mode will enable the product to respond to the music.

To turn on Sound Active mode:

1. Press SOUND on the controller.

To adjust sound sensitivity in Sound Active mode:

1. Press SENSITIVITY on the controller.
2. Press %.
3. Press + or – to either increase or decrease sound sensitivity.

Manual Color Control

To choose a specific color with the controller:

1. Press MANUAL on the controller.
2. Press any number between 0-9 to choose your color.

To manually control the RGBAWP percentage:

3. Press MANUAL on the controller.
4. Press R, G, B, A, W or P to choose your color.
5. Press + or – to increase or decrease the percentage of each color.

Miscellaneous Operation

To adjust the strobe rate of the program:

1. Press STROBE on the controller.
2. Press + or – to increase or decrease the strobe rate.
3. Press STROBE again to turn off the strobe.

To change the switching effect of the program:

- Press FADE/SNAP on the controller.
- Fade will slowly switch the effect. Snap will rapidly switch the effect.

To black out the lights:

- Press BLACK OUT on the controller.
- This will turn off all the lights until the button is pressed again.

NOTE - The controller will not respond to any inputs when Black Out is activated. If the remote does not respond when a button is pressed, try pressing BLACK OUT. You may have inadvertently activated BLACK OUT.

- 4 - MAINTENANCE

4.1 MAINTENANCE AND CLEANING THE UNIT

- Make sure the area below the installation place is free from unwanted persons during setup.
- Switch off the unit, unplug the main cable and wait until the unit has cooled down.
- All screws used for installing the device and any of its parts should be tightly fastened and should not be corroded.
- Housings, fixations and installation spots (ceiling, trusses, suspensions) should be totally free from any deformation.
- The main cables must be in impeccable condition and should be replaced immediately even when a small problem is detected.
- It is recommended to clean the front at regular intervals, from impurities caused by dust, smoke, or other particles to ensure that the light is radiated at maximum brightness. For cleaning, disconnect the main plug from the socket. Use a soft, clean cloth moistened with a mild detergent. Then carefully wipe the part dry. For cleaning other housing parts use only a soft, clean cloth. Never use a liquid, it might penetrate the unit and cause damage to it.

4.2 FUSE REPLACEMENT

1. Disconnect this product from the power outlet.
2. Remove the safety cap by a screwdriver.
3. Replace the blown fuse with a fuse of the exact same type and rating.
4. Install the safety cap, and reconnect power.

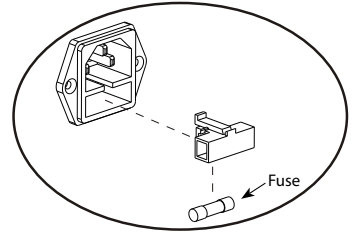


Fig.9

4.3 TROUBLESHOOTING

Problems	Possible causes	Checks and remedies
Fixture does not light up	<ul style="list-style-type: none"> • No mains supply • Dimmer fader set to 0 • All color faders set to 0 • Faulty LED • Faulty LED board 	<ul style="list-style-type: none"> • Check the power supply voltage • Increase the value of the dimmer channels • Increase the value of the color channels • Replace the LED board • Replace the LED board
General low light intensity	<ul style="list-style-type: none"> • Dirty lens assembly • Misaligned lens assembly 	<ul style="list-style-type: none"> • Clean the fixture regularly • Install lens assembly properly
Fixture does not power up	<ul style="list-style-type: none"> • No power • Loose or damaged power cord • Faulty internal power supply 	<ul style="list-style-type: none"> • Check for power on power outlet • Check power cord • Replace internal power supply
Fixture does not respond to DMX	<ul style="list-style-type: none"> • Wrong DMX addressing • Damaged DMX cables • Bouncing signals 	<ul style="list-style-type: none"> • Check control panel and unit addressing • Check DMX cables • Install terminator as suggested

Contact an authorized service center in case of technical problems or not reported in the table can not be resolved by the procedure given in the table.

Music & Lights S.r.l. si riserva ogni diritto di elaborazione in qualsiasi forma delle presenti istruzioni per l'uso.
La riproduzione - anche parziale - per propri scopi commerciali è vietata.

Al fine di migliorare la qualità dei prodotti, la Music&Lights S.r.l. si riserva la facoltà di modificare, in qualunque momento e senza preavviso, le specifiche menzionate nel presente manuale di istruzioni. Tutte le revisioni e gli aggiornamenti sono disponibili nella sezione 'Manuali' sul sito www.musiclights.it

INDICE	Sicurezza	
	Avvertenze generali	4
	Attenzioni e precauzioni per l'installazione	4
	1 Introduzione	
	1.1 Descrizione	5
	1.2 Specifiche tecniche	5
	1.2 Elementi di comando e di collegamento	7
	2 Installazione	
	2.1 Montaggio	8
	3 Funzioni e impostazioni	
	3.1 Funzionamento	9
	3.2 Impostazione base	9
	3.3 Struttura menu	10
	3.4 Autoshow	10
	3.5 Static Color	11
	3.6 Modalità Musicale	11
	3.7 Manual Color	11
	3.8 Funzione dimmer	11
	3.9 Collegamento	11
	3.10 Configurazione canali DMX	11
	3.11 Indirizzamento DMX	12
	3.12 Collegamenti della linea DMX	13
	3.13 Costruzione del terminatore DMX	13
	3.14 Canali DMX	14
	3.15 Funzionamento tramite il controller IRC	15
	4 Manutenzione	
	4.1 Manutenzione e pulizia del sistema ottico	16
	4.2 Sostituzione fusibile	16
	4.3 Risoluzione dei problemi	16

Contenuto dell'imballo:	<ul style="list-style-type: none"> • LUMIPAR12UH3P • Staffa di fissaggio (2pz.) • Cavo di alimentazione • Manuale utente
--------------------------------	--------------------------------------------------------------------------------------------------------------------------------------------------------------------




ATTENZIONE! Prima di effettuare qualsiasi operazione con l'unità, leggere con attenzione questo manuale e conservarlo accuratamente per riferimenti futuri. Contiene informazioni importanti riguardo l'installazione, l'uso e la manutenzione dell'unità.



SICUREZZA

Avvertenze generali

- I prodotti a cui questo manuale si riferisce sono conformi alle Direttive della Comunità Europea e pertanto recano la sigla **CE**.
- Il dispositivo funziona con pericolosa tensione di rete 230V~. Non intervenire mai al suo interno al di fuori delle operazioni descritte nel presente manuale; esiste il pericolo di una scarica elettrica.
- È obbligatorio effettuare il collegamento ad un impianto di alimentazione dotato di un'efficiente messa a terra (apparecchio di Classe I secondo norma EN 60598-1). Si raccomanda, inoltre, di proteggere le linee di alimentazione delle unità dai contatti indiretti e/o cortocircuiti verso massa tramite l'uso di interruttori differenziali opportunamente dimensionati.
- Le operazioni di collegamento alla rete di distribuzione dell'energia elettrica devono essere effettuate da un installatore elettrico qualificato. Verificare che frequenza e tensione della rete corrispondono alla frequenza ed alla tensione per cui l'unità è predisposta, indicate sulla targhetta dei dati elettrici.
- L'unità non per uso domestico, solo per uso professionale.
- Evitare di utilizzare l'unità:
 - in luoghi soggetti a vibrazioni, o a possibili urti;
 - in luoghi a temperatura superiore ai 45°C.
- Evitare che nell'unità penetrino liquidi infiammabili, acqua o oggetti metallici.
- Non smontare e non apportare modifiche all'unità.
- Tutti gli interventi devono essere sempre e solo effettuati da personale tecnico qualificato. Rivolgersi al più vicino centro di assistenza tecnica autorizzato.
- Se si desidera eliminare il dispositivo definitivamente, consegnarlo  per lo smaltimento ad un'istituzione locale per il riciclaggio.

Attenzioni e precauzioni per l'installazione

- Se il dispositivo dovesse trovarsi ad operare in condizioni differenti da quelle descritte nel presente manuale, potrebbero verificarsi dei danni; in tal caso la garanzia verrebbe a decadere. Inoltre, ogni altra operazione potrebbe provocare cortocircuiti, incendi, scosse elettriche, rotture etc.
- Prima di iniziare qualsiasi operazione di manutenzione o pulizia sull'unità togliere la tensione dalla rete di alimentazione.
- È assolutamente necessario proteggere l'unità per mezzo di una fune di sicurezza. Nell'eseguire qualsiasi intervento attenersi scrupolosamente a tutte le normative (in materia di sicurezza) vigenti nel paese di utilizzo.
- Installare l'unità in un luogo ben ventilato.
- Mantenere i materiali infiammabili ad una distanza di sicurezza dall'unità.
- I filtri, le lenti o gli schermi ultravioletti se danneggiati possono limitare la loro efficienza.
- I LED devono essere sostituiti se danneggiati o termicamente deformati.
- Non guardare direttamente il fascio luminoso. Tenete presente che i veloci cambi di luce possono provocare attacchi d'epilessia presso persone fotosensibili o epilettiche.
- Non toccare l'alloggiamento del prodotto quando è in funzione perché potrebbe essere molto caldo.

- 1 - INTRODUZIONE

1.1 DESCRIZIONE

LUMIPAR12UH3P è un ParLED ultrasottile per uso professionale, progettato per essere un potente wash ed offrire una straordinaria resa cromatica attraverso il nuovo design ottico e la sorgente luminosa basata sulla miscelazione a 6 colori. LUMIPAR12UH è compatibile con il telecomando infrarossi, per un uso intuitivo e interattivo senza bisogno di unità DMX esterne e può anche essere controllato in wireless tramite il ricetrasmittotore Wi-Fi USB opzionale in combinazione con Wifibox e l'app per smartphone SmartColor

1.2 SPECIFICHE TECNICHE

SORGENTE LUMINOSA

- Sorgente: 12x8W RGBWAP LEDs
- Flusso luminoso: 2537lm
- Lux: 963,5lux @3m
- Durata media sorgente: >50.000 h

OTTICA

- Angolo di proiezione: 25°
- Angolo di campo: 45°
- Diametro: 38mm
- Ottiche aggiuntive: 25° (inc) - 45° (op)

SISTEMA COLORE

- Miscelazione del colore: RGBWAP/FC
- Preset bianchi: 3200~10000K
- Ruota colori: ruota colori virtuale con preset
- Macros: preset bianchi incorporati

EFFETTI DINAMICI

- Modalità colore statico: riproduzione statica di un colore
- Modalità colore manuale: regolazione manuale dimmer e strobo
- Auto mode: programmi integrati con regolazione della velocità di esecuzione

CORPO

- Corpo: corpo in alluminio pressofuso ad alta resistenza
- Colore: nero

CONTROLLO

- Protocolli: DMX512
- Canali DMX: 6/11channel
- Display: display LED
- Aggiornamento firmware: si, con interfaccia USB-DMX (UPBOX1) non inclusa
- IR: controllo remoto tramite IR
- Master/Slave: per il controllo di più unità collegate in catena

ELETTRONICA

- Dimmer: 0~100% lineare, elettronico
- Strobo / shutter: 1-28 Hz, elettronico
- Temperatura d'esercizio: -10° ~ +45°
- Flicker: funzionamento senza sfarfallio

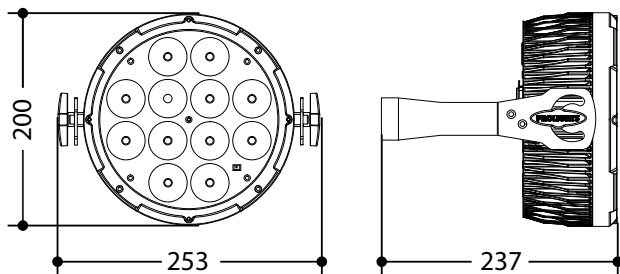
ALIMENTAZIONE

- Alimentazione elettrica: 100-240V – 50/60Hz
- Potenza assorbita (a 230V): 83W
- Potenza assorbita (a 120V): 84,5W

- Output (a 230V): 30 unità connesse in serie
- Output (a 120V): 16 unità connesse in serie

CARATTERISTICHE FISICHE

- Raffreddamento: proiettore privo di ventole e struttura disegnata per una dissipazione a convezione naturale
- Sospensione e fissaggio: doppia staffa per il fissaggio in sospensione e per il posizionamento del proiettore da terra
- Dati: porta USB per ricetrasmittitore USB WIFI (opzionale)
- Connessione di segnale: XLR 3p IN/OUT connectors
- Connessione di alimentazione: varianti disponibili
- Grado IP: 44
- Dimensioni (LxAxP): 253x200x237mm
- Peso: 3.3kg



Disegno tecnico

Fig.1

1.3 ELEMENTI DI COMANDO E COLLEGAMENTI

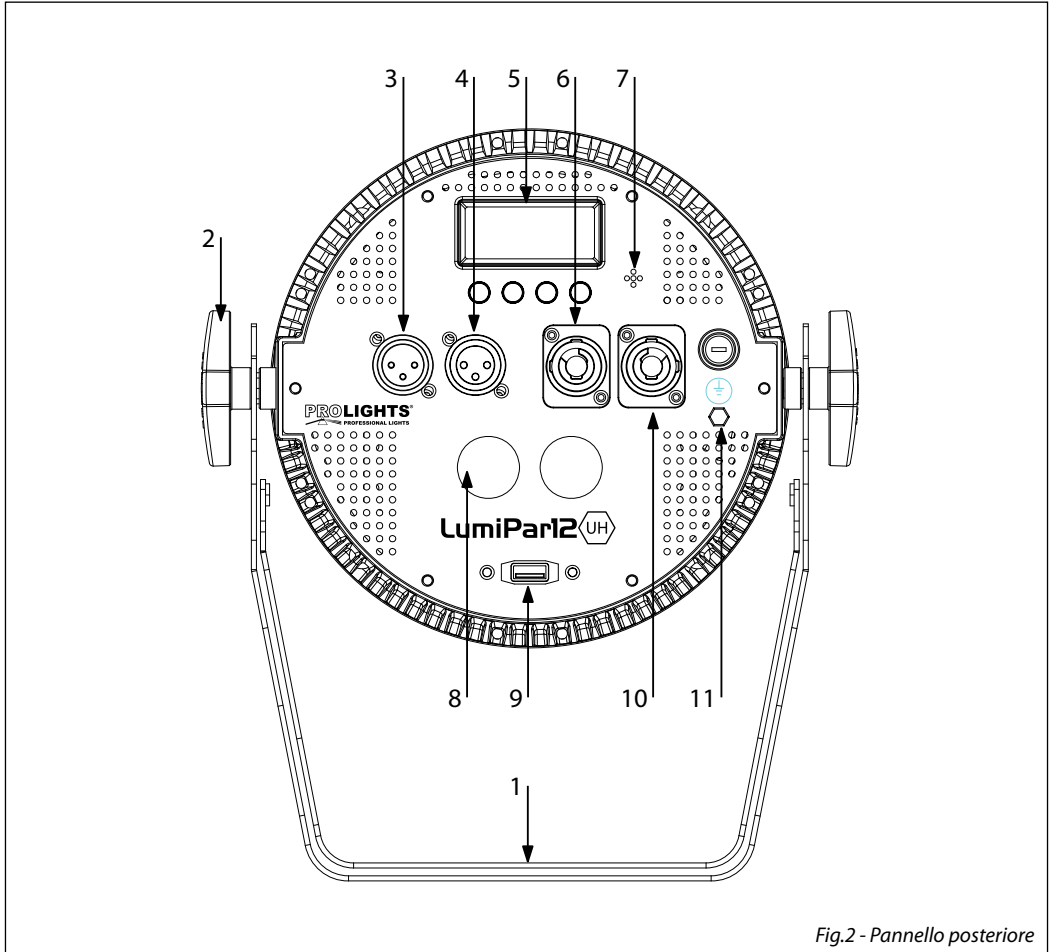


Fig.2 - Pannello posteriore

1. STAFFA DI MONTAGGIO.
2. MANOPOLA DI FISSAGGIO per la staffa di montaggio.
3. DMX IN (XLR a 3 poli):
1 = massa, 2 = DMX -, 3 = DMX +.
4. DMX OUT (XLR a 3 poli):
1 = massa, 2 = DMX -, 3 = DMX +.
5. PANNELLO DI CONTROLLO con display e 4 pulsanti per accesso e gestione delle diverse funzioni.
6. POWER IN (PowerCON IN): per il collegamento ad una presa di rete (100-240V~/50-60Hz) tramite il cavo rete in dotazione.
7. MICROFONO per il comando tramite segnale musicale.
8. SAFETY EYE per l'aggancio al cavo di sicurezza.
9. Universal Serial Bus (USB).
10. POWER OUT (PowerCON OUT): collegamento per l'alimentazione all'unità successiva.
11. GND POINT usato per la messa a terra del dispositivo.

- 2 - INSTALLAZIONE

2.1 MONTAGGIO

Il LUMIPAR12UH3P può essere collocata su un piano solido. Inoltre, grazie alle possibilità di fissaggio sulla doppia staffa (fig.3), l'unità può essere montata anche a testa in giù, su una traversa. Per il fissaggio occorrono dei supporti robusti per il montaggio. L'area di collocazione deve avere una stabilità sufficiente a supportare almeno 10 volte il peso dell'unità.

Inoltre assicurarsi di rispettare tutte le avvertenze in materia di sicurezza.

- Fissare il proiettore attraverso l'apposita staffa (1) ad una collocazione idonea.
- È assolutamente necessario assicurare il proiettore contro la caduta utilizzando un cavo di sicurezza: in particolare collegare il cavo in un punto adatto in modo che la caduta del proiettore non possa superare i 20 cm.
- Orientare il proiettore intervenendo, se necessario, sulla manopola della staffa di montaggio (2).

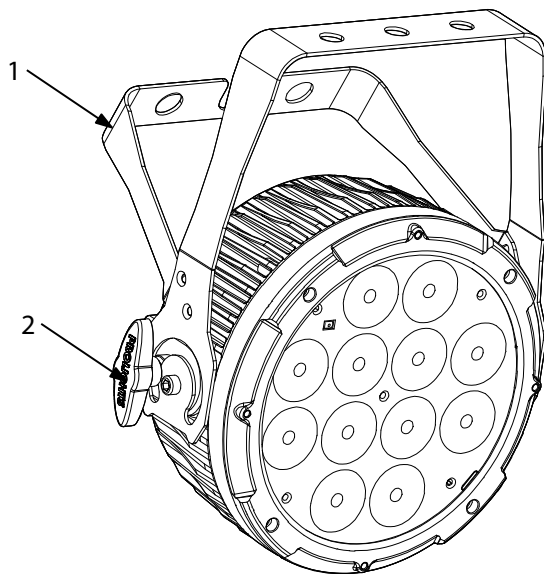


Fig.3

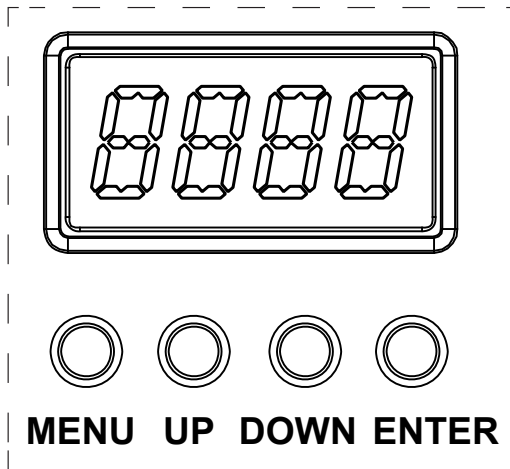
- 3 - FUNZIONI E IMPOSTAZIONI

3.1 FUNZIONAMENTO

Per accendere il LUMIPAR12UH3P, inserire la spina del cavo di alimentazione in una presa di rete (100-240V~/50-60Hz). L'unità può essere comandata da un unità DMX di comando luce oppure svolgere autonomamente il suo programma. Per spegnere il LUMIPAR12UH3P, staccare la spina dalla presa di rete. Per maggiore comodità è consigliabile collegare l'unità con una presa comandata da un interruttore.

3.2 IMPOSTAZIONE BASE

Il LUMIPAR12UH3P dispone di un LED display e 4 pulsanti per accesso alle funzioni del pannello di controllo (fig.4).



MENU	UP	DOWN	ENTER
Per scorrere il menu principale o tornare ad una opzione del menu precedente	Per scorrere attraverso le diverse funzioni in ordine discendente o aumentare il valore della funzione stessa	Per scorrere attraverso le diverse funzioni in ordine ascendente o diminuire il valore della funzione stessa	Per entrare nel menu selezionato o confermare il valore attuale della funzione o l'opzione all'interno di un menu

Fig.4 - Funzione dei tasti

3.3 STRUTTURA MENU

	MENU		
1	DMX Personality and Starting Address	6 CH ⇨ d1 - d512 11 CH ⇨ d1 - d512	Selects DMX personality and DMX starting value
2	Static Colors	C-- ⇨ C1 - C63	Selects 1 of 63 static colors
3	Auto Programs	P-- ⇨ P1 - P4	Selects 1 of 4 auto programs
4	Programs Speed	S-- ⇨ S1 - S100	Sets auto program speed (slow to fast)
5	Sound Active	Snd ⇨ Snd1 - Snd2	Selects Sound Active mode
6	Sound Sensitivity	SenS ⇨ u0 - u100	Sets sound sensitivity (low to high)
7	Custom Color Mixing	U-- ⇨ r0 - r255 ⇨ g0 - g255 ⇨ b0 - b255 ⇨ A0 - A255 ⇨ W0 - W255 ⇨ P0 - P255	Red (0-100%) Green (0-100%) Blue (0-100%) Amber (0-100%) White (0-100%) Purple (0-100%)
8	Dimmer	dIM ⇨ OFF ⇨ dIM1 ⇨ dIM2 ⇨ dIM3	OFF: Dimmer speed off DIM1: Dimmer speed fast DIM2: Dimmer speed middle DIM3: Dimmer speed slow
9	Infrared	SET ⇨ ON ⇨ OFF	Turns infrared on or off

3.4 AUTOSHOW

Per entrare nella modalità automatica e permettere all'unità di svolgere il suo programma Show autonomamente:

- Premere il tasto MENU fino a quando sul display non appare **P--**.
- Usare i tasti UP/DOWN per selezionare il programma **P1 - P4**
- L'unità entrerà nella modalità automatica mandando in esecuzione il programma pre-impostato per il quale è possibile regolare la velocità di esecuzione.
- Per impostare la velocità di esecuzione premere il tasto MENU fino a quando sul display non appare **S--**, quindi utilizzare i tasti UP/DOWN per selezionare la velocità di esecuzione desiderata **S001 - S100** (Slow-Fast). Premere il tasto ENTER per salvare l'impostazione.
- Premere il tasto MENU per tornare indietro o attendere alcuni secondi per uscire dal menu di impostazione.

3.5 STATIC COLOR

L'unità dispone di preset colori pre-programmati che possono essere impostati attraverso la seguente procedura:

- Premere il tasto MENU fino a quando sul display non appare **C-**.
- Utilizzare i tasti UP/DOWN per selezionare uno dei preset **C1 - C63**. Premere il tasto ENTER per salvare l'impostazione.

3.6 MODALITÀ MUSICALE

Nella modalità musicale l'unità può essere comandata tramite la musica. In presenza di segnale musicale, con un determinato ritmo nei bassi e con volume sufficiente, tramite il microfono si comanda il LUMIPAR12UH3P. Se il comando musicale non dovesse funzionare perfettamente, aumentare il volume o ridurre la distanza fra sorgente audio e l'unità oppure alternativamente aumentare la sensibilità del microfono.

- Per entrare nella modalità musicale, premere il tasto MENU fino a quando sul display non appare **Snd**.
- Utilizzare i tasti UP/DOWN per selezionare la modalità desiderata tra **Snd1** e **Snd2** e premere ENTER.
- È possibile regolare la sensibilità del microfono integrato premendo MENU fino a quando sul display non appare **Sens**.
- Premere il tasto UP/DOWN per impostare il valore desiderato **u0-u100** e premere il tasto ENTER.

3.7 MANUAL COLOR

Per impostare il bilanciamento personalizzato dei colori:

- Premere il tasto MENU fino a quando sul display non appare **U-**, quindi premere il tasto ENTER.
- Selezionare il colore **r, g, b, A, W, P** attraverso il tasto ENTER.
- Utilizzare i tasti UP/DOWN per impostare il valore desiderato **000 - 255**.
- Premere il tasto ENTER per confermare e passare al successivo colore.
- Continuare fino ad ottenere la miscelazione del colore.
- Premere il tasto MENU per tornare indietro o attendere alcuni secondi per uscire dal menu di impostazione.

3.8 FUNZIONE DIMMER

- Per entrare nella modalità dimmer e scegliere e simulare diverse curve dimming, premere il tasto MENU ripetutamente fino a quando sul display non compare **dim**, quindi premere il tasto ENTER.
- Premere il tasto UP/DOWN per selezionare **OFF - dim1 - dim2 - dim3**. Premere il tasto ENTER per confermare.
- Premere il tasto MENU per tornare indietro o attendere alcuni secondi per uscire dal menu di impostazione.

3.9 COLLEGAMENTO

Si possono collegare più unità affinché tutte le unità secondarie abbiano lo stesso effetto luce dell'unità principale (Master). Servirsi dei connettori DMX del LUMIPAR12UH3P e di un cavo XLR per formare una catena di unità. In certe condizioni e lunghezze si consiglia di effettuare una terminazione come mostrato a pagina 14.

1. Collegare l'uscita DMX OUT dell'unità principale con l'ingresso DMX IN della prima unità secondaria servendosi di un cavo XLR a 3 poli.
2. Collegare l'uscita DMX OUT della prima unità secondaria con l'ingresso DMX IN della seconda unità secondaria ecc.

3.10 CONFIGURAZIONE CANALI DMX

Il LUMIPAR12UH3P dispone di due configurazioni dei canali DMX a cui si può accedere dal pannello di controllo.

- Premere il tasto MENU per selezionare la configurazione dei canali DMX che si desidera (**6CH - 11CH**). Premere il tasto ENTER per confermare.
- Premere il tasto UP/DOWN per selezionare il valore desiderato (**001-512**); tenere premuto invece il tasto UP/DOWN per lo scorrimento veloce.
- Premere il tasto ENTER per confermare l'impostazione.
- Premere il tasto MENU per tornare indietro o per uscire dal menu d'impostazione.

Le tabelle a pagina 15 indicano le modalità di funzionamento e i relativi valori DMX. Come interfaccia DMX, l'unità possiede dei contatti XLR a 3 poli.

3.11 INDIRIZZAMENTO DMX

Per poter comandare il LUMIPAR12UH3P con un'unità di comando luce, occorre impostare l'indirizzo di start DMX per il primo canale DMX. Se, per esempio, sull'unità di comando è previsto l'indirizzo 33 per comandare la funzione del primo canale DMX, si deve impostare sul LUMIPAR12UH3P l'indirizzo di start 33. Le altre funzioni del pannello saranno assegnate automaticamente agli indirizzi successivi.

Numero canali DMX	Indirizzo di start (esempio)	Indirizzo DMX occupati	Prossimo indirizzo di start possibile per unità n°1	Prossimo indirizzo di start possibile per unità n°2	Prossimo indirizzo di start possibile per unità n°3
6	33	33-38	39	45	51
11	33	33-41	44	55	66

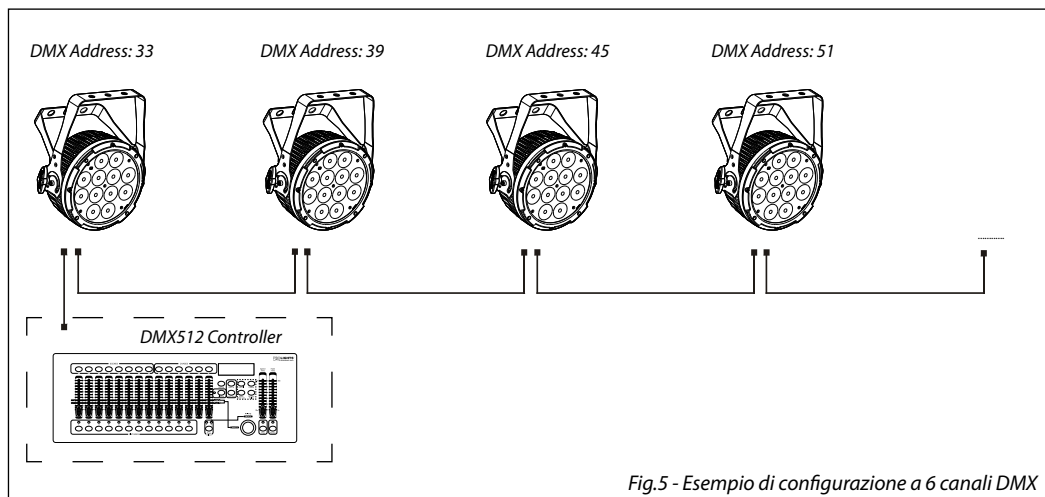
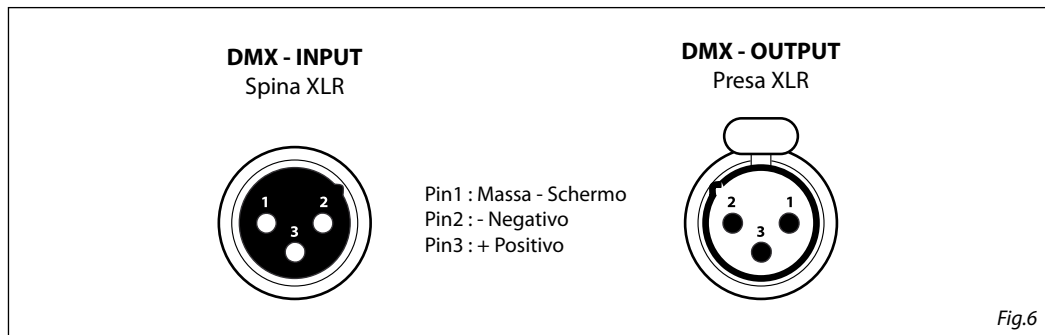


Fig.5 - Esempio di configurazione a 6 canali DMX

3.12 COLLEGAMENTI DELLA LINEA DMX

La connessione DMX è realizzata con connettori standard XLR. Utilizzare cavi schermati, 2 poli ritorti, con impedenza 120Ω e bassa capacità.

Per il collegamento fare riferimento allo schema di connessione riportato di seguito:



ATTENZIONE

La parte schermata del cavo (calza) non deve mai essere collegata alla terra dell'impianto; ciò comporterebbe malfunzionamenti delle unità e dei controller.

Per passaggi lunghi può essere necessario l'inserimento di un amplificatore DMX.

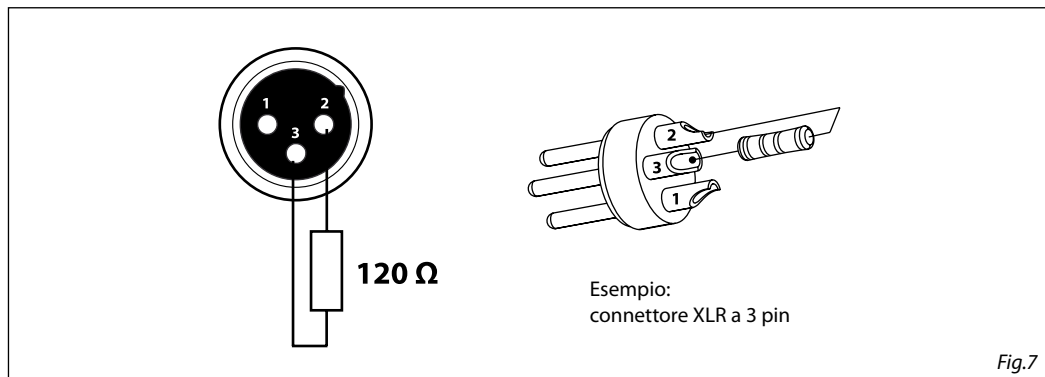
In tal caso, è sconsigliato utilizzare nei collegamenti cavo bilanciato microfonico poiché non è in grado di trasmettere in modo affidabile i dati di controllo DMX.

- Collegare l'uscita DMX del controller con l'ingresso DMX della prima unità;
- Collegare, quindi, l'uscita DMX con l'ingresso DMX della successiva unità; l'uscita di quest'ultima con l'ingresso di quella successiva e via dicendo finché tutte le unità sono collegate formando una catena.
- Per installazioni in cui il cavo di segnale deve percorrere lunghe distanze è consigliato inserire sull'ultima unità una terminazione DMX.

3.13 COSTRUZIONE DEL TERMINATORE DMX

La terminazione evita la probabilità che il segnale DMX 512, una volta raggiunta la fine della linea stessa venga riflesso indietro lungo il cavo, provocando, in certe condizioni e lunghezze, la sua sovrapposizione al segnale originale e la sua cancellazione.

La terminazione deve essere effettuata, sull'ultima unità della catena, con connettori XLR a 3 pin, saldando una resistenza di 120Ω (minimo $1/4W$) tra i terminali 2 e 3, così come indicato in figura.



3.14 CANALI DMX

6 CANALI

MODE 6 Ch	FUNCTION	DMX Value
1	RED 0~100%	000 - 255
2	GREEN 0~100%	000 - 255
3	BLUE 0~100%	000 - 255
4	AMBER 0~100%	000 - 255
5	WHITE 0~100%	000 - 255
6	PURPLE 0~100%	000 - 255

11 CANALI

MODE 11 Ch	FUNCTION	DMX Value
1	RED 0~100%	000 - 255
2	GREEN 0~100%	000 - 255
3	BLUE 0~100%	000 - 255
4	AMBER 0~100%	000 - 255
5	WHITE 0~100%	000 - 255
6	PURPLE 0~100%	000 - 255
7	COLOR MACRO No Function Color Macros	000 - 015 016 - 255
8	STROBE No Function Strobe slow to fast	000 - 015 016 - 255
	PROGRAM SPEED Speed slow to fast	000 - 255
	SOUND SENSITIVITY Sound sensitivitiy OFF Control the sound sensitivity	000 - 010 011 - 255
9	PROGRAMS No function 0 - 100% 100%-0 100%-0-100% Colors Fade 6 Colors snap 63 Colors snap Sound Control	000 - 031 032 - 063 064 - 095 096 - 127 128 - 159 160 - 191 192 - 223 224 - 255
10	DIMMER 0~100%	000 - 255
11	DIMMER SPEED MODE Preset dimmer speed from display menu Dimmer speed mode off Dimmer speed mode 1 (fast speed) Dimmer speed mode 2 (middle speed) Dimmer speed mode 3 (slow speed)	000 - 051 052 - 101 102 - 152 153 - 203 204 - 255

3.15 FUNZIONAMENTO TRAMITE IL CONTROLLER IRC

Per comandare il LUMIPAR12UH3P con il telecomando a raggi infrarossi:

- Premere il tasto MENU fino a quando sul display non appare **SET**, quindi premere ENTER per confermare.
- Utilizzare i tasti UP/DOWN per selezionare **On** oppure **Off** a seconda che si voglia attivare oppure disattivare il controllo con il telecomando a raggi infrarossi.
- Premere ENTER per confermare la scelta.

NOTA - Assicurarsi di puntare il telecomando direttamente verso il ricevitore dell'unità.

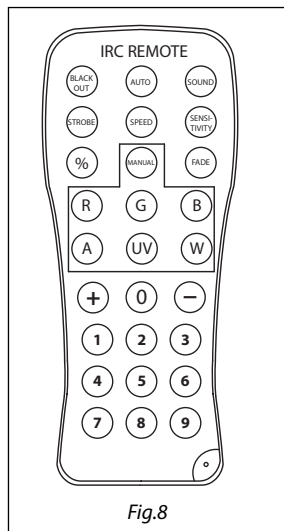


Fig.8

Modalità Automatica

La modalità Automatica consente di eseguire i programmi automatici dell'unità. Per passare in modalità Automatica:

1. Premere AUTO sul telecomando.
2. Premere + oppure - per scegliere i diversi programmi automatici.

Per regolare la velocità del programma automatico:

1. Premere SPEED sul telecomando.
2. Premere %.
3. Premere + oppure - per aumentare o diminuire la velocità del programma.

Modalità Sound Active

La modalità Sound Active abilita l'unità per il funzionamento a tempo di musica. Per attivare la modalità Sound Active:

1. Premere SOUND sul telecomando.

Per regolare la sensibilità sonora in modalità Sound Active:

1. Premere SENSITIVITY sul telecomando.
2. Premere %.
3. Premere + oppure - per aumentare o diminuire la sensibilità sonora.

Controllo manuale del colore

Per scegliere un colore specifico con il telecomando:

1. Premere MANUAL sul telecomando.
2. Premere un numero da 0 a 9 per scegliere il colore.

Per controllare manualmente la percentuale RGBAWP:

3. Premere MANUAL sul telecomando.
4. Premere R, G, B, A, W o P per scegliere il colore.
5. Premere + oppure - per aumentare o diminuire la percentuale di ciascun colore..

Operazioni varie

Per regolare la velocità di lampeggio stroboscopico del programma:

1. Premere STROBE sul telecomando.
2. Premere + oppure - per aumentare o diminuire la velocità di lampeggio.
3. Premere di nuovo STROBE per disattivare il lampeggio.

Per modificare l'effetto di commutazione del programma:

- Premere FADE/SNAP sul telecomando.
- Fade cambia lentamente l'effetto. Snap cambia rapidamente l'effetto.

Per oscurare le luci:

- Premere BLACK OUT sul telecomando.
- Verranno spente tutte le luci fino alla successiva pressione del pulsante.

NOTA - Il telecomando non risponde ad alcun input quando è attivo il Black Out. Se il telecomando non risponde quando viene premuto un pulsante, provare a premere Black Out; probabilmente il BLACK OUT era stato attivato involontariamente.

- 4 - MANUTENZIONE

4.1 MANUTENZIONE E PULIZIA DEL SISTEMA OTTICO

- Durante gli interventi, assicurarsi che l'area sotto il luogo di installazione sia libera da personale non qualificato.
- Spegnerne l'unità, scollegare il cavo di alimentazione ed aspettare finché l'unità non si sia raffreddata.
- Tutte le viti utilizzate per l'installazione dell'unità e le sue parti devono essere assicurate saldamente e non devono essere corrose.
- Alloggiamenti, elementi di fissaggio e di installazione (soffitto, truss, sospensioni) devono essere totalmente esenti da qualsiasi deformazione.
- I cavi di alimentazione devono essere in condizione impeccabile e devono essere sostituiti immediatamente nel momento in cui anche un piccolo problema viene rilevato.
- Si dovrebbe procedere, ad intervalli regolari, alla pulizia della parte frontale per asportare polvere, fumo e altre particelle. Solo così, la luce può essere irradiata con la luminosità massima. Per la pulizia usare un panno morbido, pulito e un detergente per vetri come si trovano in commercio. Quindi asciugare le parti delicatamente.

4.2 SOSTITUZIONE FUSIBILE

1. Assicurarsi di scollegare il cavo di alimentazione del proiettore prima di sostituire un fusibile bruciato con uno dello stesso tipo e valore.
2. Con un cacciavite, rimuovere il portafusibile dalla sua sede e il fusibile bruciato dal suo supporto; sostituire il fusibile con uno identico per tipologia e valore.
3. Inserire il portafusibile al suo posto e ricollegare l'alimentazione.

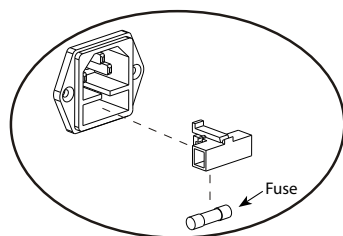
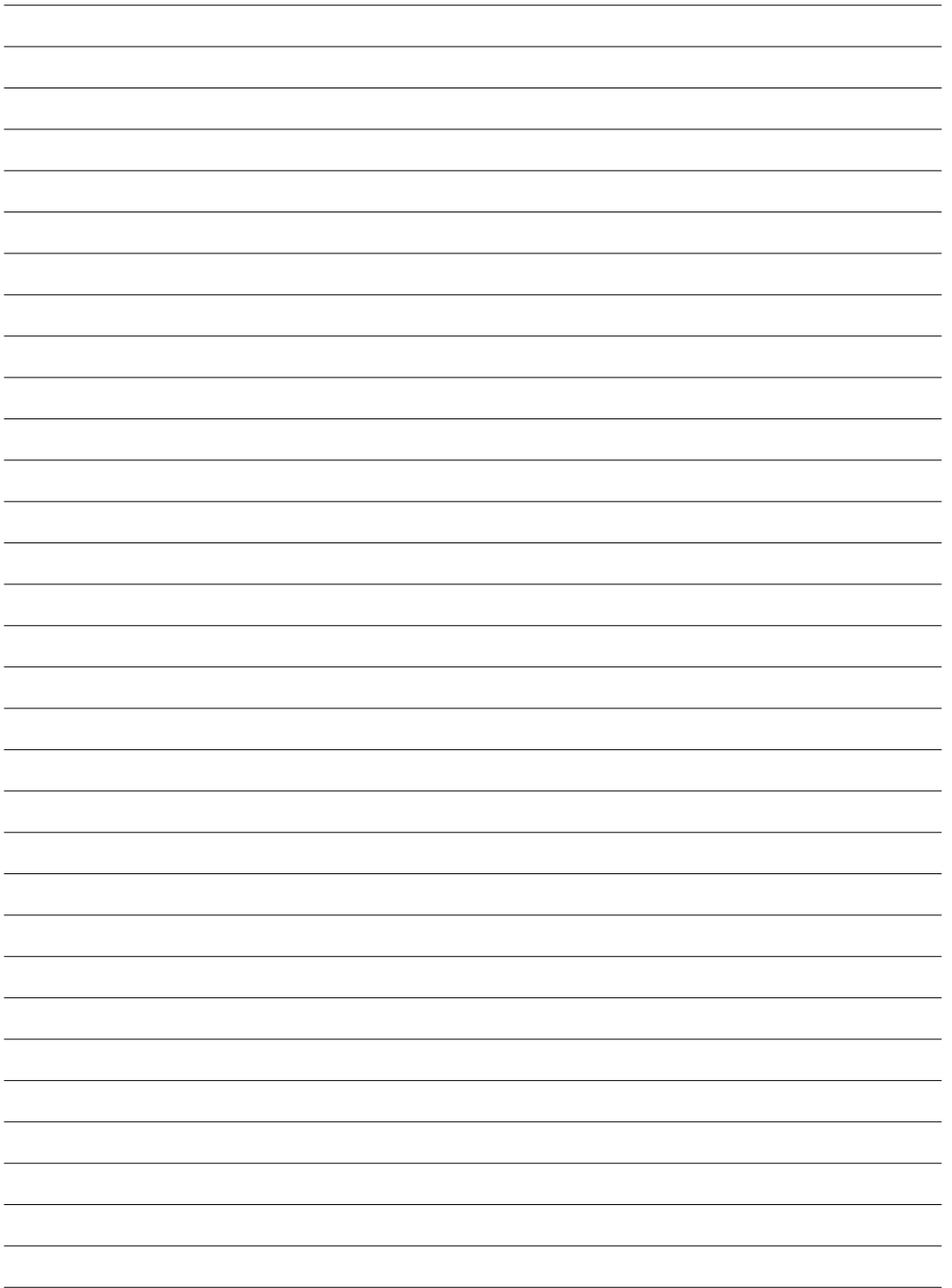


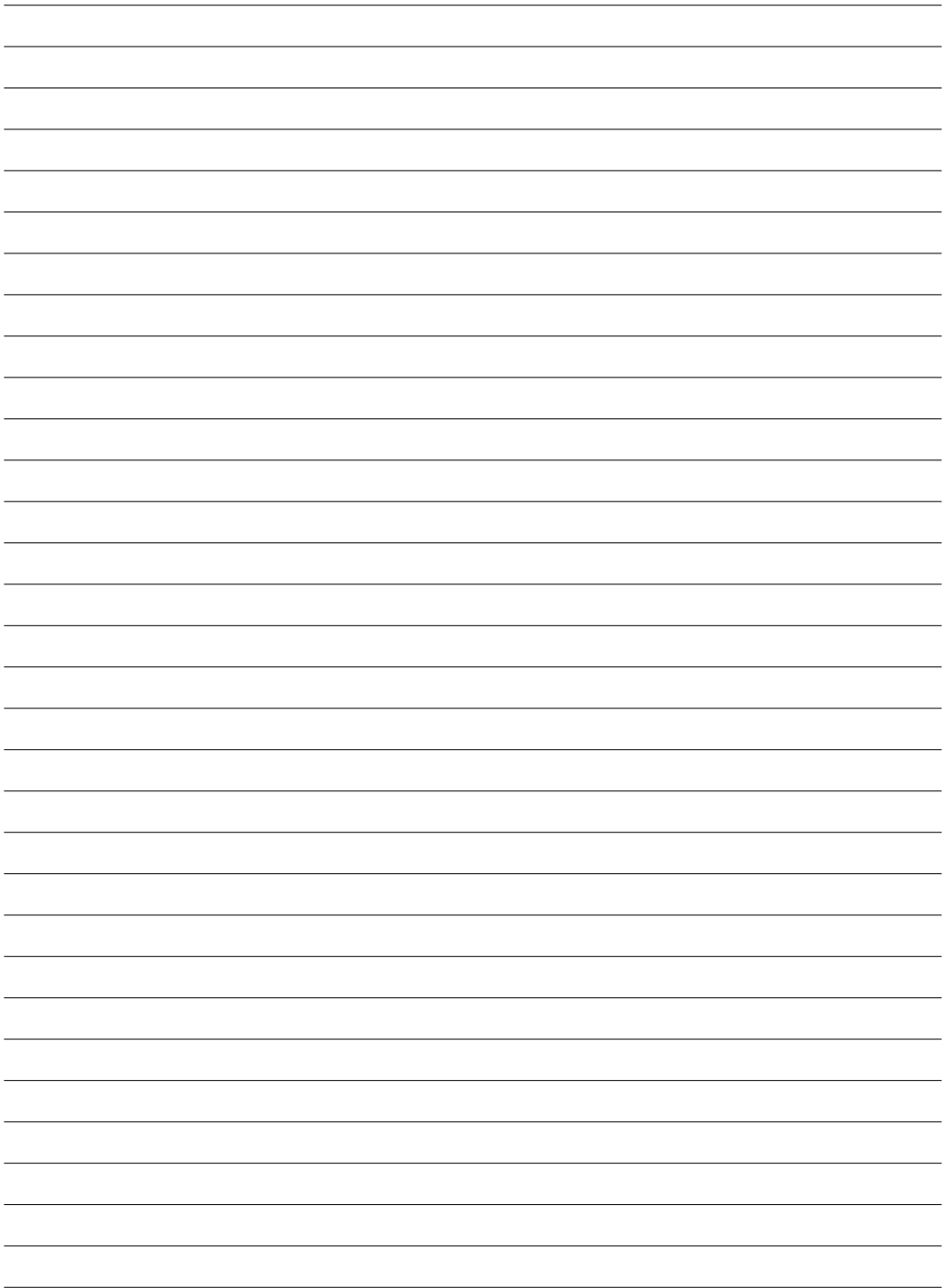
Fig.9

4.3 RISOLUZIONE DEI PROBLEMI

Anomalie	Possibili cause	Controlli e rimedi
Il dispositivo non illumina	<ul style="list-style-type: none"> • Mancanza di alimentazione di rete • Dimmer impostato a 0 • Tutti i colori impostati a 0 • LED difettoso/i • Scheda LED difettosa 	<ul style="list-style-type: none"> • Verificare la presenza della tensione alimentazione • Incrementare i valori del canale dimmer • Incrementare i valori dei canali colori • Sostituire scheda LED • Sostituire scheda LED
Bassa intensità di luce generale	<ul style="list-style-type: none"> • Lenti sporche 	<ul style="list-style-type: none"> • Pulire il dispositivo regolarmente
Il dispositivo non è alimentato	<ul style="list-style-type: none"> • Mancanza di alimentazione di rete • Cavo di alimentazione danneggiato • Alimentatore interno difettoso 	<ul style="list-style-type: none"> • Verificare la presenza della tensione alimentazione • Controllare il cavo di alimentazione • Sostituire l'alimentatore interno
Il dispositivo non risponde al DMX	<ul style="list-style-type: none"> • Indirizzamento DMX errato • Cavo di segnale DMX difettoso • Rimbalzo segnale DMX 	<ul style="list-style-type: none"> • Controllare il pannello di controllo e l'indirizzamento delle unità • Controllare il cavo di segnale DMX • Installare una terminazione DMX come suggerito

Rivolgersi a un centro di assistenza tecnico autorizzato nel caso in cui il problema non sia riportato in tabella.





TRIBE è un brand di proprietà della Music & Lights S.r.l. **TRIBE** is a brand of Music & Lights S.r.l.company.

©2019 Music & Lights S.r.l.

