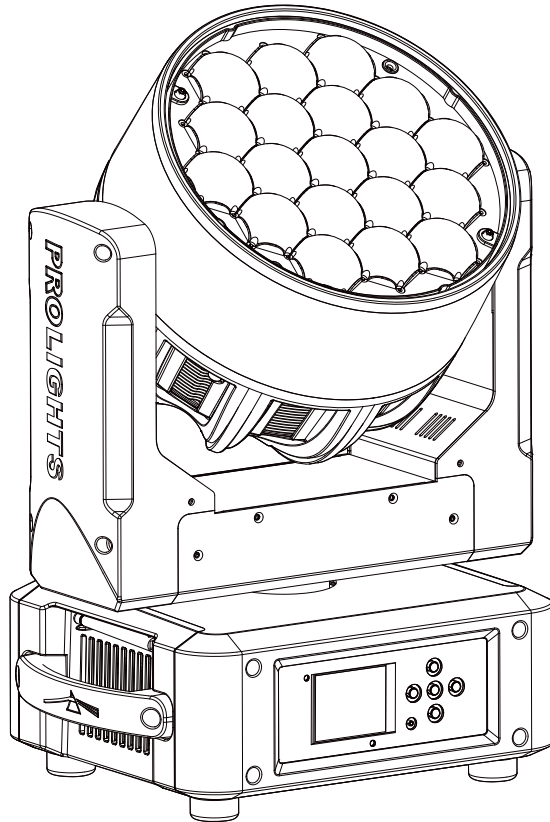


# DIAMOND19TW

LED MOVING HEAD



USER MANUAL  
MANUALE UTENTE

All rights reserved by Music & Lights S.r.l. No part of this instruction manual may be reproduced in any form or by any means for any commercial use.

In order to improve the quality of products, Music&Lights S.r.l. reserves the right to modify the characteristics stated in this instruction manual at any time and without prior notice.  
All revisions and updates are available in the 'manuals' section on site [www.musiclights.it](http://www.musiclights.it)

**TABLE OF CONTENTS****Safety**

General instructions .....	2
Warnings and installation precautions .....	2

**1 Introduction**

1.1 Description .....	3
1.2 Technical specifications .....	3
1.3 Operating elements and connections .....	5

**2 Installation**

2.1 Mounting .....	6
--------------------	---

**3 Functions and settings**

3.1 Operation .....	7
3.2 Basic .....	7
3.3 Menu structure .....	8
3.4 Slave Receive mode .....	10
3.5 Operation in automatic mode .....	11
3.6 Scenes Record mode .....	12
3.7 Music mode .....	12
3.8 Sensitivity microphone .....	13
3.9 Linking .....	13
3.10 DMX mode .....	13
3.11 DMX configuration .....	13
3.12 DMX addressing .....	14
3.13 Connection of the DMX line .....	15
3.14 Construction of the DMX termination .....	15
3.15 DMX control .....	16
3.16 Wireless control settings .....	19
3.17 Fixture settings .....	19
3.18 Lamp settings .....	19
3.19 Display settings .....	20
3.20 Fixture information .....	20
3.21 Reset functions .....	21
3.22 Special functions .....	21

**4 Maintenance**

4.1 Maintenance and cleaning the unit .....	24
4.2 Fuse replacement .....	24
4.3 Trouble shooting .....	25

**Packing content**

- DIAMOND19TW
- Mount bracket
- Power supply cable and signal cable
- Safety rope
- User manual




**WARNING! Before carrying out any operations with the unit, carefully read this instruction manual and keep it with care for future reference. It contains important information about the installation, usage and maintenance of the unit.**



## SAFETY

### General instruction

- The products referred to in this manual conform to the European Community Directives and are therefore marked with **CE**.
- The unit is supplied with hazardous network voltage (230V~). Leave servicing to skilled personnel only. Never make any modifications on the unit not described in this instruction manual, otherwise you will risk an electric shock.
- Connection must be made to a power supply system fitted with efficient earthing (Class I appliance according to standard EN 60598-1). It is, moreover, recommended to protect the supply lines of the units from indirect contact and/or shorting to earth by using appropriately sized residual current devices.
- The connection to the main network of electric distribution must be carried out by a qualified electrical installer. Check that the main frequency and voltage correspond to those for which the unit is designed as given on the electrical data label.
- This unit is not for home use, only professional applications.
- Never use the fixture under the following conditions:
  - in places wet;
  - in places subject to vibrations or bumps;
  - in places with an ambient temperature of over 45°C.
- Make certain that no inflammable liquids, water or metal objects enter the fixture.
- Do not dismantle or modify the fixture.
- All work must always be carried out by qualified technical personnel. Contact the nearest sales point for an inspection or contact the manufacturer directly.
- If the unit is to be put out of operation definitively, take it to a local recycling  plant for a disposal which is not harmful to the environment.

### Warnings and installation precautions

- If this device will be operated in any way different to the one described in this manual, it may suffer damage and the guarantee becomes void. Furthermore, any other operation may lead to dangers like short circuit, burns, electric shock, etc.
- Before starting any maintenance work or cleaning the projector, cut off power from the main supply.
- Always additionally secure the projector with the safety rope. When carrying out any work, always comply scrupulously with all the regulations (particularly regarding safety) currently in force in the country in which the fixture's being used.
- For inside use only. Not designed for outside use.
- The minimum distance between the fixture and surrounding walls must be more than 50 cm and the air vents at the housing must not be covered in any case.
- Install the fixture in a well ventilated place.
- Keep any inflammable material at a safe distance from the fixture.
- The maximum temperature that can be reached on the external surface of the fitting, in a thermally steady state, is high. After power off, please cool down over 15 minutes.
- Shields, lenses or ultraviolet screens shall be changed if they have become damaged to such an extent that their effectiveness is impaired.
- The lamp (LED) shall be changed if it has become damaged or thermally deformed.
- Never look directly at the light beam. Please note that fast changes in lighting, e. g. flashing light, may trigger epileptic seizures in photosensitive persons or persons with epilepsy.

## - 1 - INTRODUCTION

### 1.1 DESCRIPTION

DIAMOND19TW is a tunable white version of the stunning DIAMOND19 delivering a consistent 2600K-8000K output. The 6-66° zoom, even beam and precise colour calibration create a true workhorse fixture for an exhibition, corporate or broadcast environment.

### 1.2 TECHNICAL SPECIFICATIONS

#### LIGHT SOURCE

- Source: 19x15W warm white + cold white Osram Ostar LED
- CT: 2600~8000K
- CRI: 70-90
- Luminous flux: 9000lm
- Lux: (6°) 11805 - (66°) 1239lux @5m
- Source life expectancy: >50.000 h

#### OPTICS

- Zoom: 6-66° motorised linear zoom
- Lens type: honeycomb gapless plano-convex optics

#### COLOUR SYSTEM

- Colour mixing: tunable white
- CTC: CTC control through independent DMX channel
- White presets: 2600~8000K
- Colour wheel: built-in white presets

#### BODY

- Pan angle: 630°
- Tilt angle: 265°
- Pan/Tilt resolution: bit 8/16 bit
- Feedback: automatic repositioning after accidental movement
- Body: aluminium structure with hi-resistance polycarbonate cover
- Body colour: black

#### CONTROL

- Protocols: DMX512, RDM
- DMX channels: 12/13/14/20channel
- W-DMX: included, wireless solution receiver
- RDM: RDM ready for fixture remote monitor and settings
- Display: LCD high resolution colour display
- Firmware upgrade: yes, via USB-DMX interface (UPBOX2) not included
- Hibernation: power safe mode when lost DMX
- Master/Slave: for synchronized operation of more units linked in a chain

#### ELECTRONICS

- Dimmer: linear 0~100% electronic dimmer
- Strobe / shutter: 1-25 Hz, electronic
- Battery backup: battery backup for user operation without connecting to the main power

- Operating temperature: -10° ~ +45°
- Flicker: flicker free operation

**ELECTRICAL**

- Power supply: 100-240V – 50/60Hz
- Power consumption (at 230V): 316W
- Output (at 230V): 6 units on a single power line

**PHYSICAL**

- Cooling: combination of heat pipe cooling system and low noise fan
- Sospension and fixing: any position with quick-lock omega brackets
- Signal connection: Amphenol XLR 3p IN/OUT connectors
- Power connection: Neutrik powerCON IN/OUT connectors
- IP rating: 20
- Dimensions (WxHxD): 338x449x235mm
- Weight: 11kg

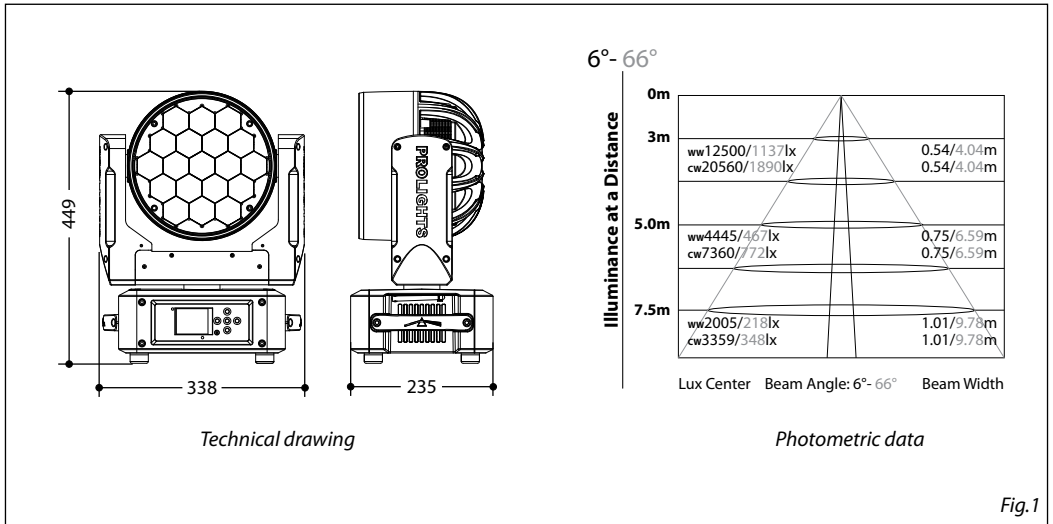


Fig.1

## 1.3 OPERATING ELEMENTS AND CONNECTIONS

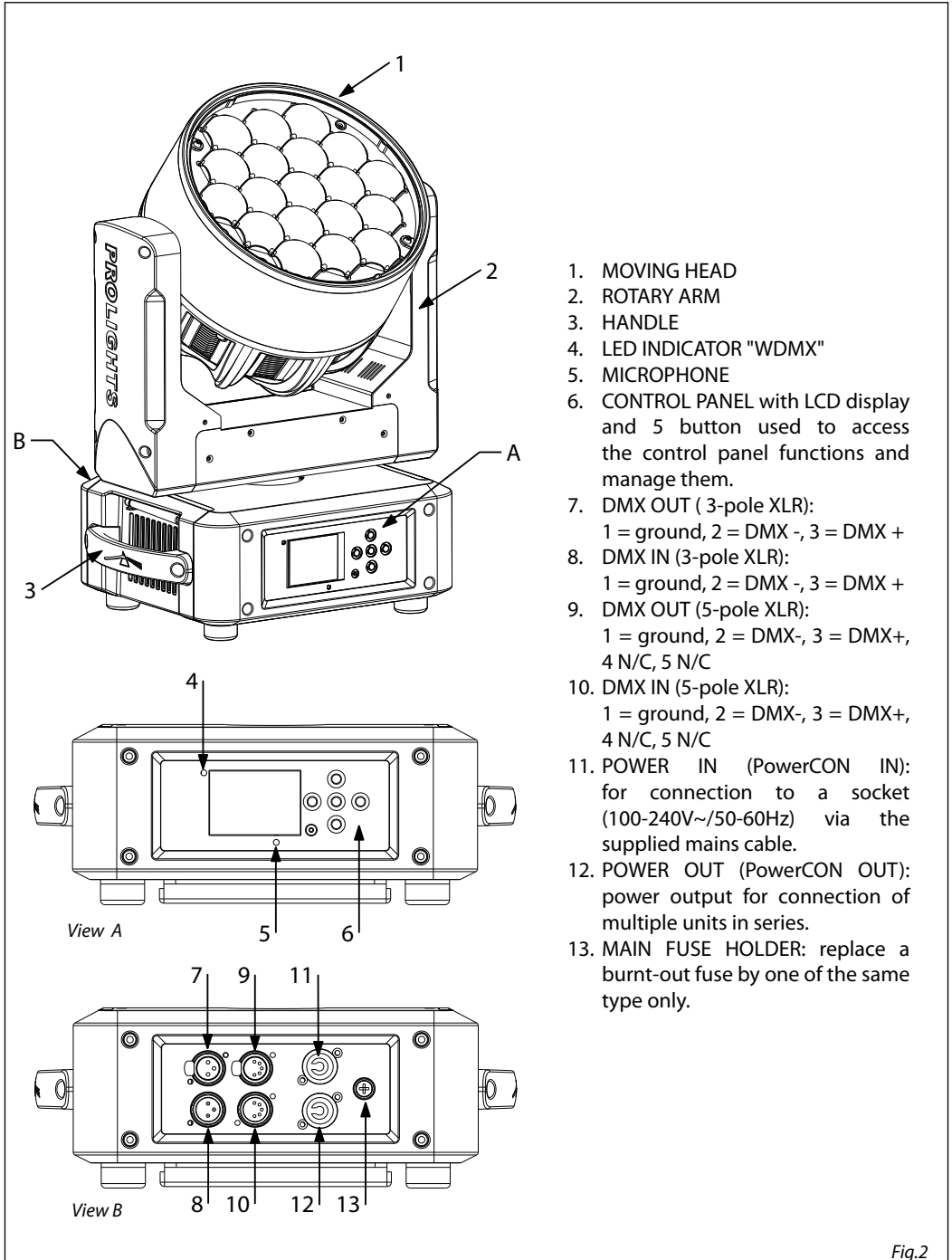


Fig.2

## - 2 - INSTALLATION

### 2.1 MOUNTING

The DIAMOND19TW may be set up on a solid and even surface. By means of the fixing facilities of the baseplate, the unit can also be mounted upside down to a cross arm. The base plate is shown in fig.3. For fixing, stable mounting clips are required. According to the figure, the bolts of the brackets are placed into the openings provided in the base plate and turned clockwise until they lock (to the stop). Always ensure that the unit is firmly fixed to avoid vibration and slipping while operating. The mounting place must be of sufficient stability and be able to support a weight of 10 times of the unit's weight. When carrying out any installation, always comply scrupulously with all the regulations (particularly regarding safety) currently in force in the country in which the fixture's being used. Always additionally secure the projector with the safety rope from falling down. For this purpose, fasten the safety rope at a suitable position so that the maximum fall of the projector will be 20 cm.

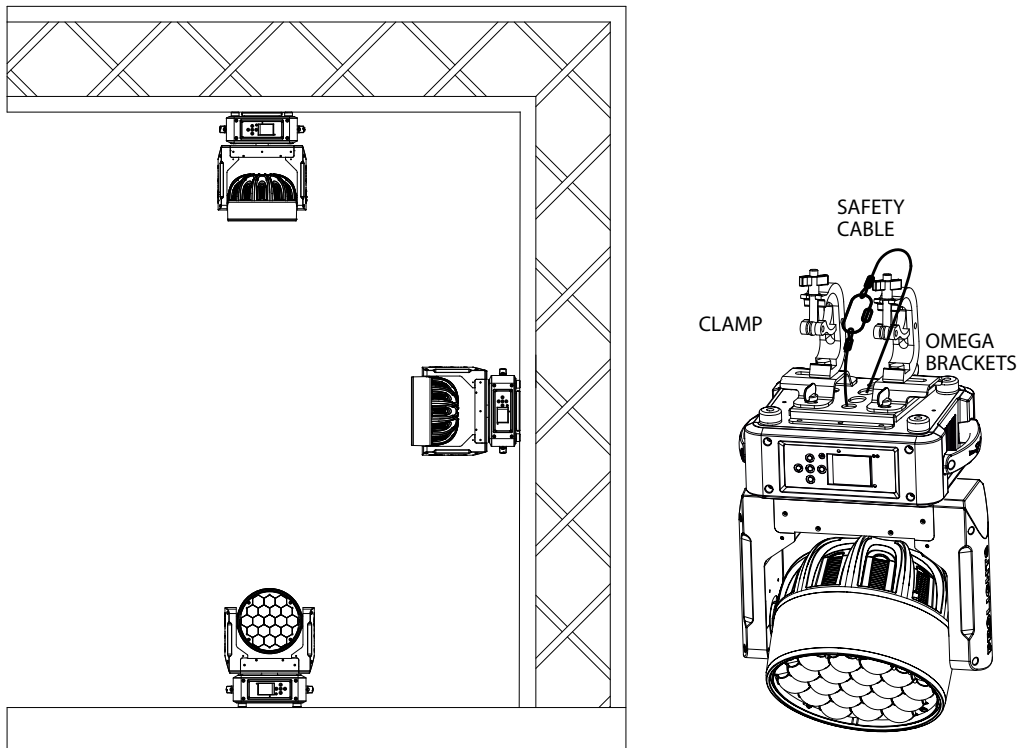


Fig.3



### - 3 - FUNCTIONS AND SETTINGS

#### 3.1 OPERATION

Connect the supplied main cable to a socket (100-240V~/50-60Hz). The unit will run built-in program to reset all motors to their home position. Shortly after that the DIAMOND19TW is ready for operation. To switch off, disconnect the mains plug from the socket. For a more convenient operation it is recommended to connect the unit to a socket which can be switched on and off via light switch.

#### 3.2 BASIC

The DIAMOND19TW has a LCD display and 5 button used to access the control panel functions and manage them (fig.4).

◀ LEFT	▶ RIGHT	▲ UP	▼ DOWN	ENTER	BATTERY
Return to the top level	Commute from units, tens, hundred in the menu	Increases the value displayed or passes to the previous item in a menu	Decreases the value displayed or passes to the next item in the menu	Confirms the displayed value, or activates the displayed function, or enters the successive menu	Used to activate the backup battery. It allows to switching display interface without main power

CONNECT	LIGHT	INFORMATION	SET	PROGRAM

Fig.4 - Functions of the buttons and display icons

## 3.3 MENU STRUCTURE

MENU	
1	<b>Connect</b> <ul style="list-style-type: none"> <li>⇒ DMX Address      ⇒ Value (1-512)</li> <li>Wireless DMX      ⇒ Value (1-512)</li> </ul>
2	<b>Light</b> <ul style="list-style-type: none"> <li>⇒ Max Temperature      ⇒ Value (60°-130° C)</li> <li>Lamp Adjust      ⇒ Control      ⇒ Value (000-255)</li> <li>Pan      ⇒ Value (000-255)</li> <li>Pan Fine      ⇒ Value (000-255)</li> <li>Tilt      ⇒ Value (000-255)</li> <li>Tilt Fine      ⇒ Value (000-255)</li> <li>Pan&amp;Tilt Speed      ⇒ Value (000-255)</li> <li>Pan&amp;Tilt Fun      ⇒ Value (000-255)</li> <li>Shutter Fun      ⇒ Value (000-255)</li> <li>Shutter      ⇒ Value (000-255)</li> <li>Dimmer      ⇒ Value (000-255)</li> <li>Color Function      ⇒ Value (000-255)</li> <li>Virtual Color1      ⇒ Value (000-255)</li> <li>Virtual Color2      ⇒ Value (000-255)</li> <li>Warm White All      ⇒ Value (000-255)</li> <li>Cool White All      ⇒ Value (000-255)</li> <li>Zoom      ⇒ Value (000-255)</li> <li>Foreground      ⇒ Value (000-255)</li> <li>Background      ⇒ Value (000-255)</li> <li>Pattern      ⇒ Value (000-255)</li> <li>Pattern Speed      ⇒ Value (000-255)</li> <li>Pattern Byte 1      ⇒ Value (000-255)</li> <li>Pattern Byte 2      ⇒ Value (000-255)</li> <li>Pattern Byte 3      ⇒ Value (000-255)</li> <li>Pattern Byte 4      ⇒ Value (000-255)</li> <li>Pattern Byte 5      ⇒ Value (000-255)</li> </ul>
3	<b>Information</b> <ul style="list-style-type: none"> <li>⇒ Time Info.</li> <li>Temperature</li> <li>Fans Speed</li> <li>Channel Value</li> <li>Error Message</li> <li>Fixture Model</li> <li>Software Ver.</li> </ul>

4	<b>Set</b>	⇒	Reset	⇒	All		
					Pan & Tilt		
					Others		
			Movement	⇒	Pan Reverse	⇒	ON/OFF
					Tilt Reverse	⇒	ON/OFF
					Pan Degree	⇒	540/630
					Encoders	⇒	ON/OFF
					Pan/Tilt Mode	⇒	Standard/Smooth
			UI Set	⇒	Mic Sens.	⇒	Value (00-99%)
					No Signal	⇒	Close/Hold/Auto/Music
					Temperature C/F	⇒	Celsius/Fahrenheit
					Fans Mode	⇒	Auto Speed/High Speed
					Zoom Mode	⇒	Mode1 /Mode2
					Hibernation	⇒	Not Hibernation/Min (01-99)
					Backlight	⇒	Always On/Min (01-99)
					Flip Display	⇒	ON/OFF
					Display Bright	⇒	Value (00-31)
					Brand Show	⇒	ON/OFF
					Key Lock	⇒	ON/OFF
					Language	⇒	EN/FR/SP...
			Fixture Set	⇒	Theater Mode	⇒	ON/OFF
					Frequency	⇒	600/1200/2000/2400/4000 Hz/25 kHz
			Users	⇒	User Mode	⇒	Standard/Extended/Basic-8bit/Basic-16bit
					Edit User	⇒	Max Channel/Control/Pan/Pan Fine/Tilt/Tilt Fine...
			Calibration	⇒	Password	⇒	050 (insert to unlock the following settings)
					Pan	⇒	Value (-128-127)
					Tilt	⇒	Value (-128-127)
					Red-All	⇒	Value (XXX)
					Green-All	⇒	Value (XXX)
					Blue-All	⇒	Value (XXX)
			Fixture ID	⇒	Name	⇒	Fixture ID Name
					RDM Mode		
					Password	⇒	050 (insert to unlock the following settings)
			PID Code	⇒	00001		
	Wireless Set	⇒	DMX On Cable	⇒	ON/OFF		
			Reset Connect	⇒	ON/OFF		
	Reload Default	⇒	Basic Reload	⇒	ON/OFF		

		Program Reload	⇒	ON/OFF
		Password	⇒	050 (insert to unlock the following settings)
		Private Reload	⇒	ON/OFF
		All Reload	⇒	ON/OFF
5	<b>Program</b>	⇒ Play	⇒	DMX Receive
			⇒	Slave Receive
			⇒	Part 1 Receive/Part 2 Receive/Part 3 Receive
			⇒	Sequence
			⇒	Alone/Master
			⇒	Alone/Master
		Select Chase	⇒	Chase Part 1
			⇒	Chase 1 - Chase 8
			⇒	Chase Part 2
			⇒	Chase 1 - Chase 8
			⇒	Chase Part 3
			⇒	Chase 1 - Chase 8
		Edit Chases	⇒	Edit Chase 1
			⇒	Chase Test/ Step 1 - Step 64
			⇒	Edit Chase 2
			⇒	Chase Test/ Step 1 - Step 64
			⇒	Edit Chase ...
			⇒	Chase Test/ Step 1 - Step 64
			⇒	Edit Chase 8
			⇒	Chase Test/ Step 1 - Step 64
		Edit Scenes	⇒	Edit Scenes 001
			⇒	Control/.../Fade Time/Scene Time/External Input
			⇒	Edit Scenes 002
			⇒	Control/Pan/Pan Fine/Tilt/Tilt Fine...
			⇒	Edit Scenes ...
			⇒	Control/Pan/Pan Fine/Tilt/Tilt Fine...
			⇒	Edit Scenes 250
			⇒	Control/Pan/Pan Fine/Tilt/Tilt Fine...
		Scenes Record	⇒	Sc XX - Sc XX

### 3.4 SLAVE RECEIVE MODE

This mode will allow you to link up the units together without a controller. Choose a unit to function as the Master. The unit must be the first unit in line; other units will work as slave with the same effect.

A Master unit can send up to 3 different data groups to the Slave units, i.e. a Master unit can start 3 different Slave units, which run 3 different programs. The Master unit sends the 3 program parts in a continuous loop.

The Slave unit receives data from the Master unit according to the group which the Slave unit was assigned to.

For example, if a slave device is set to Receive Part 1, the Master unit Slave unit will send the automated Chase Part 1; if set to Receive Part 2, the Chase Part 2 Slave units will receive from the Master.

To set the drive as a slave, proceed as follows:

- Press the ENTER button to access the main menu.
- Press the UP/DOWN button to scroll the menu, select the **Program** icon, then press the ENTER button to enter the next menu.
- Press the UP/DOWN button to scroll through the menu, and then select **Play** and press the ENTER button to enter the next menu.
- Press the UP/DOWN button to scroll through the menu, and select **Slave Receive** and press ENTER to confirm.
- Press the UP/DOWN button to select the different modes of operation **Part 1 Receive/Receive Part 2/Part 3 Receive**, and then press the ENTER button to confirm your choice.
- Press the LEFT button repeatedly to exit the menu and save changes.

Select the desired program on the master unit (described in section 3.5).

Use the DMX connectors of the DIAMOND19TW and an XLR cable to form a chain of units. Under certain conditions and lengths you want to make a termination as shown on page 16.

### 3.5 OPERATIONS IN AUTOMATIC MODE

The unit independently runs through its show. Before you send an automatic program you need to set the drive as Master/Alone:

- Press the ENTER button to access the main menu.
- Press the UP/DOWN button to scroll the menu, select the **Program** icon, then press the ENTER button to enter the next menu.
- Press the UP/DOWN button to scroll through the menu, select **Play** and press the ENTER button to enter the next menu.
- Press the UP/DOWN button to scroll through the menu, select **Sequence** and press ENTER to confirm your choice.
- Press the UP/DOWN button to select the mode of operation:
  - **Master**, if the unit is connected in series with other units and it acts as the Master;
  - **Alone**, if the unit is not connected to other units.
- Press the ENTER button to confirm your choice.
- Press the LEFT button repeatedly to exit the menu and save changes.

The unit will go into automatic mode by executing the program automatically.

#### Select Chase

The function **Select Chase** lets you choose the automatic program to actually run.

- Press the ENTER button to access the main menu.
- Press the UP/DOWN button to scroll the menu, select the **Program** icon, then press the ENTER button to enter the next menu.
- Press the UP/DOWN button to scroll through the menu, select **Select Chase** and press the ENTER button to enter the next menu.
- Press the UP/DOWN button to scroll through the menu, then select **Chase Part 1/Chase Part 2/Chase Part 3** and press ENTER to confirm.
- Press the UP/DOWN button to select **Chase1-Chase8**, and press the ENTER button to confirm.
- Press the LEFT button repeatedly to exit the menu and save changes.

#### Edit Chases

The function **Edit Chases** allows you to create automatic pre-programmed show.

The automatic programs **Chase Part1/2/3** are each divided into **Chase1-Chase8**. Each Chase can be composed of **1-64 step** that can be configured through the following procedure:

- Press the ENTER button to access the main menu.
- Press the UP/DOWN button to scroll the menu, select the **Program** icon, then press the ENTER button to enter the next menu.
- Press the UP/DOWN button to scroll through the menu, select **Edit Chases** and press the ENTER button to enter the next menu.
- Press the UP/DOWN button to scroll through the menu, select **Edit Chase 1 - Edit Chase 8**, then press the ENTER button to confirm.
- Press the UP/DOWN button to select the **Step 01 - Step 64**, and press ENTER to confirm.
- Press the UP/DOWN button to select the **Scene** you want to set for the Step chosen, and then press ENTER to confirm.
- Press the LEFT button repeatedly to exit the menu and save changes.

### Edit Scenes

The function **Edit Scenes** allows you to create individual scenes to be included in the Chase Step.

- Press the ENTER button to access the main menu.
- Press the UP/DOWN button to scroll the menu, select the **Program** icon, then press the ENTER button to enter the next menu.
- Press the UP/DOWN button to scroll through the menu, select **Edit Scenes** and press the ENTER button to enter the next menu.
- Press the UP/DOWN button to scroll through the menu, select **Edit Scene 001 - Edit Scene 250**, then press the ENTER button to confirm.
- Press the UP/DOWN button to select the desired function you want to edit (Control, Pan, Tilt, etc.), Then press the ENTER button to confirm.
- Press the UP/DOWN button to change the value of the function, then press the ENTER button to confirm.
- Press the LEFT button repeatedly to exit the menu and save changes.

### 3.6 SCENES RECORD MODE

DIAMOND19TW is equipped with a built-in DMX recorder by which you can transmit the programmed scenes from your DMX-controller to the device. Proceed as follows to store the sequence of scenes in the unit.

- Press the ENTER button to access the main menu.
- Press the UP/DOWN button to scroll through the menu, select the **Program** icon, then press the ENTER button to enter the next menu.
- Press the UP/DOWN button to scroll through the menu, select **Scenes Record** and press the ENTER button to enter the next menu.
- Press the UP/DOWN button to adjust the scene at the beginning and end to be inserted in the automatic program, then press the ENTER button to confirm.
- Press the LEFT button repeatedly to exit the menu and save changes.

When recalling scenes from the controller will automatically be transmitted to the device.

### 3.7 MUSIC MODE

In music mode, via its integrated microphone, the unit can be controlled by music with a clear rhythm in the bass range. If the music control should not work optimally, increase the volume or reduce the distance between the sound source and the light effect unit or alternatively increase the sensitivity of the microphone.

- Press the ENTER button to access the main menu.
- Press the UP/DOWN button to scroll the menu, select the **Program** icon, then press the ENTER button to enter the next menu.
- Press the UP/DOWN button to scroll through the menu, select **Play** and press the ENTER button to enter the next menu.
- Press the UP/DOWN button to scroll through the menu, select **Music** and press ENTER to confirm.
- Press the UP/DOWN button to select the mode of operation:
  - **Master**, if the mobile head is connected in series to other units, and it performs the Master function;
  - **Alone**, if the fixture is not connected to other units.
- Press the ENTER button to confirm your choice.
- Press the LEFT button repeatedly to exit the menu and save changes.

The unit will go into music mode by executing an automatic program to the rhythm of music.

### 3.8 SENSITIVITY MICROPHONE

Select this function to set the value of the sensitivity of the microphone for use with a music control:

- Press the ENTER button to access the main menu.
- Press the UP/DOWN button to scroll the menu, select the **Set** icon, then press the ENTER button to enter the next menu.
- Press the UP/DOWN button to scroll through the menu, select **UI Set**, and press the ENTER button to enter the next menu.
- Press the UP/DOWN button to scroll through the menu, then select **Mic Sens.** and press ENTER to confirm.
- Press the UP/DOWN button to adjust the level of sensitivity of the microphone, and then press the ENTER button to confirm your choice.
- Press the LEFT button repeatedly to exit the menu and save changes.

### 3.9 LINKING

Several units may be interconnected in order to control all further slave units to the same effect of the master unit.

1. Connect the DMX OUT of the master unit via 3/5-pole XLR cable to the DMX IN of the first slave unit.
2. Connect the DMX OUT of the first slave unit to the DMX IN of the second slave unit, etc. until all units are connected in a chain.

### 3.10 DMX MODE

To enter the DMX mode, follow these steps:

- Press the ENTER button to access the main menu.
- Press the UP/DOWN button to scroll the menu, select the **Connect** icon, then press the ENTER button to enter the next menu.
- Press the UP/DOWN button to scroll through the menu, select the **DMX Address** and press the ENTER key.
- Press the arrow keys to select the desired value (**001-512**). Press the ENTER key to confirm the setting.
- Press the LEFT button repeatedly to exit the menu and save changes.

### 3.11 DMX CONFIGURATION

The DIAMOND19TW has 5 DMX channel configurations which can be accessed from the control panel.

- Press the ENTER button to access the main menu.
- Press the UP/DOWN button to scroll the menu, select the **Set** icon, then press the ENTER button to enter the next menu.
- Press the UP/DOWN button to scroll through the menu, select **Users** and press the ENTER button to enter the next menu.
- Press the UP/DOWN button to scroll through the menu, select **User Mode** and press ENTER to confirm your choice.
- Use the UP/DOWN button to select the desired DMX channel configuration (**Standard, Extended1, Basic-8bit, Basic-16bit, User**), then press the ENTER button to confirm your choice.
- Press the LEFT button repeatedly to exit the menu and save changes.

The tables on page 17 show the mode of operation and their values DMX.

The unit is equipped with 3/5-pole XLR connections.

#### Edit User

The **Edit User**, in the same menu, allows you to create a profile of personalized functions. You can change the parameters of the various functions (Control, Pan, Tilt, etc.). Once you've created your custom profile, you can use it by selecting the USER mode as described above.

### 3.12 DMX ADDRESSING

For operation via light control unit with DMX512 protocol, is sufficient connect the controller to DIAMOND19TW. To able to operate the DIAMOND19TW with a light controller, adjust the DMX start address for the first a DMX channel. If e. g. address 33 on the controller is provided for controlling the function of the first DMX channel, adjust the start address 33 on the DIAMOND19TW. The other functions of the light effect panel are then automatically assigned to the following addresses.

An example with the start address 33 is shown below:

Number of DMX channels	Start address (example)	DMX Address occupied	Next possible start address for unit No. 1	Next possible start address for unit No. 2	Next possible start address for unit No. 3
12	33	33-44	45	57	69
13	33	33-45	46	59	72
14	33	33-46	47	61	75
20	33	33-52	53	73	93

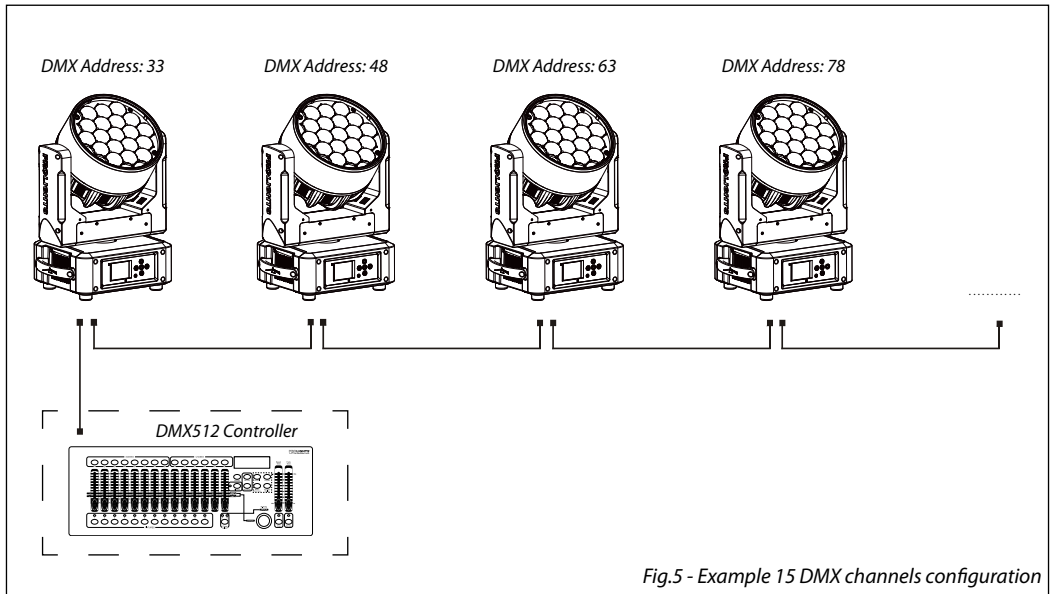


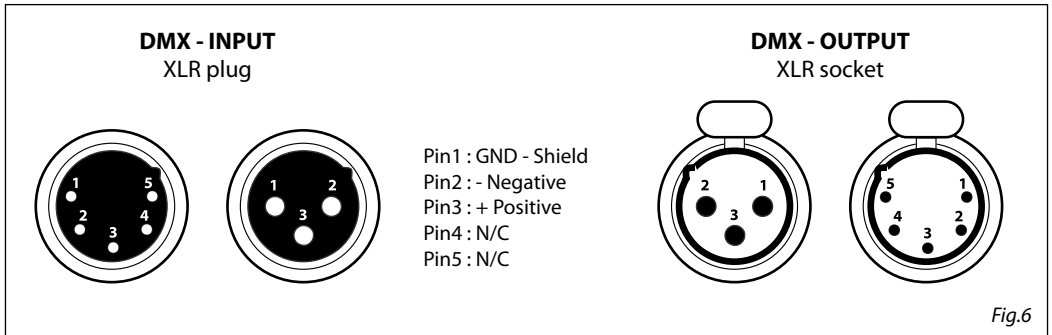
Fig.5 - Example 15 DMX channels configuration



### 3.13 CONNECTION OF THE DMX LINE

DMX connection employs standard XLR connectors. Use shielded pair-twisted cables with 120Ω impedance and low capacity.

The following diagram shows the connection mode:



#### ATTENTION

The screened parts of the cable (sleeve) must never be connected to the system's earth, as this would cause faulty fixture and controller operation.

Over long runs can be necessary to insert a DMX level matching amplifier.

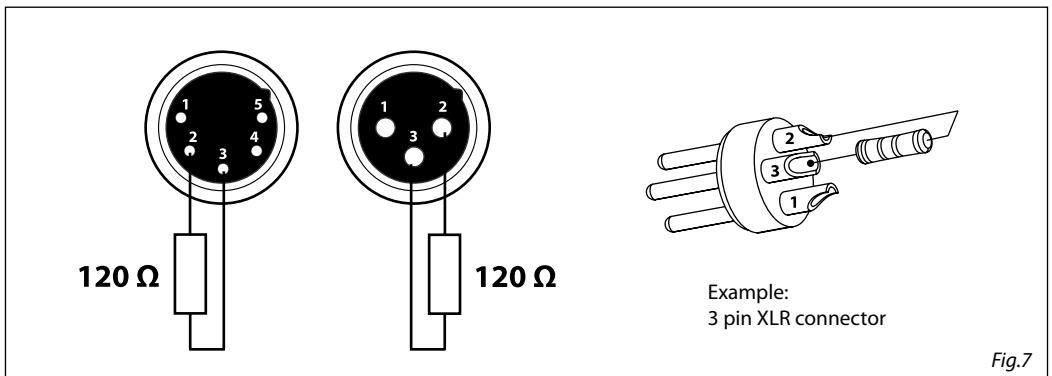
For those connections the use of balanced microphone cable is not recommended because it cannot transmit control DMX data reliably.

- Connect the controller DMX input to the DMX output of the first unit.
- Connect the DMX output to the DMX input of the following unit. Connect again the output to the input of the following unit until all the units are connected in chain.
- When the signal cable has to run longer distance is recommended to insert a DMX termination on the last unit.

### 3.14 CONSTRUCTION OF THE DMX TERMINATION

The termination avoids the risk of DMX 512 signals being reflected back along the cable when they reach the end of the line: under certain conditions and with certain cable lengths, this could cause them to cancel the original signals.

The termination is prepared by soldering a 120Ω 1/4 W resistor between pins 2 and 3 of the 5-pin male XLR connector, as shown in figure.



## 3.15 DMX CONTROL

STAND	EXT-1	BAS-8	BAS-16	FUNCTION	DMX Value
13 Ch	20 Ch	12 Ch	14 Ch		
1	1	1	1	<b>PAN</b> 0~100%	000 - 255
	2		2	<b>PAN FINE</b> 0~100%	000 - 255
2	3	2	3	<b>TILT</b> 0~100%	000 - 255
	4		4	<b>TILT FINE</b> 0~100%	000 - 255
3	5	3	5	<b>MOVEMENT SPEED</b> Fastest to slowest	000 - 255
	6			<b>MOVEMENT FUNCTION</b> Normal Movement with backout TBD	000 - 015 016 - 031 032 - 255
4	7			<b>SHUTTER FUNCTION</b> Normal Shutter Functions Pulse-effect Forward Pulse-effect Reverse Random strobe TBD	000 - 015 016 - 031 032 - 047 048 - 063 064 - 255
5	8			<b>SHUTTER</b> <b>Normal Shutter Functions</b> Close Strobe Rate (slow to fast) Open <b>Pulse-effect Forward</b> Close Strobe Rate (slow to fast) Open <b>Pulse-effect Reverse</b> Close Strobe Rate (slow to fast) Open <b>Random Strobe</b> Close Strobe Rate (slow to fast) Open	000 - 031 032 - 223 224 - 255 000 - 031 032 - 223 224 - 255 000 - 031 032 - 223 224 - 255 000 - 031 032 - 223 224 - 255 000 - 031 032 - 223 224 - 255
		4	6	<b>SHUTTER</b> Shutter closed No function (shutter open) Strobe effect slow to fast	000 - 031 032 - 063 064 - 095

STAND	EXT-1	BAS-8	BAS-16	FUNCTION	DMX Value
13 Ch	20 Ch	12 Ch	14 Ch		
		4	6	No function (shutter open) Pulse-effect in sequences No function (shutter open) Random strobe effect slow to fast No function (shutter open)	096 - 127 128 - 159 160 - 191 192 - 223 224 - 255
6	9	5	7	<b>DIMMER</b> Dimmer (close to open)	000 - 255
7	10	6	8	<b>VIRTUAL COLOR FUNCTION</b> On Function CTC Function Forward Spin Reverse Spin Continuous Color Bounce TBD	000 - 015 016 - 031 032 - 047 048 - 063 064 - 079 080 - 111 112 - 255
8	11	7	9	<b>VIRTUAL COLOR 1</b> <b>CTC Function</b> Color Temperature Correction 2800K->6300K White 2800K White 3200K White 3800K White 4200K White 4600K White 5000K White 5600K White 6300K <b>Forward Spin</b> Rainbow Effect (Slow to Fast) <b>Reverse Spin</b> Rainbow Effect (Slow to Fast) <b>Continuous &amp; Color Bounce</b> Black Warm White Cool White Warm White->Cool White->Warm White	000 - 223 224 - 227 228 - 231 232 - 235 236 - 239 240 - 243 244 - 247 248 - 251 252 - 255 000 - 255 000 - 255 000 - 000 001 - 002 003 - 004 005 - 255
9	12	8	10	<b>VIRTUAL COLOR 2 (Only on Color Bounce)</b> <b>Color Bounce</b> Black Warm White	000 - 000 001 - 002

STAND	EXT-1	BAS-8	BAS-16	FUNCTION	DMX Value
13 Ch	20 Ch	12 Ch	14 Ch		
9	12	8	10	Cool White Warm White->Cool White	003 - 004 005 - 255
10	13	9	11	<b>WARM WHITE-ALL</b> WarmWhite 0 -> 100%	000 - 255
11	14	10	12	<b>COOL WHITE-ALL</b> Cool White 0 -> 100%	000 - 255
12	15	11	13	<b>ZOOM</b> Big angle -> Small angle	000 - 255
	16			<b>WARM WHITE-1</b> WarmWhite 0 -> 100%	000 - 255
	17			<b>COOL WHITE-1</b> Cool White 0 -> 100%	000 - 255
	18			<b>WARM WHITE-2</b> WarmWhite 0 -> 100%	000 - 255
	19			<b>COOL WHITE-2</b> Cool White 0 -> 100%	000 - 255
13	20	12	14	<b>CONTROL</b> Normal Reset All Pan&Tilt Reset TBD Other Reset Display Off Display On TBD TBD Hibernation TBD	000 - 007 008 - 015 016 - 023 024 - 047 048 - 055 056 - 063 064 - 071 072 - 079 080 - 087 088 - 095 096 - 255

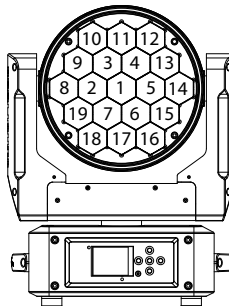


Fig.8 - LEDs numbering

### 3.16 WIRELESS CONTROL SETTINGS

To enable wireless control mode, proceed as follows:

- Press the ENTER button to access the main menu.
- Press the UP/DOWN button to scroll the menu, select the **Connect** icon, then press the ENTER button to enter the next menu.
- Press the UP/DOWN button to scroll through the menu, select **Wireless DMX** and press ENTER.
- Press the UP/DOWN and LEFT/RIGHT buttons to select the desired value (**001-512**).
- Press the ENTER key to confirm the setting.

To change the settings of wireless control, proceed as follows:

- Press the ENTER button to access the main menu.
- Press the UP/DOWN button to scroll the menu, select the **Set** icon, then press the ENTER button to enter the next menu.
- Press the UP/DOWN button to scroll through the menu, select **Wireless Set**, and press the ENTER button to enter the next menu.
- Press the UP/DOWN button to select the option proposed and press the ENTER button to confirm your choice.
  - **DMX On Cable** - Disable/enable the DMX signal cable. Select OFF to deactivate or ON to activate the function.
  - **Reset Connect** - Reset the wireless connection of the unit. Select OFF to deactivate or ON to activate the function.
- Press the ENTER button to confirm your choice.
- Press the LEFT button repeatedly to exit the menu and save changes.

### 3.17 FIXTURE SETTINGS

You can change the parameters for the device by following these steps:

- Press the ENTER button to access the main menu.
- Press the UP/DOWN button to scroll the menu, select the **Set** icon, then press the ENTER button to enter the next menu.
- Press the UP/DOWN button to scroll through the menu, then select **Movement** and press the ENTER button to enter the next menu.
- Use the UP/DOWN button to select the option proposed and press the ENTER button to confirm the setting.
  - **Pan Reverse** - Pan rotation in the opposite direction. Select OFF to deactivate the function (normal setting); ON to activate the function (Pan Reverse).
  - **Tilt Reverse** - Used for reversing tilt movement. Select OFF to deactivate the function (normal setting); ON to activate the function (Tilt Reverse).
  - **Pan Degree** - Angle of Pan. Select 540° or 630° to set the maximum angle of rotation of the moving head.
  - **Encoders** - Reorganization Pan/Tilt position after rolling away. Select OFF to deactivate or ON to activate the function.
  - **Pan/Tilt Mode** - Type of movement of the moving head. Select Standard to obtain a fast and fluid movement of Pan/Tilt, Smooth for a slower and softer movement of Pan/Tilt.
- Press the ENTER button to confirm your choice.
- Press the LEFT button repeatedly to exit the menu and save changes.

### 3.18 LAMP SETTINGS

You can change the parameters of the device lamp by following these steps:

- Press the ENTER button to access the main menu.
- Press the UP/DOWN button to scroll the menu, select the Lights icon, then press the ENTER button to enter the next menu.

- Press UP/DOWN to scroll through the menu, select one of the following settings and press the ENTER button to display it.
  - **Max Temperature** - Temperature operating limits. This function allows you to set the maximum temperature inside the projector, after which the lamp will automatically turn off. Press the arrow buttons to set the desired temperature (80° -139°). Temperatures of less than 90° C are not critical. We recommend that you enable this feature for temperatures higher than 90°.
  - **Lamp Adjust** - Adjusts the lamp. This function allows you to modify all the parameters of the lamp: **Control, Pan, Pan Fine, Tilt, Tilt Fine, Pan&Tilt Speed, Pan&Tilt Fun, Shutter Fun, Shutter, Dimmer, Color Function, Virtual Color1, Virtual Color2, Red-All, Green-All, Blue-All, White-All, Zoom, Foreground, Background, Pattern, Pattern Speed, Pattern Byte1, Pattern Byte2, Pattern Byte3, Pattern Byte4, Pattern Byte5, Pattern Byte6, Pattern Byte7, Pattern Byte8, Pattern Byte9, Pattern Byte10.** Press the UP/DOWN button to select one of the parameters and press ENTER to edit the value (000-255) through the UP/DOWN button.
- Press the ENTER button to confirm your choice.
- Press the LEFT button repeatedly to exit the menu and save changes.

### 3.19 DISPLAY SETTINGS

You can change the following parameters related to the display, following the same procedure:

- Press the ENTER button to access the main menu.
- Press the UP / DOWN keys to scroll the menu, select the Setup icon, then press the ENTER button to enter the next menu.
- Press UP / DOWN to scroll through the menu, then select UI Set, and press the ENTER button to enter the next menu.
- Press UP / DOWN to scroll through the menu, and then select one of the following settings for the display and press the ENTER key to display it.
  - **Back Light** - Backlight display Auto Off. This feature allows you to automatically turn off the backlight after a specified time that you can set using the arrow buttons. To have the display always on select **Always On** or set a value of 01-99 min to turn off the display after the amount of time you choose.
  - **Flip Display** - Orientation of the display. This function allows you to rotate the display 180° to get a better view of the display when the unit is hanging upside down. Select ON to activate or OFF to disable this function.
  - **Bright Display** - Backlight Brightness. Use the arrow buttons to select a value from 0-31.
  - **Brand Show** - Displaying the brand. This function allows you to show the brand "PROLIGHTS" on the display. Select ON to activate or OFF to disable.
  - **Key Lock** - Lock keys. With this function, you can lock the buttons on the control panel. If this function is activated, the keys are automatically locked. To disable or temporarily disable the key lock function, press the buttons in the following order to regain access to menu commands: UP, DOWN, LEFT, RIGHT, ENTER. Select ON to activate or OFF to disable.
  - **Language select** - Select the display language. This function allows you to select the preferred menu language.
- Press the ENTER button to confirm your choice.
- Press the LEFT button repeatedly to exit the menu and save changes.

### 3.20 FIXTURE INFORMATION

To view all the information on the device, proceed as follows:

- Press the ENTER button to access the main menu.
- Press the UP/DOWN button to scroll the menu, select the icon Information, then press the ENTER button to enter the next menu.
- Press the UP/DOWN button to scroll through the menu, then select one of the following information and press the ENTER button to display it.
  - **Time Information** - Through the Time Information function you can display the operating time of the projector.

- **Lamp Info - Through the Lamp Info function you can display the lamp information.**
- **Temperature** - Through the Temperature function can be displayed the temperature inside the fixture, near the lamp. The temperature can be displayed in degrees Celsius or Fahrenheit.
- **Fans Speed** - Through the Fans Speed function you can show on display the fan speed present near the lamp. Velocity is expressed in RPM (revolutions per minute).
- **Channel Value** - Channel Value function can be used to display the values of the channels by which the unit will operate when switched on.
- **Error Message** - Through the Error Message function can be displayed any errors channels.
- **Fixture Model** - Through the Fixture Model function can be displayed the model number and manufacturer.
- **Software Version** - Through Software Version function you can display the currently installed software version. Press the LEFT button repeatedly to exit the menu.

### 3.21 RESET FUNCTIONS

You can start a preset program to restore the selected function:

- Press the ENTER button to access the main menu.
- Press the UP/DOWN button to scroll the menu, select the Set icon, then press the ENTER button to enter the next menu.
- Press the UP/DOWN button to scroll through the menu, select Reset and press the ENTER button to enter the next menu.
- Press the UP/DOWN button to scroll through the menu, then select the function you wish to reset between **All, Pan&Tilt and Others**.
- Press the ENTER button to confirm your choice and wait for the recovery of the selected function.

### 3.22 SPECIAL FUNCTIONS

For the DIAMOND19TW you can access the following special functions:

#### No Signal

Select this feature to set the preferred mode of operation to be activated in case the drive is not present no DMX signal input:

- Press the ENTER button to access the main menu.
- Press the UP/DOWN button to scroll the menu, select the **Set** icon, then press the ENTER button to enter the next menu.
- Press the UP/DOWN button to scroll through the menu, select **UI Set**, and press the ENTER button to enter the next menu.
- Press the UP/DOWN button to scroll through the menu, then select **No Signal** and press ENTER to confirm. Press the UP/DOWN button to select the preferred mode of operation: **Close/Hold/Auto/Music**.
- Press the ENTER button to confirm your choice.
- Press the LEFT button repeatedly to exit the menu and save changes.

#### Fans Mode

Select this function to set the fans operation mode:

- Press the ENTER button to access the main menu.
- Press the UP/DOWN button to scroll the menu, select the **Set** icon, then press the ENTER button to enter the next menu.
- Press the UP/DOWN button to scroll through the menu, select **UI Set**, and press the ENTER button to enter the next menu.
- Press the UP/DOWN button to scroll through the menu, and then select **Fans Mode** and press ENTER to confirm.
- Press the UP/DOWN button to select **Auto Speed/High Speed**, press the ENTER button to confirm your

choice. Press the LEFT button repeatedly to exit the menu and save changes.

### Theater Mode

Select this function if you want less noise from the machine; the LED output will be limited to decrease the heating and fan speed:

- Press the ENTER button to access the main menu.
- Press the UP/DOWN button to scroll the menu, select the **Set** icon, then press the ENTER button to enter the next menu.
- Press the UP/DOWN button to scroll through the menu, select **Fixture Set**, and press the ENTER button to enter the next menu.
- Press the UP/DOWN button to scroll through the menu, and then select **Theater Mode** and press ENTER to confirm. Press the UP/DOWN button to select **Yes/No**, press the ENTER button to confirm your choice.
- Press the LEFT button repeatedly to exit the menu and save changes.

### Frequency

Select this function to change the frequency of the LEDs:

- Press the ENTER button to access the main menu.
- Press the UP/DOWN button to scroll the menu, select the **Set** icon, then press the ENTER button to enter the next menu.
- Press the UP/DOWN button to scroll through the menu, select **Fixture Set**, and press the ENTER button to enter the next menu.
- Press the UP/DOWN button to scroll through the menu, and then select the desired frequency (**600/1200/2000/2400/4000 Hz/25 kHz**) and press ENTER to confirm.
- Press the LEFT button repeatedly to exit the menu and save changes.

### Hibernation

Select this function to activate the standby mode. This function will be activated automatically after a period of inactivity, which is defined by the user. In standby mode, the lamp and all engines will not be fed if no signal is sent. The unit will automatically reset and will return to operation as soon as the DMX signal is sent.

- Press the ENTER button to access the main menu.
- Press the UP/DOWN button to scroll through the menu, select the **Set** icon, then press the ENTER button to enter the next menu.
- Press the UP/DOWN button to scroll through the menu, select **UI Set**, and press the ENTER button to enter the next menu.
- Press the UP/DOWN to scroll through the menu, select **Hibernation** and press ENTER to confirm.
- Select the desired time through the arrow keys or select **Not Hibernation** to disable this function, then press the ENTER button to confirm your choice.
- Press the LEFT button repeatedly to exit the menu and save changes.

### Fixture ID and RDM

With this function you can call up various submenus via RDM.

This device is RDM ready. RDM stands for "Remote Device Management" and makes remote control of devices connected to the DMX-bus possible. Manual settings like adjusting the DMX starting address are no longer needed. This is especially useful when the device is installed in a remote area. RDM is integrated in DMX without influencing the connections. The RDM-data is transmitted via the standard XLR-poles 1 and 2 – new DMX-cables are not necessary. RDM ready and conventional DMX devices can be operated in one DMX line. The RDM protocol sends own packages in the DMX512 data feed and does not influence conventional devices. If DMX splitters are used and RDM control is to be used, these splitters must support RDM. The number and type of RDM parameters depend on the RDM controller (not included) is used.



- Press the ENTER button to access the main menu.
- Press the UP/DOWN button to scroll the menu, select the **Set** icon, then press the ENTER button to enter the next menu.
- Press the UP/DOWN button to scroll through the menu, and then select the **Fixture ID** and press the ENTER button to enter the next menu.
- Press UP/DOWN button to scroll through the menu, then select **Password** and press ENTER to confirm.
- Use the arrow keys to enter the password **050** and press ENTER to confirm.
- Once you have entered your password, you can set the **PID Code**, necessary to control the unit with the RDM protocol. Press the UP/DOWN button to scroll through the menu, select PID Code and press ENTER to confirm.
- Use the arrow keys to enter the PID Code, then press the ENTER button to confirm your choice.
- Press the LEFT button repeatedly to exit the menu and save changes.

### Calibration

Select this function to calibrate and adjust the wheels of the effects in their correct positions:

- Press the ENTER button to access the main menu.
- Press the UP/DOWN button keys to scroll the menu, select the **Set** icon, then press the ENTER button to enter the next menu.
- Press the UP/DOWN button to scroll through the menu, then select **Calibration** and press the ENTER button to enter the next menu.
- Press the UP/DOWN button to scroll through the menu, then select **Password** and press ENTER to confirm. Use the arrow keys to enter the password 050 and press ENTER to confirm.
- Once you have entered your password, you can set the values for **Pan, Tilt**. Press the UP/DOWN button to scroll through the menu, select one of the functions mentioned above and press ENTER to confirm your choice.
- Use the arrow buttons to enter the desired value, then press the ENTER button to confirm your choice.
- Press the LEFT button repeatedly to exit the menu and save changes.

### Reload Default

Select this function to reset the unit to factory settings:

- Press the ENTER button to access the main menu.
- Press the UP/DOWN button to scroll the menu, select the **Set** icon, then press the ENTER button to enter the next menu.
- Press the UP/DOWN button to scroll through the menu, select **Reload Default** and press the ENTER button to enter the next menu.
- Press the UP/DOWN button to select the favourite recovery mode **Basic Reload/Program Reload/Private Reload/All Reload**, then press the ENTER button to confirm.
- Press the UP/DOWN button to select **ON** or **OFF**, then press the ENTER button to confirm.

### Temperature C/F

Select this function to set the temperature unit measurement shown on the display:

- Press the ENTER button to access the main menu.
- Press the UP/DOWN to scroll through the menu, select the **Set** icon, then press the ENTER button to enter the next menu.
- Press the UP/DOWN to scroll through the menu, select **UI Set**, and press the ENTER button to enter the next menu.
- Press the UP/DOWN button to scroll through the menu, select **Temperature C/F** and press ENTER to confirm.
- Press the UP/DOWN button to select the unit of measure **Celsius/Fahrenheit** and press the ENTER button to confirm your choice. Press the LEFT button repeatedly to exit the menu and save changes.

## - 4 - MAINTENANCE

### 4.1 MAINTENANCE AND CLEANING THE UNIT

- Make sure the area below the installation place is free from unwanted persons during setup.
- Switch off the unit, unplug the main cable and wait until the unit has cooled down.
- All screws used for installing the device and any of its parts should be tightly fastened and should not be corroded.
- Housings, fixations and installation spots (ceiling, trusses, suspensions) should be totally free from any deformation.
- When the lens is visibly damaged due to cracks or deep scratches, it must be replaced.
- The main cables must be in impeccable condition and should be replaced immediately even when a small problem is detected.
- In order to protect the device from overheating the cooling fans (if any), and ventilation openings should be cleaned monthly.

To ensure optimal operation and performance for a long time it is essential to periodically clean the parts subject to dust and grease deposits. The frequency with which the following operations are to be carried out depends on various factors, such as the amount of the effects and the quality of the working environment (air humidity, presence of dust, salinity, etc.). Use a soft cloth dampened with any detergent liquid for cleaning glass to remove the dirt from the reflectors, from the lenses and filters.

It is recommended that the projector undergoes an annual service by a qualified technician for special maintenance involving at least the following operations:

- General cleaning of internal parts..
- Restoring lubrication of all parts subject to friction, using lubricants specifically.
- General visual check of the internal components, cabling, mechanical parts, etc.
- Electrical, photometric and functional checks; eventual repairs.

Warning: we strongly recommend internal cleaning to be carried out by qualified personnel!

### 4.2 FUSE REPLACEMENT

1. Disconnect this product from the power outlet.
2. Using a screwdriver, unscrew the fuse holder cap from the housing.
3. Remove the blown fuse and replace with a good fuse of the same type and rating.
4. Screw the fuse holder cap back in place and reconnect power.

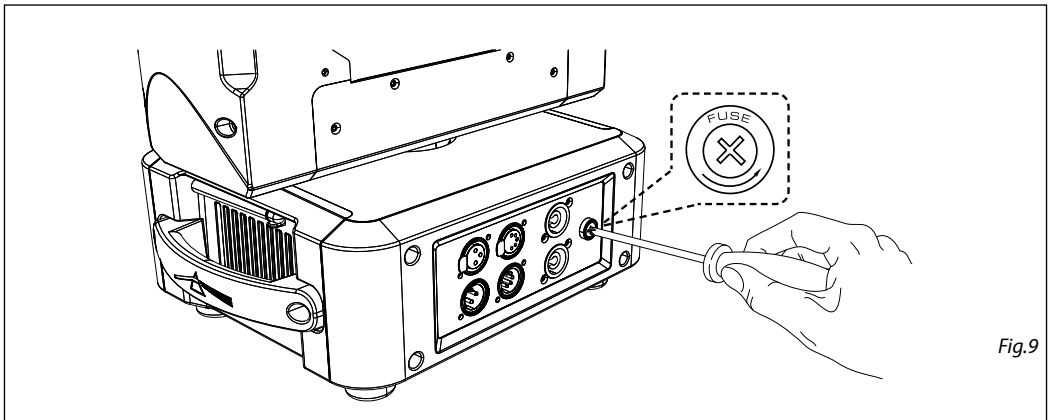


Fig.9

## 4.3 TROUBLESHOOTING

Problems	Possible causes	Checks and remedies
Fixture does not light up	<ul style="list-style-type: none"> <li>• No mains supply</li> <li>• Dimmer fader set to 0</li> <li>• All color faders set to 0</li> <li>• Faulty LED</li> <li>• Faulty LED board</li> </ul>	<ul style="list-style-type: none"> <li>• Check the power supply voltage</li> <li>• Increase the value of the dimmer channels</li> <li>• Increase the value of the color channels</li> <li>• Replace the LED board</li> <li>• Replace the LED board</li> </ul>
General low light intensity	<ul style="list-style-type: none"> <li>• Dirty lens assembly</li> <li>• Misaligned lens assembly</li> </ul>	<ul style="list-style-type: none"> <li>• Clean the fixture regularly</li> <li>• Install lens assembly properly</li> </ul>
Fixture does not power up	<ul style="list-style-type: none"> <li>• No power</li> <li>• Loose or damaged power cord</li> <li>• Faulty internal power supply</li> </ul>	<ul style="list-style-type: none"> <li>• Check for power on power outlet</li> <li>• Check power cord</li> <li>• Replace internal power supply</li> </ul>
Fixture does not respond to DMX	<ul style="list-style-type: none"> <li>• Wrong DMX addressing</li> <li>• Damaged DMX cables</li> <li>• Bouncing signals</li> </ul>	<ul style="list-style-type: none"> <li>• Check control panel and unit addressing</li> <li>• Check DMX cables</li> <li>• Install terminator as suggested</li> </ul>

Contact an authorized service center in case of technical problems or not reported in the table can not be resolved by the procedure given in the table.

Music & Lights S.r.l. si riserva ogni diritto di elaborazione in qualsiasi forma delle presenti istruzioni per l'uso.  
La riproduzione - anche parziale - per propri scopi commerciali è vietata.

Al fine di migliorare la qualità dei prodotti, la Music&Lights S.r.l. si riserva la facoltà di modificare, in qualunque momento e senza preavviso, le specifiche menzionate nel presente manuale di istruzioni. Tutte le revisioni e gli aggiornamenti sono disponibili nella sezione 'Manuali' sul sito [www.musiclights.it](http://www.musiclights.it)

<b>INDICE</b>	<b>Sicurezza</b>	
	Avvertenze generali .....	4
	Attenzioni e precauzioni per l'installazione .....	4
	<b>1 Introduzione</b>	
	1.1 Descrizione .....	5
	1.2 Specifiche tecniche .....	5
	1.3 Elementi di comando e di collegamento .....	7
	<b>2 Installazione</b>	
	2.1 Montaggio .....	8
	<b>3 Funzioni e impostazioni</b>	
	3.1 Funzionamento .....	9
	3.2 Impostazione base .....	9
	3.3 Struttura menu .....	10
	3.4 Modalità Slave Receive .....	12
	3.5 Operazioni in modalità automatica .....	13
	3.6 Modalità Scenes Records .....	14
	3.7 Modalità Musicale .....	14
	3.8 Sensibilità microfono .....	14
	3.9 Collegamento .....	15
	3.10 Modalità DMX .....	15
	3.11 Configurazioni canali DMX .....	15
	3.12 Indirizzamento DMX .....	15
	3.13 Collegamenti della linea DMX .....	17
	3.14 Costruzione del terminatore DMX .....	17
	3.15 Canali DMX .....	18
	3.16 Impostazione controllo wireless .....	21
	3.17 Impostazioni del proiettore .....	21
	3.18 Impostazioni lampada .....	21
	3.19 Impostazioni display .....	22
	3.20 Informazioni sul dispositivo .....	22
	3.21 Reset delle funzioni .....	23
	3.22 Funzioni speciali .....	23
	<b>4 Manutenzione</b>	
	4.1 Manutenzione e pulizia del sistema ottico .....	26
	4.2 Sostituzione fusibile .....	26
	4.3 Risoluzione dei problemi .....	27

**Contenuto dell'imballo:**

- DIAMOND19TW
- Staffa di fissaggio
- Cavo di segnale e alimentazione
- Cavo di sicurezza
- Manuale utente




**ATTENZIONE! Prima di effettuare qualsiasi operazione con l'unità, leggere con attenzione questo manuale e conservarlo accuratamente per riferimenti futuri. Contiene informazioni importanti riguardo l'installazione, l'uso e la manutenzione dell'unità.**



## SICUREZZA

### Avvertenze generali

- I prodotti a cui questo manuale si riferisce sono conformi alle Direttive della Comunità Europea e pertanto recano la sigla **CE**.
- Il dispositivo funziona con pericolosa tensione di rete 230V~. Non intervenire mai al suo interno al di fuori delle operazioni descritte nel presente manuale; esiste il pericolo di una scarica elettrica.
- È obbligatorio effettuare il collegamento ad un impianto di alimentazione dotato di un'efficiente messa a terra (apparecchio di Classe I secondo norma EN 60598-1). Si raccomanda, inoltre, di proteggere le linee di alimentazione delle unità dai contatti indiretti e/o cortocircuiti verso massa tramite l'uso di interruttori differenziali opportunamente dimensionati.
- Le operazioni di collegamento alla rete di distribuzione dell'energia elettrica devono essere effettuate da un installatore elettrico qualificato. Verificare che frequenza e tensione della rete corrispondono alla frequenza ed alla tensione per cui l'unità è predisposta, indicate sulla targhetta dei dati elettrici.
- L'unità non per uso domestico, solo per uso professionale.
- Evitare di utilizzare l'unità:
  - in luoghi soggetti a vibrazioni, o a possibili urti;
  - in luoghi a temperatura superiore ai 45°C.
- Evitare che nell'unità penetrino liquidi infiammabili, acqua o oggetti metallici.
- Non smontare e non apportare modifiche all'unità.
- Tutti gli interventi devono essere sempre e solo effettuati da personale tecnico qualificato. Rivolgersi al più vicino centro di assistenza tecnica autorizzato.
- Se si desidera eliminare il dispositivo definitivamente, consegnarlo  per lo smaltimento ad un'istituzione locale per il riciclaggio.

### Attenzioni e precauzioni per l'installazione

- Se il dispositivo dovesse trovarsi ad operare in condizioni differenti da quelle descritte nel presente manuale, potrebbero verificarsi dei danni; in tal caso la garanzia verrebbe a decadere. Inoltre, ogni altra operazione potrebbe provocare cortocircuiti, incendi, scosse elettriche, rotture etc.
- Prima di iniziare qualsiasi operazione di manutenzione o pulizia sull'unità togliere la tensione dalla rete di alimentazione.
- È assolutamente necessario proteggere l'unità per mezzo di una fune di sicurezza. Nell'eseguire qualsiasi intervento attenersi scrupolosamente a tutte le normative (in materia di sicurezza) vigenti nel paese di utilizzo.
- Questo prodotto è solo per uso interno.
- La distanza minima tra il proiettore e le pareti circostanti deve essere superiore a 50 cm e non devono essere ostruite, in nessun caso, le aperture di aerazione.
- Installare l'unità in un luogo ben ventilato.
- Mantenere i materiali infiammabili ad una distanza di sicurezza dall'unità.
- La temperatura massima raggiungibile sulla superficie esterna dell'unità, in condizioni di regime termico, è elevata. Dopo lo spegnimento, attendere 15 minuti per il raffreddamento.
- I filtri, le lenti o gli schermi ultravioletti se danneggiati possono limitare la loro efficienza.
- I LED devono essere sostituiti se danneggiati o termicamente deformati.
- Non guardare direttamente il fascio luminoso. Tenete presente che i veloci cambi di luce possono provocare attacchi d'epilessia presso persone fotosensibili o epilettiche.

## - 1 - INTRODUZIONE

### 1.1 DESCRIZIONE

DIAMOND19TW è la versione tunable white dello straordinario DIAMOND19 con un output da 2600-8000K. Lo zoom 6-66° e la precisa calibrazione colore, creano un vero e proprio cavallo di battaglia per esibizioni, aziende e televisioni

### 1.2 SPECIFICHE TECNICHE

#### SORGENTE LUMINOSA

- Sorgente: 19x15W bianco caldo + bianco freddo Osram Ostar LED
- CT: 2600~8000K
- CRI: 70-90
- Flusso luminoso: 9000lm
- Lux: (6°) 11805 - (66°) 1239lux @5m
- Durata media sorgente: >50.000 h

#### OTTICA

- Zoom: 6-66° motorizzato, lineare
- Tipo lente: lenti pianoconvesse con trama a nido d'ape prive di interspa

#### SISTEMA COLORE

- Miscelazione del colore: bianco sintonizzabile
- CTC: controllo CTC tramite canale DMX indipendente
- Preset bianchi: 2600~8000K
- Ruota colori: bianchi predefiniti incorporati

#### CORPO

- Pan angle: 630°
- Tilt angle: 265°
- Risoluzione Pan/Tilt: bit 8/16 bit
- Feedback: riposizionamento automatico dopo movimenti accidentali
- Corpo: struttura in alluminio con coperture in policarbonato ad alta resistenza
- Colore: nero

#### CONTROLLO

- Protocolli: DMX512, RDM
- Canali DMX: 12/13/14/20channel
- W-DMX: integrato, ricevitore ad antenna (2.4 GHz) by Wireless Solution Sweden
- RDM: RDM ready per controllo e impostazioni remote della fixture
- Display: display a colori LCD ad alta risoluzione
- Aggiornamento firmware: sì, con interfaccia USB-DMX (UPBOX2) non inclusa
- Ibernazione: attivazione automatica risparmio energia in assenza di segnale DMX
- Master/Slave: per il controllo di più unità collegate in catena

#### ELETTRONICA

- Dimmer: 0~100% lineare, elettronico
- Strobe / shutter: 1-25 Hz, elettronico
- Batteria di backup: batteria tampone per l'accesso al menu anche senza alimentazione

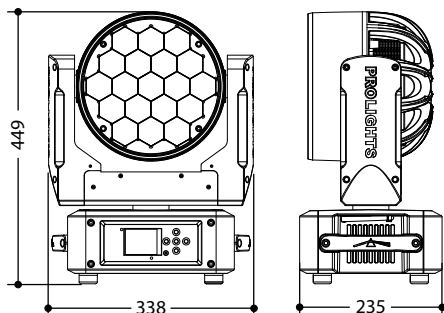
- Temperatura d'esercizio:  $-10^{\circ} \sim +45^{\circ}$
- Flicker: funzionamento senza sfarfallio

### ALIMENTAZIONE

- Alimentazione elettrica: 100-240V – 50/60Hz
- Potenza assorbita (a 230V): 316W
- Output (a 230V): 6 unità connesse in serie

### CARATTERISTICHE FISICHE

- Raffreddamento: sistema di dissipazione a con heating-pipe
- Sospensione e fissaggio: qualsiasi posizione con supporti omega (inclusi) "quicklock"
- Connessione di segnale: Amphenol XLR 3p IN/OUT connectors
- Connessione di alimentazione: Neutrik powerCON IN/OUT connectors
- Grado IP: 20
- Dimensioni (LxAxP): 338x449x235mm
- Peso: 11kg



Disegno tecnico

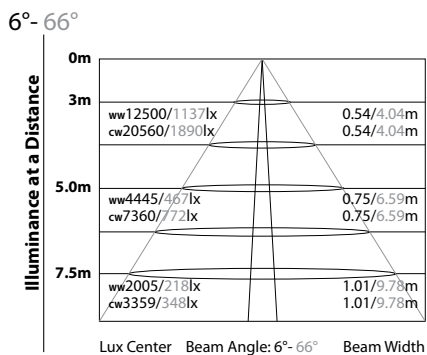
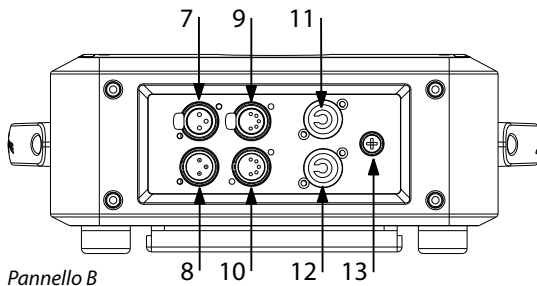
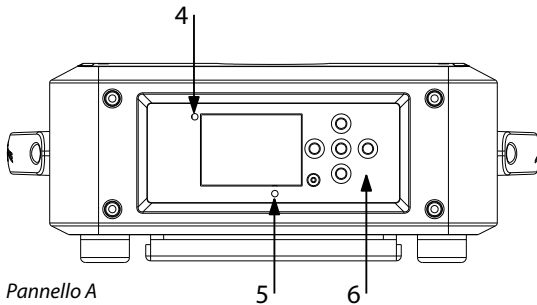
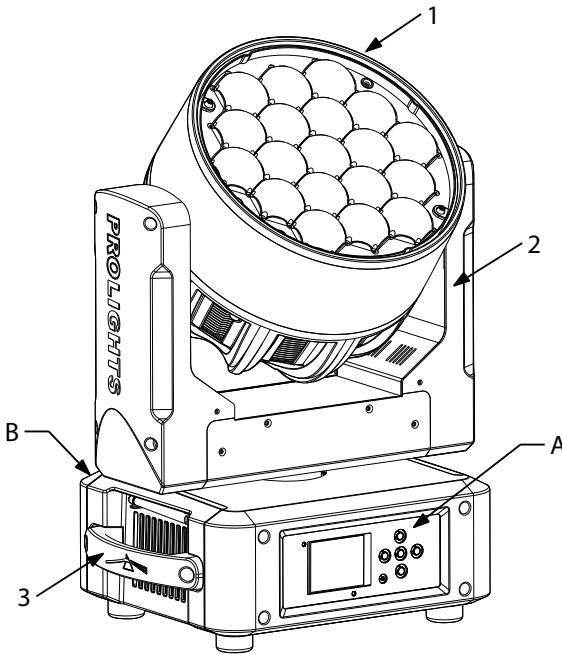


Diagramma di luminosità



## 1.3 ELEMENTI DI COMANDO E DI COLLEGAMENTO



1. TESTA MOBILE
2. BRACCIO GIREVOLE
3. MANIGLIA PER TRASPORTO
4. INDICATORE LED "WDM"
5. MICROFONO
6. PANNELLO DI CONTROLLO con display LCD e 5 pulsanti per l'accesso e gestione delle diverse funzioni.
7. DMX OUT (XLR a 3 poli):  
1 = massa, 2 = DMX -, 3 = DMX +
8. DMX IN (XLR a 3 poli):  
1 = massa, 2 = DMX -, 3 = DMX +
9. DMX OUT (XLR a 5 poli):  
1 = massa, 2 = DMX -, 3 = DMX +,  
4 N/C, 5 N/C
10. DMX IN (XLR a 5 poli):  
1 = massa, 2 = DMX -, 3 = DMX +,  
4 N/C, 5 N/C
11. POWER IN (PowerCON IN): per il collegamento ad una presa di rete (100-240V~/50-60Hz) tramite il cavo rete in dotazione.
12. POWER OUT (PowerCON OUT): collegamento per l'alimentazione all'unità successiva.
13. PORTAFUSIBILE: sostituire un fusibile difettoso solo con uno dello stesso tipo.

## - 2 - INSTALLAZIONE

### 2.1 MONTAGGIO

Il DIAMOND19TW può essere collocato su un piano solido. Inoltre, grazie ai fori di fissaggio, l'unità può essere montata anche a testa in giù, su una traversa (fig.3). Per il fissaggio occorrono dei supporti robusti per il montaggio. Come si vede nell'illustrazione, i perni del sistema di aggancio rapido, dei supporti omega, sono da inserire nelle apposite sedi della piastra dove vengono bloccati con una rotazione in senso orario (fino all'arresto). Assicurarsi che l'unità sia saldamente fissata al fine di evitare vibrazioni e scivolamenti durante il funzionamento. L'area di collocazione deve avere una stabilità sufficiente e supportare almeno 10 volte il peso dell'unità. Inoltre assicurarsi di rispettare tutte le avvertenze in materia di sicurezza. È assolutamente necessario assicurare il proiettore contro la caduta utilizzando un cavo di sicurezza: in particolare collegare il cavo in un punto adatto in modo che la caduta del proiettore non possa superare i 20 cm.

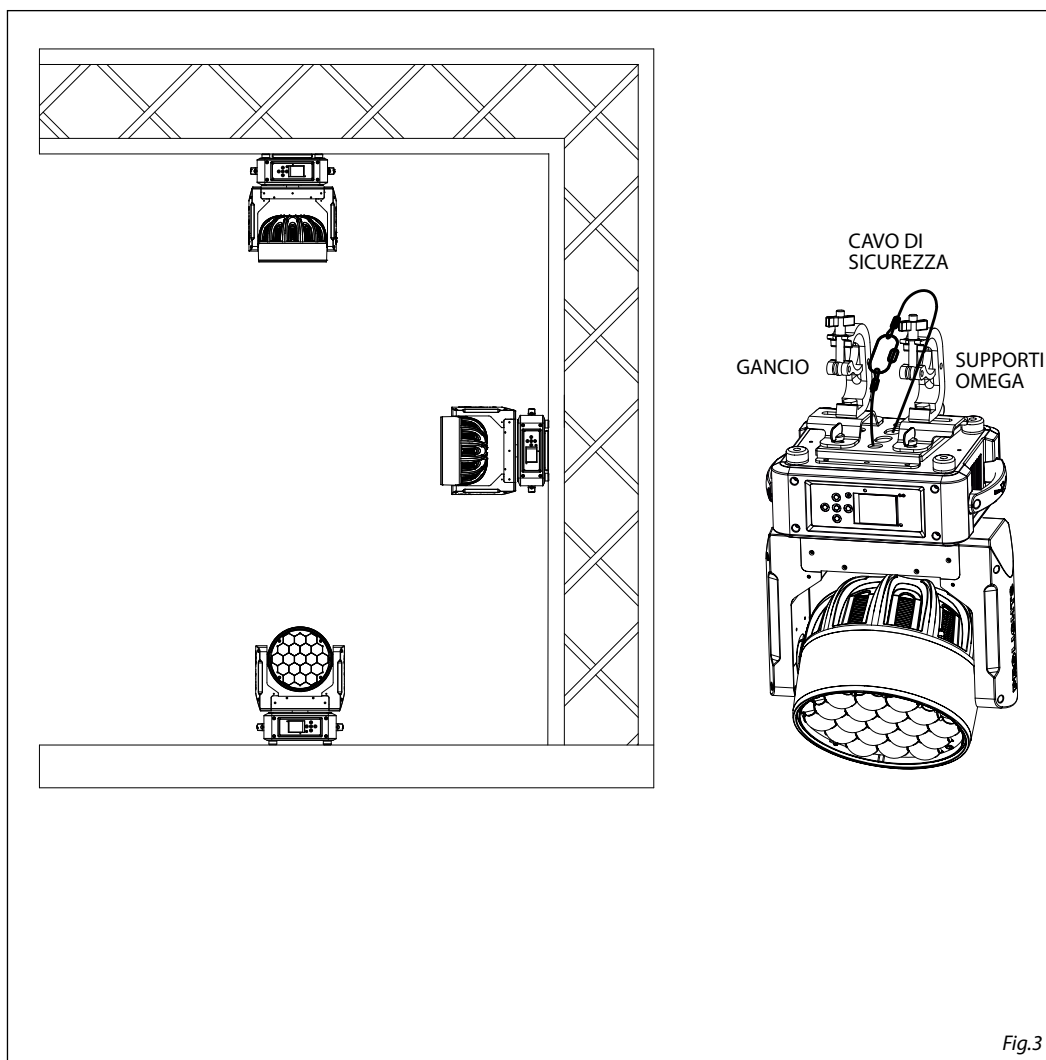


Fig.3

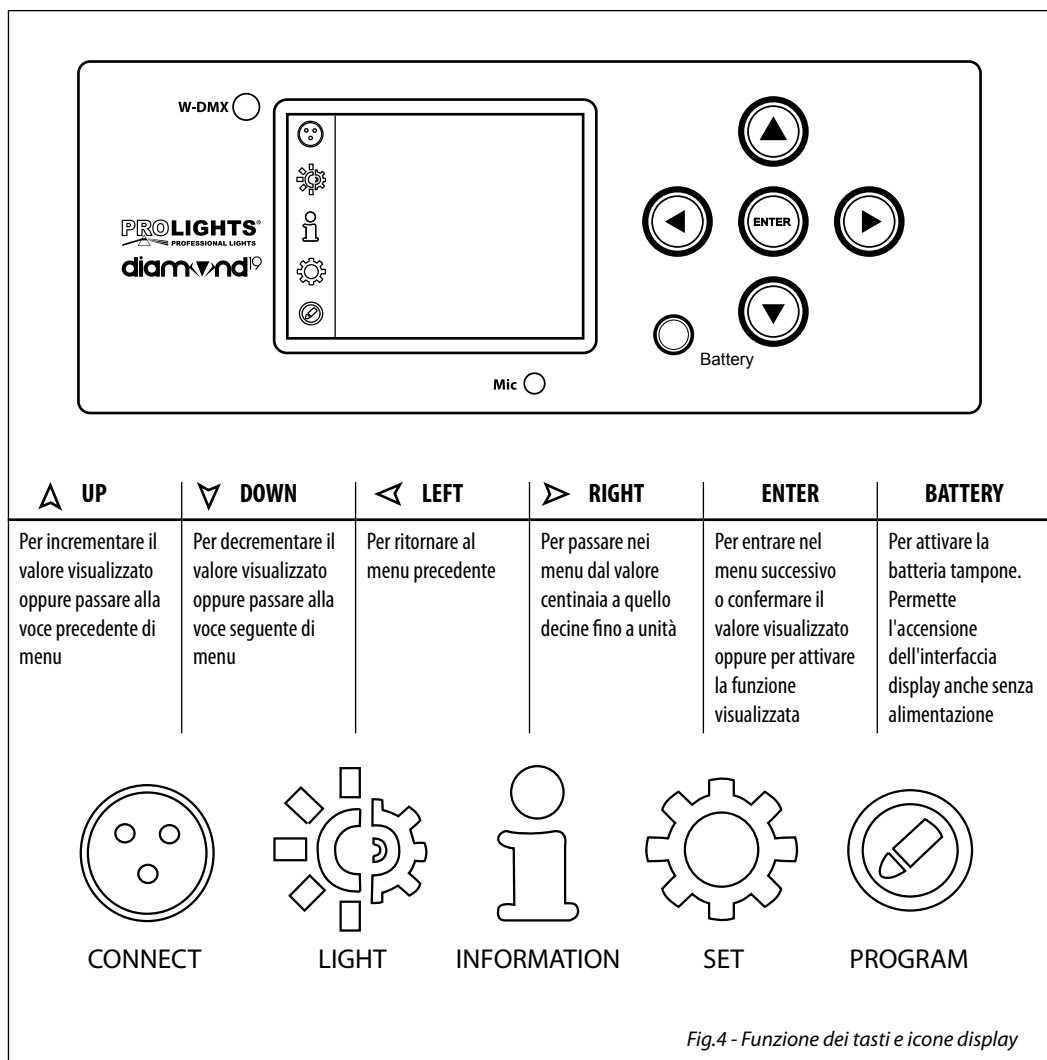
## - 3 - FUNZIONI E IMPOSTAZIONI

### 3.1 FUNZIONAMENTO

Per accendere il DIAMOND19TW inserire la spina del cavo di alimentazione in una presa di rete (100-240V~/50-60Hz). La testa mobile e tutti i motori di comando si mettono in una precisa posizione di partenza. Poco dopo l'unità è pronta. Per spegnere il DIAMOND19TW, staccare la spina dalla presa di rete. Per maggiore comodità è consigliabile collegare l'unità con una presa comandata da un interruttore.

### 3.2 IMPOSTAZIONE BASE

Il DIAMOND19TW dispone di un display LCD e di 5 pulsanti per l'accesso alle funzioni del pannello di controllo e la loro gestione (fig.4).



## 3.3 STRUTTURA MENU

MENU	
1	<b>Connect</b> <ul style="list-style-type: none"> <li>⇒ DMX Address      ⇒ Value (1-512)</li> <li>Wireless DMX      ⇒ Value (1-512)</li> </ul>
2	<b>Light</b> <ul style="list-style-type: none"> <li>⇒ Max Temperature      ⇒ Value (60°-130° C)</li> <li>Lamp Adjust      ⇒ Control      ⇒ Value (000-255)</li> <li>Pan      ⇒ Value (000-255)</li> <li>Pan Fine      ⇒ Value (000-255)</li> <li>Tilt      ⇒ Value (000-255)</li> <li>Tilt Fine      ⇒ Value (000-255)</li> <li>Pan&amp;Tilt Speed      ⇒ Value (000-255)</li> <li>Pan&amp;Tilt Fun      ⇒ Value (000-255)</li> <li>Shutter Fun      ⇒ Value (000-255)</li> <li>Shutter      ⇒ Value (000-255)</li> <li>Dimmer      ⇒ Value (000-255)</li> <li>Color Function      ⇒ Value (000-255)</li> <li>Virtual Color1      ⇒ Value (000-255)</li> <li>Virtual Color2      ⇒ Value (000-255)</li> <li>Warm White All      ⇒ Value (000-255)</li> <li>Cool White All      ⇒ Value (000-255)</li> <li>Zoom      ⇒ Value (000-255)</li> <li>Foreground      ⇒ Value (000-255)</li> <li>Background      ⇒ Value (000-255)</li> <li>Pattern      ⇒ Value (000-255)</li> <li>Pattern Speed      ⇒ Value (000-255)</li> <li>Pattern Byte 1      ⇒ Value (000-255)</li> <li>Pattern Byte 2      ⇒ Value (000-255)</li> <li>Pattern Byte 3      ⇒ Value (000-255)</li> <li>Pattern Byte 4      ⇒ Value (000-255)</li> <li>Pattern Byte 5      ⇒ Value (000-255)</li> </ul>
3	<b>Information</b> <ul style="list-style-type: none"> <li>⇒ Time Info.</li> <li>Temperature</li> <li>Fans Speed</li> <li>Channel Value</li> <li>Error Message</li> <li>Fixture Model</li> <li>Software Ver.</li> </ul>

4	<b>Set</b>	⇒	Reset	⇒	All		
					Pan & Tilt		
					Others		
			Movement	⇒	Pan Reverse	⇒	ON/OFF
					Tilt Reverse	⇒	ON/OFF
					Pan Degree	⇒	540/630
					Encoders	⇒	ON/OFF
					Pan/Tilt Mode	⇒	Standard/Smooth
			UI Set	⇒	Mic Sens.	⇒	Value (00-99%)
					No Signal	⇒	Close/Hold/Auto/Music
					Temperature C/F	⇒	Celsius/Fahrenheit
					Fans Mode	⇒	Auto Speed/High Speed
					Zoom Mode	⇒	Mode1 /Mode2
					Hibernation	⇒	Not Hibernation/Min (01-99)
					Backlight	⇒	Always On/Min (01-99)
					Flip Display	⇒	ON/OFF
					Display Bright	⇒	Value (00-31)
					Brand Show	⇒	ON/OFF
					Key Lock	⇒	ON/OFF
					Language	⇒	EN/FR/SP...
			Fixture Set	⇒	Theater Mode	⇒	ON/OFF
					Frequency	⇒	600/1200/2000/2400/4000 Hz/25 kHz
			Users	⇒	User Mode	⇒	Standard/Extended/Basic-8bit/Basic-16bit
					Edit User	⇒	Max Channel/Control/Pan/Pan Fine/Tilt/Tilt Fine...
			Calibration	⇒	Password	⇒	050 (insert to unlock the following settings)
					Pan	⇒	Value (-128-127)
					Tilt	⇒	Value (-128-127)
					Red-All	⇒	Value (XXX)
					Green-All	⇒	Value (XXX)
					Blue-All	⇒	Value (XXX)
			Fixture ID	⇒	Name	⇒	Fixture ID Name
					RDM Mode		
					Password	⇒	050 (insert to unlock the following settings)
			PID Code	⇒	00001		
	Wireless Set	⇒	DMX On Cable	⇒	ON/OFF		
			Reset Connect	⇒	ON/OFF		
	Reload Default	⇒	Basic Reload	⇒	ON/OFF		

		Program Reload	⇒	ON/OFF
		Password	⇒	050 (insert to unlock the following settings)
		Private Reload	⇒	ON/OFF
		All Reload	⇒	ON/OFF
5	<b>Program</b>	⇒ Play	⇒	DMX Receive
			⇒	Slave Receive
			⇒	Part 1 Receive/Part 2 Receive/Part 3 Receive
			⇒	Sequence
			⇒	Alone/Master
			⇒	Music
			⇒	Alone/Master
	Select Chase	⇒ Chase Part 1	⇒	Chase 1 - Chase 8
		Chase Part 2	⇒	Chase 1 - Chase 8
		Chase Part 3	⇒	Chase 1 - Chase 8
	Edit Chases	⇒ Edit Chase 1	⇒	Chase Test/ Step 1 - Step 64
		Edit Chase 2	⇒	Chase Test/ Step 1 - Step 64
		Edit Chase ...	⇒	Chase Test/ Step 1 - Step 64
		Edit Chase 8	⇒	Chase Test/ Step 1 - Step 64
	Edit Scenes	⇒ Edit Scenes 001	⇒	Control/.../Fade Time/Scene Time/External Input
		Edit Scenes 002	⇒	Control/Pan/Pan Fine/Tilt/Tilt Fine...
		Edit Scenes ...	⇒	Control/Pan/Pan Fine/Tilt/Tilt Fine...
		Edit Scenes 250	⇒	Control/Pan/Pan Fine/Tilt/Tilt Fine...
	Scenes Record	⇒ Sc XX - Sc XX		

### 3.4 MODALITÀ SLAVE RECEIVE

Questa modalità consente di collegare in linea più unità senza un controller. La prima unità sarà impostata come Master e le altre funzioneranno come Slave con lo stesso effetto.

Inoltre, un'unità Master DIAMOND19TW può inviare fino a 3 diversi gruppi di dati alle unità Slave, ossia può guidare 3 diverse unità Slave che eseguono 3 parti di programma differenti. L'unità Master invia le 3 parti del programma in un loop continuo mentre le unità Slave riceveranno i dati dall'unità Master in base al gruppo cui l'unità slave è stato assegnato.

Se ad esempio un'unità Slave è impostata su **Part 1 Receive**, l'unità Master invierà all'unità Slave il programma automatico **Chase Part 1**; se impostata su **Part 2 Receive**, l'unità Slave riceverà **Chase Part 2** dall'unità Master.

Per impostare l'unità come Slave procedere come segue:

- Premere il tasto ENTER per accedere al menu principale.
- Premere il tasto UP/DOWN per scorrere nel menu, selezionare l'icona **Program**, quindi premere il tasto ENTER per accedere al menu successivo **Play**.
- Premere il tasto ENTER e selezionare **Slave Receive** con il tasto UP/DOWN, quindi confermare la scelta con il tasto ENTER.
- Premere il tasto UP/DOWN per selezionare le diverse modalità di funzionamento **Part 1 Receive/Part 2 Receive/Part 3 Receive**, quindi premere il tasto ENTER per confermare la scelta.
- Premere il tasto LEFT più volte per uscire dal menu e per salvare le modifiche apportate.

Sull'unità master selezionare il programma desiderato come indicato al paragrafo 3.5.

Servirsi dei connettori DMX del DIAMOND19TW e di un cavo XLR per formare una catena di unità. In certe condizioni e lunghezze si consiglia di effettuare una terminazione come mostrato a pagina 18.

### 3.5 OPERAZIONI IN MODALITÀ AUTOMATICA

L'unità può svolgere il suo programma Show autonomamente. Prima di inviare un programma automatico in esecuzione è necessario impostare l'unità come Master/Alone:

- Premere il tasto ENTER per accedere al menu principale.
- Premere il tasto UP/DOWN per scorrere nel menu, selezionare l'icona **Program**, quindi premere il tasto ENTER per accedere al menu successivo **Play**.
- Premere il tasto ENTER e selezionare **Sequence** con il tasto UP/DOWN, quindi confermare la scelta con il tasto ENTER.
- Premere il tasto UP/DOWN per selezionare la modalità di funzionamento:
  - **Master**, se l'unità è collegata in serie ad altre unità ed essa svolge la funzione di Master;
  - **Alone**, se l'unità non è collegata ad altre unità.
- Premere il tasto ENTER per confermare la scelta.
- Premere il tasto LEFT più volte per uscire dal menu e per salvare le modifiche apportate.

L'unità entrerà in modalità automatica mandando in esecuzione il programma automatico.

#### Select Chase

La funzione Select Chase permette di scegliere il programma automatico da mandare in esecuzione.

- Premere il tasto ENTER per accedere al menu principale.
- Premere il tasto UP/DOWN per scorrere nel menu, selezionare l'icona **Program**, quindi premere il tasto ENTER per accedere al menu successivo.
- Premere il tasto UP/DOWN per selezionare **Select Chase** e premere il tasto ENTER per accedere al menu successivo.
- Premere il tasto UP/DOWN per selezionare **Chase Part 1/Chase Part 2/Chase Part 3** e premere il tasto ENTER per confermare la scelta.
- Premere il tasto UP/DOWN per selezionare il **Chase1 - Chase8** preferito, quindi premere il tasto ENTER.
- Premere il tasto LEFT più volte per uscire dal menu e per salvare le modifiche apportate.

#### Edit Chases

La funzione **Edit Chases** permette di creare show automatici preprogrammati.

I programmi automatici **Chase Part1/2/3** sono suddivisi ognuno in **Chase1-Chase8**. Ogni Chase può essere composto da **1-64 step** che possono essere configurati attraverso la seguente procedura:

- Premere il tasto ENTER per accedere al menu principale.
- Premere il tasto UP/DOWN per scorrere nel menu, selezionare l'icona **Program**, quindi premere il tasto ENTER per accedere al menu successivo.
- Premere il tasto UP/DOWN per selezionare **Edit Chases** e premere il tasto ENTER per accedere al menu successivo.
- Premere il tasto UP/DOWN per selezionare **Edit Chase 1 - Edit Chase 8**, quindi premere il tasto ENTER per confermare.
- Premere il tasto UP/DOWN per selezionare lo **Step 01 - Step 64** desiderato, quindi premere il tasto ENTER.
- Premere il tasto UP/DOWN per selezionare la **Scene** desiderata da impostare per lo Step scelto, quindi premere ENTER per confermare.
- Premere il tasto LEFT più volte per uscire dal menu e per salvare le modifiche apportate.

#### Edit Scenes

La funzione **Edit Scenes** permette di creare scene individuali da includere negli Step delle Chase.

- Premere il tasto ENTER per accedere al menu principale.
- Premere il tasto UP/DOWN per scorrere nel menu, selezionare l'icona **Program**, quindi premere il tasto ENTER per accedere al menu successivo.
- Premere il tasto UP/DOWN per selezionare **Edit Scenes** e premere il tasto ENTER per accedere al menu

successivo.

- Premere il tasto UP/DOWN per selezionare **Edit Scene 001 - Edit Scene 250**, quindi premere il tasto ENTER.
- Premere il tasto UP/DOWN per selezionare la funzione desiderata che si vuole modificare (Control, Pan, Tilt, ecc.), quindi premere il tasto ENTER.
- Premere il tasto UP/DOWN per modificare il valore della funzione, quindi premere il tasto ENTER per confermare.
- Premere il tasto LEFT più volte per uscire dal menu e per salvare le modifiche apportate.

### 3.6 MODALITÀ SCENES RECORD

DIAMOND19TW è dotato di un registratore DMX integrato attraverso il quale è possibile trasmettere, dal vostro Controller DMX al dispositivo, le scene programmate. Procedere come segue per memorizzare la sequenza di scene da mandare in esecuzione.

- Premere il tasto ENTER per accedere al menu principale.
- Premere il tasto UP/DOWN per scorrere nel menu, selezionare l'icona **Program**, quindi premere il tasto ENTER per accedere al menu successivo.
- Premere il tasto UP/DOWN per selezionare **Scenes Record** e premere il tasto ENTER per accedere al menu successivo.
- Premere il tasto UP/DOWN per regolare la scena di inizio e quella di fine da inserire nel programma automatico, quindi premere il tasto ENTER per confermare.
- Premere il tasto LEFT più volte per uscire dal menu e per salvare le modifiche apportate.

Quando si richiamano le scene dal controller, verranno automaticamente trasmesse al dispositivo.

### 3.7 MODALITÀ MUSICALE

Nella modalità musicale l'unità può essere comandata tramite la musica. In presenza di segnale musicale, con un determinato ritmo nei bassi e con volume sufficiente, tramite il microfono interno si comanda il senso e la velocità di rotazione nonché il cambio di colore. Se il comando musica non dovesse funzionare perfettamente, aumentare il volume o ridurre la distanza fra sorgente audio e l'unità oppure alternativamente aumentare la sensibilità del microfono.

- Premere il tasto ENTER per accedere al menu principale.
- Premere il tasto UP/DOWN per scorrere nel menu, selezionare l'icona **Program**, quindi premere il tasto ENTER per accedere al menu successivo **Play**.
- Premere il tasto ENTER e selezionare **Music** con il tasto UP/DOWN, quindi confermare la scelta con il tasto ENTER.
- Premere il tasto UP/DOWN per selezionare la modalità di funzionamento:
  - **Master**, se l'unità è collegata in serie ad altre unità ed essa svolge la funzione di Master;
  - **Alone**, se l'unità non è collegata ad altre unità.
- Premere il tasto ENTER per confermare la scelta.
- Premere il tasto LEFT più volte per uscire dal menu e per salvare le modifiche apportate.

L'unità entrerà in modalità musicale mandando in esecuzione un programma automatico a ritmo di musica.

### 3.8 SENSIBILITÀ MICROFONO

Selezionare questa funzione per impostare il valore della sensibilità del microfono per il controllo tramite comando musicale:

- Premere il tasto ENTER per accedere al menu principale.
- Premere i tasti UP/DOWN per selezionare l'icona **Set**, quindi premere il tasto ENTER per accedere al menu successivo.



- Premere il tasto UP/DOWN per selezionare **UI Set** e premere il tasto ENTER per accedere al menu successivo **Mic Sens**.
- Premere il tasto ENTER e regolare il livello di sensibilità del microfono con il tasto UP/DOWN. Premere il tasto ENTER per confermare.
- Premere il tasto LEFT più volte per uscire dal menu e per salvare le modifiche apportate.

### 3.9 COLLEGAMENTO

Si possono collegare più unità affinché tutte le unità secondarie abbiano lo stesso effetto luce dell'unità principale (Master).

1. Collegare l'uscita DMX OUT dell'unità principale con l'ingresso DMX IN della prima unità secondaria servendosi di un cavo XLR a 3/5 poli.
2. Collegare l'uscita DMX OUT della prima unità secondaria con l'ingresso DMX IN della seconda unità secondaria ecc.

### 3.10 MODALITÀ DMX

Per entrare nella modalità DMX procedere nel seguente modo:

- Premere il tasto ENTER per accedere al menu principale.
- Premere il tasto UP/DOWN per scorrere nel menu, selezionare l'icona **Connect**, quindi premere il tasto ENTER per accedere al menu successivo **DMX Address**. Premere il tasto ENTER.
- Impostare con i tasti direzionali il valore desiderato (**001-512**). Premere il tasto ENTER per confermare.
- Premere il tasto LEFT più volte per uscire dal menu e per salvare le modifiche apportate.

### 3.11 CONFIGURAZIONI CANALI DMX

DIAMOND19TW dispone di 4 configurazioni dei canali DMX a cui si può accedere dal pannello di controllo.

- Premere il tasto ENTER per accedere al menu principale.
- Premere il tasto UP/DOWN per scorrere nel menu, selezionare l'icona **Set**, quindi premere il tasto ENTER per accedere al menu successivo.
- Premere il tasto UP/DOWN per selezionare **Users** e premere il tasto ENTER per accedere al menu successivo **User Mode**. Premere il tasto ENTER per confermare la scelta.
- Attraverso il tasto UP/DOWN selezionare la configurazione dei canali DMX desiderata (**Standard, Extended1, Basic-8bit, Basic-16bit, User**), quindi premere il tasto ENTER per confermare la scelta.
- Premere il tasto LEFT più volte per uscire dal menu e per salvare le modifiche apportate.

Le tabelle a pagina 19 indicano le modalità di funzionamento e i relativi valori DMX. Come interfaccia DMX, l'unità possiede dei contatti XLR a 3 e 5 poli.

### Edit User

La funzione **Edit User**, presente nello stesso menu, permette di creare un profilo di funzionamento personalizzato, variando a proprio piacimento i parametri delle varie funzioni (Control, Pan, Tilt, ecc).

Una volta creato il proprio profilo personalizzato, è possibile utilizzarlo selezionando la modalità **USER** come descritto in precedenza.

### 3.12 INDIRIZZAMENTO DMX

Per il funzionamento tramite un'unità di comando luce con protocollo DMX512, è sufficiente collegare DIAMOND19TW al controller. Il proiettore dispone di configurazione dei canali DMX a cui si può accedere dal pannello di controllo. Per poter comandare DIAMOND19TW con un'unità di comando luce, occorre impostare l'indirizzo di start DMX per il primo canale DMX.

Se, per esempio, sull'unità di comando è previsto l'indirizzo 33 per comandare la funzione del primo canale DMX, si deve impostare sul DIAMOND19TW l'indirizzo di start 33. Le altre funzioni del pannello saranno assegnate automaticamente agli indirizzi successivi.

Segue un esempio con indirizzo 33 di start:

Numero canali DMX	Indirizzo di start (esempio)	Indirizzo DMX occupati	Prossimo indirizzo di start possibile per unità n°1	Prossimo indirizzo di start possibile per unità n°2	Prossimo indirizzo di start possibile per unità n°3
12	33	33-44	45	57	69
13	33	33-45	46	59	72
14	33	33-46	47	61	75
20	33	33-52	53	73	93

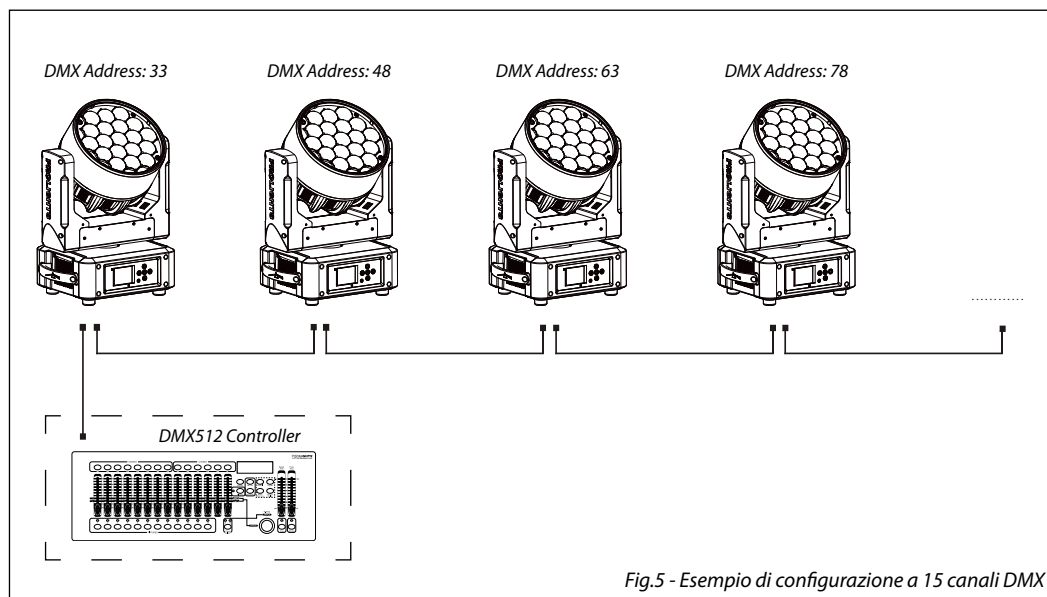
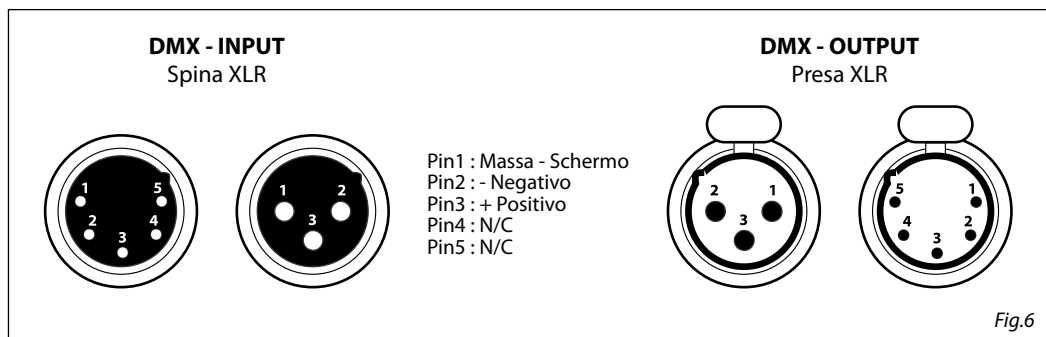


Fig.5 - Esempio di configurazione a 15 canali DMX

### 3.13 COLLEGAMENTI DELLA LINEA DMX

La connessione DMX è realizzata con connettori standard XLR. Utilizzare cavi schermati, 2 poli ritorti, con impedenza  $120\Omega$  e bassa capacità.

Per il collegamento fare riferimento allo schema di connessione riportato di seguito:



#### ATTENZIONE

La parte schermata del cavo (calza) non deve mai essere collegata alla terra dell'impianto; ciò comporterebbe malfunzionamenti delle unità e dei controller.

Per passaggi lunghi può essere necessario l'inserimento di un amplificatore DMX.

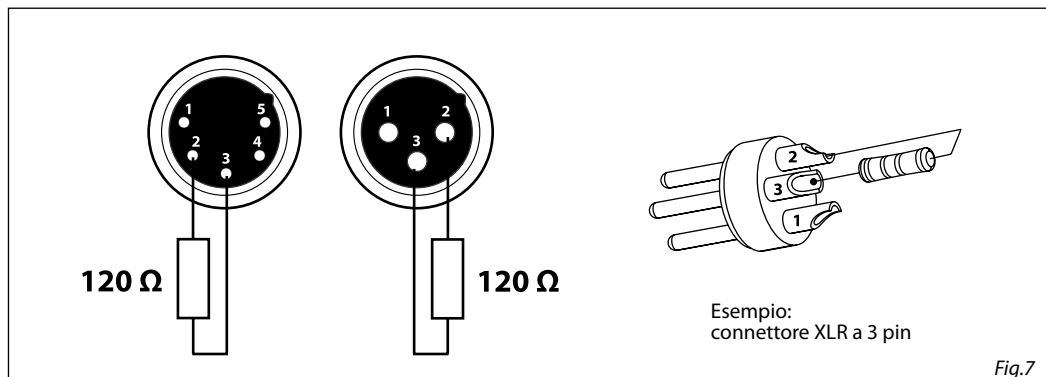
In tal caso, è sconsigliato utilizzare nei collegamenti cavo bilanciato microfonico poiché non è in grado di trasmettere in modo affidabile i dati di controllo DMX.

- Collegare l'uscita DMX del controller con l'ingresso DMX della prima unità;
- Collegare, quindi, l'uscita DMX con l'ingresso DMX della successiva unità; l'uscita di quest'ultima con l'ingresso di quella successiva e via dicendo finché tutte le unità sono collegate formando una catena.
- Per installazioni in cui il cavo di segnale deve percorrere lunghe distanze è consigliato inserire sull'ultima unità una terminazione DMX.

### 3.14 COSTRUZIONE DEL TERMINATORE DMX

La terminazione evita la probabilità che il segnale DMX 512, una volta raggiunta la fine della linea stessa venga riflesso indietro lungo il cavo, provocando, in certe condizioni e lunghezze, la sua sovrapposizione al segnale originale e la sua cancellazione.

La terminazione deve essere effettuata, sull'ultima unità della catena, con connettori XLR a 3/5 pin, saldando una resistenza di  $120\Omega$  (minimo  $1/4W$ ) tra i terminali 2 e 3, così come indicato in figura.



## 3.15 CANALI DMX

STAND	EXT-1	BAS-8	BAS-16	FUNCTION	DMX Value
13 Ch	20 Ch	12 Ch	14 Ch		
1	1	1	1	<b>PAN</b> 0~100%	000 - 255
	2		2	<b>PAN FINE</b> 0~100%	000 - 255
2	3	2	3	<b>TILT</b> 0~100%	000 - 255
	4		4	<b>TILT FINE</b> 0~100%	000 - 255
3	5	3	5	<b>MOVEMENT SPEED</b> Fastest to slowest	000 - 255
	6			<b>MOVEMENT FUNCTION</b> Normal Movement with backout TBD	000 - 015 016 - 031 032 - 255
4	7			<b>SHUTTER FUNCTION</b> Normal Shutter Functions Pulse-effect Forward Pulse-effect Reverse Random strobe TBD	000 - 015 016 - 031 032 - 047 048 - 063 064 - 255
5	8			<b>SHUTTER</b> <b>Normal Shutter Functions</b> Close Strobe Rate (slow to fast) Open <b>Pulse-effect Forward</b> Close Strobe Rate (slow to fast) Open <b>Pulse-effect Reverse</b> Close Strobe Rate (slow to fast) Open <b>Random Strobe</b> Close Strobe Rate (slow to fast) Open	000 - 031 032 - 223 224 - 255 000 - 031 032 - 223 224 - 255 000 - 031 032 - 223 224 - 255 000 - 031 032 - 223 224 - 255 000 - 031 032 - 223 224 - 255
		4	6	<b>SHUTTER</b> Shutter closed No function (shutter open) Strobe effect slow to fast	000 - 031 032 - 063 064 - 095

STAND	EXT-1	BAS-8	BAS-16	FUNCTION	DMX Value
13 Ch	20 Ch	12 Ch	14 Ch		
		4	6	No function (shutter open) Pulse-effect in sequences No function (shutter open) Random strobe effect slow to fast No function (shutter open)	096 - 127 128 - 159 160 - 191 192 - 223 224 - 255
6	9	5	7	<b>DIMMER</b> Dimmer (close to open)	000 - 255
7	10	6	8	<b>VIRTUAL COLOR FUNCTION</b> On Function CTC Function Forward Spin Reverse Spin Continuous Color Bounce TBD	000 - 015 016 - 031 032 - 047 048 - 063 064 - 079 080 - 111 112 - 255
8	11	7	9	<b>VIRTUAL COLOR 1</b> <b>CTC Function</b> Color Temperature Correction 2800K->6300K White 2800K White 3200K White 3800K White 4200K White 4600K White 5000K White 5600K White 6300K <b>Forward Spin</b> Rainbow Effect (Slow to Fast) <b>Reverse Spin</b> Rainbow Effect (Slow to Fast) <b>Continuous &amp; Color Bounce</b> Black Warm White Cool White Warm White->Cool White->Warm White	000 - 223 224 - 227 228 - 231 232 - 235 236 - 239 240 - 243 244 - 247 248 - 251 252 - 255 000 - 255 000 - 255 000 - 000 001 - 002 003 - 004 005 - 255
9	12	8	10	<b>VIRTUAL COLOR 2 (Only on Color Bounce)</b> <b>Color Bounce</b> Black Warm White	000 - 000 001 - 002

STAND	EXT-1	BAS-8	BAS-16	FUNCTION	DMX Value
13 Ch	20 Ch	12 Ch	14 Ch		
9	12	8	10	Cool White Warm White->Cool White	003 - 004 005 - 255
10	13	9	11	<b>WARM WHITE-ALL</b> WarmWhite 0 -> 100%	000 - 255
11	14	10	12	<b>COOL WHITE-ALL</b> Cool White 0 -> 100%	000 - 255
12	15	11	13	<b>ZOOM</b> Big angle -> Small angle	000 - 255
	16			<b>WARM WHITE-1</b> WarmWhite 0 -> 100%	000 - 255
	17			<b>COOL WHITE-1</b> Cool White 0 -> 100%	000 - 255
	18			<b>WARM WHITE-2</b> WarmWhite 0 -> 100%	000 - 255
	19			<b>COOL WHITE-2</b> Cool White 0 -> 100%	000 - 255
13	20	12	14	<b>CONTROL</b> Normal Reset All Pan&Tilt Reset TBD Other Reset Display Off Display On TBD TBD Hibernation TBD	000 - 007 008 - 015 016 - 023 024 - 047 048 - 055 056 - 063 064 - 071 072 - 079 080 - 087 088 - 095 096 - 255

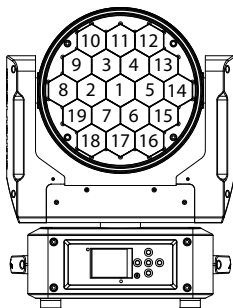


Fig.8 - Numerazione LED

### 3.16 IMPOSTAZIONE CONTROLLO WIRELESS

Per abilitare la modalità di controllo wireless procedere nel seguente modo:

- Premere il tasto ENTER per accedere al menu principale.
- Premere il tasto UP/DOWN per scorrere nel menu, selezionare l'icona **Connect**, quindi premere il tasto ENTER per accedere al menu successivo.
- Premere il tasto UP/DOWN per selezionare **Wireless DMX** e premere il tasto ENTER.
- Premere i tasti direzionali per selezionare il valore desiderato (**001-512**).
- Premere il tasto ENTER per confermare l'impostazione.

Per modificare le impostazioni di controllo wireless procedere nel seguente modo:

- Premere il tasto ENTER per accedere al menu principale.
- Premere il tasto UP/DOWN per scorrere nel menu, selezionare l'icona Set, quindi premere il tasto ENTER per accedere al menu successivo.
- Premere il tasto UP/DOWN per selezionare **Wireless Set** e premere il tasto ENTER per procedere.
- Selezionare l'opzione proposta con il tasto UP/DOWN e premere il tasto ENTER per confermare la scelta.
  1. **DMX On Cable** - Disabilita/abilita il segnale DMX via cavo. Selezionare **OFF** per disattivare la funzione oppure **ON** per attivare la funzione.
  2. **Reset Connect** - Reset della connessione wireless dell'unità. Selezionare **OFF** per disattivare la funzione oppure **ON** per attivare la funzione.
- Premere il tasto ENTER per confermare la scelta.
- Premere il tasto LEFT più volte per uscire dal menu e per salvare le modifiche apportate.

### 3.17 IMPOSTAZIONI DEL PROIETTORE

È possibile modificare i parametri relativi al dispositivo procedendo nel seguente modo:

- Premere il tasto ENTER per accedere al menu principale.
- Premere il tasto UP/DOWN per scorrere nel menu, selezionare l'icona **Set**, quindi premere il tasto ENTER per accedere al menu successivo.
- Premere il tasto UP/DOWN per selezionare **Movement** e premere il tasto ENTER per procedere.
- Selezionare l'opzione proposta con il tasto UP/DOWN e premere il tasto ENTER per confermare.
  - **Pan Reverse** - Rotazione in senso opposto della testa mobile. **OFF** per disattivare la funzione (impostazione normale); **ON** per attivare la funzione (Pan Reverse).
  - **Tilt Reverse** - Inclinazione in senso opposto della testa mobile. **OFF** per disattivare la funzione (impostazione normale), **ON** per attivare la funzione (Tilt Reverse).
  - **Pan Degree** - Angolo di Pan. Selezionare **540°** oppure **630°** per impostare l'angolo massimo di rotazione della testa mobile.
  - **Encoders** - Riassetto posizione Pan/Tilt dopo spostamento accidentale. Selezionare **OFF** per disattivare la funzione oppure **ON** per attivare la funzione.
  - **Pan/Tilt Mode** - Tipo di movimento della testa mobile. Selezionare **Standard** per ottenere dei movimenti di Pan/Tilt fluidi e veloci, **Smooth** per avere dei movimenti di Pan/Tilt più lenti e morbidi.
- Premere il tasto ENTER per confermare la scelta.
- Premere il tasto LEFT più volte per uscire dal menu e per salvare le modifiche apportate.

### 3.18 IMPOSTAZIONI LAMPADA

È possibile modificare i parametri relativi alla lampada del dispositivo procedendo nel seguente modo:

- Premere il tasto ENTER per accedere al menu principale.
- Premere il tasto UP/DOWN per scorrere nel menu, selezionare l'icona **Light**, quindi premere il tasto ENTER per accedere al menu successivo.
- Premere il tasto UP/DOWN per selezionare una delle seguenti impostazioni e premere il tasto ENTER per visualizzarla.
  - **Max Temperature** - Temperatura limite di funzionamento. Questa funzione permette di impostare la massima temperatura interna del proiettore, superata la quale la lampada del dispositivo si spe-

gnerà automaticamente. Premere i tasti direzionali per impostare la temperatura desiderata nei limiti consentiti (80°-139°). Temperature interne inferiori ai 90° C non sono critiche. Si consiglia di attivare tale funzione per temperature superiori ai 90°.

- **Lamp Adjust** - Regolazioni della lampada. Questa funzione consente di modificare tutti i parametri della lampada: **Control, Pan, Pan Fine, Tilt, Tilt Fine, Pan&Tilt Speed, Pan&Tilt Fun, Shutter Fun, Shutter, Dimmer, Color Function, Virtual Color1, Virtual Color2, Warm White All, Cool White All, Zoom, Foreground, Background, Pattern, Pattern Speed, Pattern Byte1, Pattern Byte2, Pattern Byte3, Pattern Byte4, Pattern Byte5**. Premere i tasti UP/DOWN per selezionare uno dei parametri e premere ENTER per modificarne il valore (000-255) attraverso i tasti UP/DOWN. Premere il tasto ENTER per confermare la scelta.
- Premere il tasto LEFT più volte per uscire dal menu e per salvare le modifiche apportate.

### 3.19 IMPOSTAZIONI DISPLAY

È possibile modificare i seguenti parametri, relativi al display, seguendo la medesima procedura:

- Premere il tasto ENTER per accedere al menu principale.
- Premere il tasto UP/DOWN per scorrere nel menu, selezionare l'icona **Set**, quindi premere il tasto ENTER per accedere al menu successivo.
- Premere il tasto UP/DOWN per selezionare **UI Set** e premere il tasto ENTER per procedere.
- Premere il tasto UP/DOWN per selezionare una delle seguenti impostazioni relative al display e premere il tasto ENTER per visualizzarla.
  - **Backlight** - Retroilluminazione display Auto Off. Questa funzione permette di spegnere automaticamente la retroilluminazione del display dopo un determinato tempo che può essere impostato tramite i tasti direzionali. Per avere il display sempre acceso seleziona **Always On** oppure impostare un valore di 01-99 **min** per far spegnere il display una volta trascorso il tempo scelto, dopo l'uscita dal menu.
  - **Flip Display** - Orientamento del display. Questa funzione permette di ruotare il display di 180° per ottenere una migliore visualizzazione del display quando l'unità è appesa a testa in giù. Selezionare **ON** per attivare la funzione oppure **OFF** per disattivarla.
  - **Display Bright** - Intensità illuminazione. Usare i tasti direzionali per selezionare un valore da 0-31.
  - **Brand Show** - Visualizzazione del brand. Questa funzione permette di scegliere se visualizzare o meno il brand "PROLIGHTS" sul display: **ON** per attivare la funzione oppure **OFF** per disattivarla.
  - **Key lock** - Blocco tasti. Con questa funzione è possibile bloccare i tasti del pannello di controllo, per evitare, ad esempio, manomissioni delle impostazioni. Se questa funzione viene attivata, i tasti vengono bloccati automaticamente. Per disattivare o temporaneamente o disattivare la funzione di blocco tasti, premere i tasti nel seguente ordine per riottenere l'accesso ai comandi di menu: SU, GIÙ, SINISTRA, DESTRA, ENTER. Selezionare **ON** per attivare la funzione oppure **OFF** per disattivarla.
  - **Language select** - Selezione lingua display. Questa funzione permette di scegliere la lingua desiderata per il menu. Premere il tasto ENTER per confermare la scelta.
- Premere il tasto LEFT più volte per uscire dal menu e per salvare le modifiche apportate.

### 3.20 INFORMAZIONI SUL DISPOSITIVO

Per visualizzare tutte le informazioni sul dispositivo procedere nel seguente modo:

- Premere il tasto ENTER per accedere al menu principale.
- Premere il tasto UP/DOWN per selezionare l'icona **Information**, quindi premere il tasto ENTER per accedere al menu successivo.
- Premere il tasto UP/DOWN per scorrere nel menu, quindi selezionare una delle seguenti informazioni e premere il tasto ENTER per visualizzarla.
  - **Time Information** - Attraverso la funzione **Time information** è possibile visualizzare sul display il tempo di funzionamento del proiettore.
  - **Temperature** - Attraverso la funzione **Temperature** è possibile visualizzare sul display la temperatura presente all'interno della testa mobile, dove è situata la lampada. La temperatura può essere visualizzata.



lizzata in gradi Celsius o Fahrenheit (vedi pagina 31).

- **Fans Speed** - Attraverso la funzione **Fans Speed** è possibile visualizzare sul display la velocità della ventola presente vicino la lampada. La misura della velocità è espressa in RPM (giri per minuto).
- **Channel Value** - Attraverso la funzione **Channel Value** è possibile visualizzare sul display i valori dei canali con cui l'unità funzionerà una volta accesa.
- **Error Message** - Attraverso la funzione **Error Message** è possibile visualizzare sul display gli eventuali errori dei canali.
- **Fixture Model** - Attraverso la funzione **Fixture Model** è possibile visualizzare sul display il codice del modello e il nome del produttore.
- **Software Version** - Attraverso la funzione **Software Version** è possibile visualizzare sul display la versione del software installata. Premere il tasto LEFT più volte per uscire dal menu.

### 3.21 RESET DELLE FUNZIONI

È possibile avviare un programma preimpostato per ripristinare la funzione selezionata:

- Premere il tasto ENTER per accedere al menu principale.
- Premere il tasto UP/DOWN per scorrere nel menu, selezionare l'icona **Set**, quindi premere il tasto ENTER per accedere al menu successivo.
- Premere il tasto UP/DOWN per selezionare **Reset** e premere il tasto ENTER per accedere al menu successivo.
- Premere il tasto UP/DOWN per scorrere nel menu, quindi selezionare la funzione che si desidera resettare fra **All**, **Pan&Tilt** e **Others**.
- Premere il tasto ENTER per confermare la scelta ed attendere il ripristino della funzione selezionata.

### 3.22 FUNZIONI SPECIALI

Per DIAMOND19TW è possibile accedere alle seguenti funzioni speciali:

#### No Signal

Selezionare questa funzione per impostare la modalità di funzionamento preferita da attivare nel caso in cui nell'unità non sia presente alcun segnale DMX di ingresso:

- Premere il tasto ENTER per accedere al menu principale.
- Premere il tasto UP/DOWN per scorrere nel menu, selezionare l'icona **Set**, quindi premere il tasto ENTER per accedere al menu successivo.
- Premere il tasto UP/DOWN per selezionare **UI Set** e premere il tasto ENTER per accedere al menu successivo.
- Premere il tasto UP/DOWN per scorrere nel menu, quindi selezionare **No Signal** e premere il tasto ENTER per confermare.
- Premere il tasto UP/DOWN per selezionare la modalità di funzionamento preferita: **Close/Hold/Auto/Music**.
- Premere il tasto ENTER per confermare la scelta.
- Premere il tasto LEFT più volte per uscire dal menu e per salvare le modifiche apportate.

#### Fans Mode

Selezionare questa funzione per impostare la modalità di funzionamento delle ventole:

- Premere il tasto ENTER per accedere al menu principale.
- Premere il tasto UP/DOWN per scorrere nel menu, selezionare l'icona **Set**, quindi premere il tasto ENTER per accedere al menu successivo.
- Premere il tasto UP/DOWN per selezionare **UI Set** e premere il tasto ENTER per procedere.
- Premere il tasto UP/DOWN per scorrere nel menu, quindi selezionare **Fans Mode** e premere il tasto ENTER per confermare.
- Premere il tasto UP/DOWN per selezionare la modalità **Auto Speed/High Speed**, quindi premere il tasto ENTER per confermare la scelta.

- Premere il tasto LEFT più volte per uscire dal menu e per salvare le modifiche apportate.

### Theater Mode

Selezionare questa funzione ove si desidera una minor rumorosità della macchina; l'output del LED sarà limitato per diminuire il riscaldamento e la velocità delle ventole:

- Premere il tasto ENTER per accedere al menu principale.
- Premere il tasto UP/DOWN per scorrere nel menu, selezionare l'icona **Set**, quindi premere il tasto ENTER per accedere al menu successivo.
- Premere il tasto UP/DOWN per selezionare **Fixture Set** e premere il tasto ENTER per procedere.
- Premere il tasto UP/DOWN per selezionare la modalità **Off/On**, quindi premere il tasto ENTER per confermare la scelta. Premere il tasto LEFT più volte per uscire dal menu e per salvare le modifiche apportate.

### Frequency

Selezionare questa funzione per modificare la frequenza dei LED:

- Premere il tasto ENTER per accedere al menu principale.
- Premere il tasto UP/DOWN per scorrere nel menu, selezionare l'icona **Set**, quindi premere il tasto ENTER per accedere al menu successivo.
- Premere il tasto UP/DOWN per selezionare **Fixture Set** e premere il tasto ENTER per procedere.
- Premere il tasto UP/DOWN per selezionare la frequenza desiderata (**600/1200/2000/2400/4000 Hz/25 kHz**), quindi premere il tasto ENTER per confermare la scelta.
- Premere il tasto LEFT più volte per uscire dal menu e per salvare le modifiche apportate.

### Hibernation

Selezionare questa funzione per attivare la modalità standby nell'unità. Tale funzione si attiverà automaticamente dopo un periodo di inattività, definito dall'utente, senza segnale DMX in ingresso. Nella modalità standby la lampada e tutti i motori non verranno alimentati se nessun segnale viene inviato all'unità per un periodo definito dall'utente. L'unità farà un reset automatico e tornerà operativa non appena viene inviato il segnale DMX.

- Premere il tasto ENTER per accedere al menu principale.
- Premere il tasto UP/DOWN per scorrere nel menu, selezionare l'icona **Set**, quindi premere il tasto ENTER per accedere al menu successivo.
- Premere il tasto UP/DOWN per selezionare **UI Set** e premere il tasto ENTER per accedere al menu successivo.
- Premere il tasto UP/DOWN per scorrere nel menu, quindi selezionare **Hibernation** e premere il tasto ENTER per confermare.
- Selezionare il tempo desiderato attraverso i tasti direzionali oppure selezionare **Not Hibernation** per disabilitare tale funzione, quindi premere il tasto ENTER per confermare la scelta.
- Premere il tasto LEFT più volte per uscire dal menu e per salvare le modifiche apportate.

### Fixture ID e RDM

DIAMOND19TW possiede la funzione di RDM (Remote Device Management) che rende possibile il controllo remoto di dispositivi connessi via DMX. Con questa funzione è possibile richiamare i vari sottomenu dell'unità.

Le impostazioni manuali, come ad esempio la regolazione dell'indirizzo DMX di partenza, non sono più necessarie. Questa funzione diventa particolarmente utile quando il dispositivo è installato in una zona remota. La tecnologia RDM si integra nel DMX senza influenzare la connessione. I dati RDM vengono trasmessi tramite lo standard XLR a poli 1 e 2. Per questo non sono necessari cavi DMX appositi. Tecnologia RDM e convenzionali dispositivi DMX possono operare in un'unica linea DMX. Se vengono utilizzati splitter DMX e viene usato un controller RDM, gli splitter devono supportare il protocollo RDM. Il numero e il tipo di parametri RDM dipendono dal controller (non incluso) utilizzato.

- Premere il tasto ENTER per accedere al menu principale.
- Premere il tasto UP/DOWN per scorrere nel menu, selezionare l'icona **Set**, quindi premere il tasto ENTER per accedere al menu successivo.
- Premere il tasto UP/DOWN per selezionare **Fixture ID** e premere il tasto ENTER per accedere al menu successivo.
- Premere il tasto UP/DOWN per scorrere nel menu, quindi selezionare **Password** e premere il tasto ENTER per confermare.
- Tramite i tasti direzionali inserire la password **050** e premere il tasto ENTER per confermare.
- Una volta inserita la password è possibile impostare il PID Code, necessario per controllare l'unità con il protocollo RDM. Premere il tasto UP/DOWN per scorrere nel menu, quindi selezionare **PID Code** e premere il tasto ENTER per confermare.
- Attraverso i tasti direzionali inserire il PID Code, quindi premere il tasto ENTER per confermare la scelta.
- Premere il tasto LEFT più volte per uscire dal menu e per salvare le modifiche apportate.

### Calibration

Selezionare questa funzione per calibrare e regolare le ruote degli effetti nelle loro posizioni corrette:

- Premere il tasto ENTER per accedere al menu principale.
- Premere il tasto UP/DOWN per scorrere nel menu, selezionare l'icona **Set**, quindi premere il tasto ENTER per accedere al menu successivo.
- Premere il tasto UP/DOWN per selezionare **Calibration** e premere il tasto ENTER per procedere.
- Premere il tasto UP/DOWN per scorrere nel menu, quindi selezionare **Password** e premere il tasto ENTER per confermare.
- Tramite i tasti direzionali inserire la password 050 e premere il tasto ENTER per confermare.
- Una volta inserita la password è possibile impostare i valori di **Pan, Tilt**. Premere il tasto UP/DOWN per scorrere nel menu, quindi selezionare una delle funzioni appena citate e premere il tasto ENTER per confermare la scelta.
- Attraverso i tasti direzionali inserire il valore desiderato, quindi premere il tasto ENTER per confermare la scelta. Premere il tasto LEFT più volte per uscire dal menu e per salvare le modifiche apportate.

### Reload Default

Selezionare questa funzione per ripristinare l'unità alle impostazioni di fabbrica:

- Premere il tasto ENTER per accedere al menu principale.
- Premere il tasto UP/DOWN per scorrere nel menu, selezionare l'icona **Set**, quindi premere il tasto ENTER per accedere al menu successivo.
- Premere il tasto UP/DOWN per selezionare **Reload Default** e premere il tasto ENTER per procedere.
- Premere il tasto UP/DOWN per selezionare la modalità di ripristino preferita **Basic Reload/Program Reload/Private Reload/All Reload**, quindi premere il tasto ENTER per confermare.
- Premere i tasti UP/DOWN per selezionare **ON** oppure **OFF**, quindi premere il tasto ENTER per confermare.

### Temperature C/F

Selezionare questa funzione per impostare l'unità di misura della temperatura visualizzata sul display:

- Premere il tasto ENTER per accedere al menu principale.
- Premere il tasto UP/DOWN per scorrere nel menu, selezionare l'icona **Set**, quindi premere il tasto ENTER per accedere al menu successivo.
- Premere il tasto UP/DOWN per selezionare **UI Set** e premere il tasto ENTER per procedere.
- Premere il tasto UP/DOWN per scorrere nel menu, quindi selezionare **Temperature C/F** e premere il tasto ENTER per confermare.
- Premere il tasto UP/DOWN per selezionare l'unità di misura **Celsius/Fahrenheit**, quindi premere il tasto ENTER per confermare la scelta.
- Premere il tasto LEFT più volte per uscire dal menu e per salvare le modifiche apportate.

## - 4 - MANUTENZIONE

### 4.1 MANUTENZIONE E PULIZIA DEL SISTEMA OTTICO

- Durante gli interventi, assicurarsi che l'area sotto il luogo di installazione sia libera da personale non qualificato.
- Spegnerne l'unità, scollegare il cavo di alimentazione ed aspettare finché l'unità non si sia raffreddata.
- Tutte le viti utilizzate per l'installazione dell'unità e le sue parti dovrebbero essere assicurate saldamente e non dovrebbero essere corrose.
- Alloggiamenti, elementi di fissaggio e di installazione (soffitto, truss, sospensioni) dovrebbero essere totalmente esenti da qualsiasi deformazione.
- Quando una lente ottica è visibilmente danneggiata a causa di rotture o graffi profondi, deve essere sostituita.
- I cavi di alimentazione devono essere in condizione impeccabile e dovrebbero essere sostituiti immediatamente nel momento in cui anche un piccolo problema viene rilevato.
- Al fine di proteggere l'unità da surriscaldamento, le ventole di raffreddamento (e nel caso) le aperture di ventilazione, devono essere pulite mensilmente.

Per mantenere funzionalità e rendimento ottimali per lungo tempo è indispensabile effettuare una pulizia periodica delle parti soggette all'accumulo di polveri e grassi. La frequenza con la quale effettuare le operazioni sotto indicate dipende da diversi fattori, quali la quantità di movimenti degli effetti e la qualità dell'ambiente di lavoro (umidità dell'aria, presenza di polvere, salsedine, ecc.). Per rimuovere lo sporco dal riflettore, dalle lenti e dai filtri usare un panno morbido inumidito di un qualsiasi liquido detergente per la pulizia del vetro. Annualmente si consiglia di sottoporre il proiettore a personale tecnico qualificato per una manutenzione straordinaria consistente almeno nelle seguenti operazioni:

- Pulizia generale delle parti interne.
- Ripristino della lubrificazione di tutte le parti soggette ad attrito tramite l'utilizzo di lubrificanti appropriati.
- Controllo visivo generale di componenti interni, cablaggio, parti meccaniche, ecc.
- Controlli elettrici, fotometrici e funzionali; eventuali riparazioni.

Attenzione: consigliamo che la pulizia interna sia eseguita da personale qualificato!

### 4.2 SOSTITUZIONE FUSIBILE

1. Assicurarsi di scollegare il cavo di alimentazione del proiettore prima di sostituire un fusibile bruciato.
2. Con un cacciavite, rimuovere il portafusibile dalla sua sede e il fusibile bruciato dal suo supporto; sostituire il fusibile con uno identico per tipologia e valore.
3. Inserire il portafusibile al suo posto e ricollegare l'alimentazione.

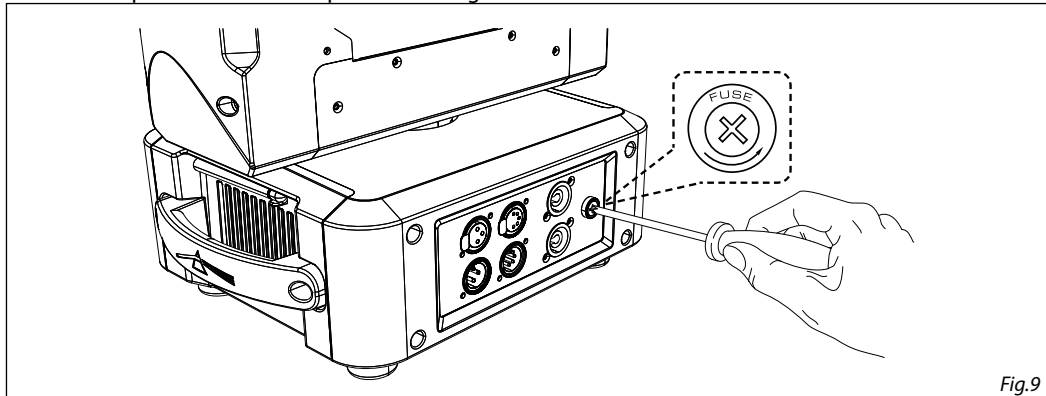


Fig.9

## 4.3 RISOLUZIONE DEI PROBLEMI

Anomalie	Possibili cause	Controlli e rimedi
Il proiettore non illumina	<ul style="list-style-type: none"> <li>• Mancanza di alimentazione di rete</li> <li>• Dimmer impostato a 0</li> <li>• Tutti i colori impostati a 0</li> <li>• LED difettoso/i</li> <li>• Scheda LED difettosa</li> </ul>	<ul style="list-style-type: none"> <li>• Verificare la presenza della tensione alimentazione</li> <li>• Incrementare i valori del canale dimmer</li> <li>• Incrementare i valori dei canali colori</li> <li>• Sostituire scheda LED</li> <li>• Sostituire scheda LED</li> </ul>
Bassa intensità di luce generale	<ul style="list-style-type: none"> <li>• Lenti sporche</li> <li>• Lente disallineata</li> </ul>	<ul style="list-style-type: none"> <li>• Pulire il dispositivo regolarmente</li> <li>• Installare il gruppo ottico correttamente</li> </ul>
Il proiettore non è alimentato	<ul style="list-style-type: none"> <li>• Mancanza di alimentazione di rete</li> <li>• Cavo di alimentazione danneggiato</li> <li>• Alimentatore interno difettoso</li> </ul>	<ul style="list-style-type: none"> <li>• Verificare la presenza della tensione alimentazione</li> <li>• Controllare il cavo di alimentazione</li> <li>• Sostituire l'alimentatore interno</li> </ul>
Il proiettore non risponde al DMX	<ul style="list-style-type: none"> <li>• Indirizzamento DMX errato</li> <li>• Cavo di segnale DMX difettoso</li> <li>• Rimbalzo segnale DMX</li> </ul>	<ul style="list-style-type: none"> <li>• Controllare il pannello di controllo e l'indirizzamento delle unità</li> <li>• Controllare il cavo di segnale DMX</li> <li>• Installare una terminazione DMX come suggerito</li> </ul>

Rivolgersi a un centro di assistenza tecnico autorizzato nel caso in cui il problema non sia riportato in tabella.





**PROLIGHTS** è un brand di proprietà della Music & Lights S.r.l.      **PROLIGHTS** is a brand of Music & Lights S.r.l. .company.      ©2018 Music & Lights S.r.l.

A decorative graphic consisting of 25 horizontal grey bars of varying lengths, arranged in a slightly staggered pattern across the right side of the page.